

## Technical Guide



# WIREWORLD

Release date:

July 2023

**Please Note:** The information shown in this literature is accurate as at the date of release shown but may be subject to changes after such date. Please therefore ensure that you are viewing the most current product available and check with us if you have any doubt about the suitability of the product or accuracy of the information shown.

## IMPORTANT PLEASE NOTE

The information contained in this literature is for illustrative purposes only to assist in choosing your desired kitchen. While we endeavour to keep the information up to date and correct we do not make any representations or warranties of any kind, express or implied, about the completeness, accuracy, reliability and suitability of the doors and products that appear in this literature.

We aim to showcase as many different items as possible and therefore some products have been installed and photographed purely to show as many of our product features as possible and they should not be taken as an example of how they are intended to be installed in real kitchen installations.

**It is therefore the responsibility of the installer to check the corresponding manufacturer's installation information and the manufacturer's technical information to ensure this is up to date and to ensure that the products can be fitted in a way they are displayed and the products are suitable for your requirements.**

We specifically exclude any liability in this regard unless the products are fitted in accordance with the specifications we supply and the manufacturer's installation recommendations are used in a way recommended by the manufacturer and in accordance with the manufacturer's technical information provided.

The information shown in this literature is accurate as at the date of print/release shown on such information but it may be subject to changes after such date. Please therefore ensure that you are viewing the most current product information available and check with us if you have any doubt about the suitability of the product or accuracy of the information shown.

We are proud that all our products that we sell are covered by a statutory warranty but this does not stop all our products naturally ageing over time. As a result of this natural ageing process we are therefore unable to provide an identical colour finish to the existing products you have purchased from us with any products that we supply you from the same product line. In such event our liability will be limited to the purchase price paid for the product you are seeking to replace.

Due to the limitations on photographic reproduction, colours may differ slightly from the actual products shown. Please note that board matches listed with the doors are a suggestion only and better board matches may be available on the market, it is up to the individual to decide on the suitability.

# Contents

Click on the section you need to go straight to the page.

<b>Pull Out Base</b> -150mm, chrome .....	04
<b>Pull Out Base</b> -150mm, anthracite .....	08
<b>Pull Out Towel Rail</b> -150mm, chrome .....	12
<b>Pull Out Base</b> - 300mm, chrome .....	16
<b>Pull Out Base</b> - 300mm, anthracite .....	19
<b>Angolo Pull Out Shelves</b> - chrome/anthracite .....	23
<b>Corner Pull Out Unit</b> - chrome/anthracite .....	35
<b>Massimo Pull Out Unit</b> - grey/anthracite .....	41
<b>Tall Larder Pull Out Unit</b> - grey .....	51
<b>Tall Larder Pull Out Unit</b> - anthracite .....	62
<b>Soft Closing Pull Out Baskets</b> .....	73
<b>Under Sink Pull Out</b> .....	76
<b>1/2 Chrome Carousel</b> .....	79
<b>3/4 Chrome Carousel</b> .....	79

# Wirework

## PULL OUT BASE - 150mm, Chrome

### Features:

- Cabinet width: 150mm
- Minimum internal cabinet depth: 450mm
- Soft close mechanism
- 25kg loading capacity

PRODUCT CODE	ART. NO.	DESCRIPTION
JDY001	1104	150 PULL OUT BASE - CHROME





# SCHEDA TECNICA DI PRODOTTO

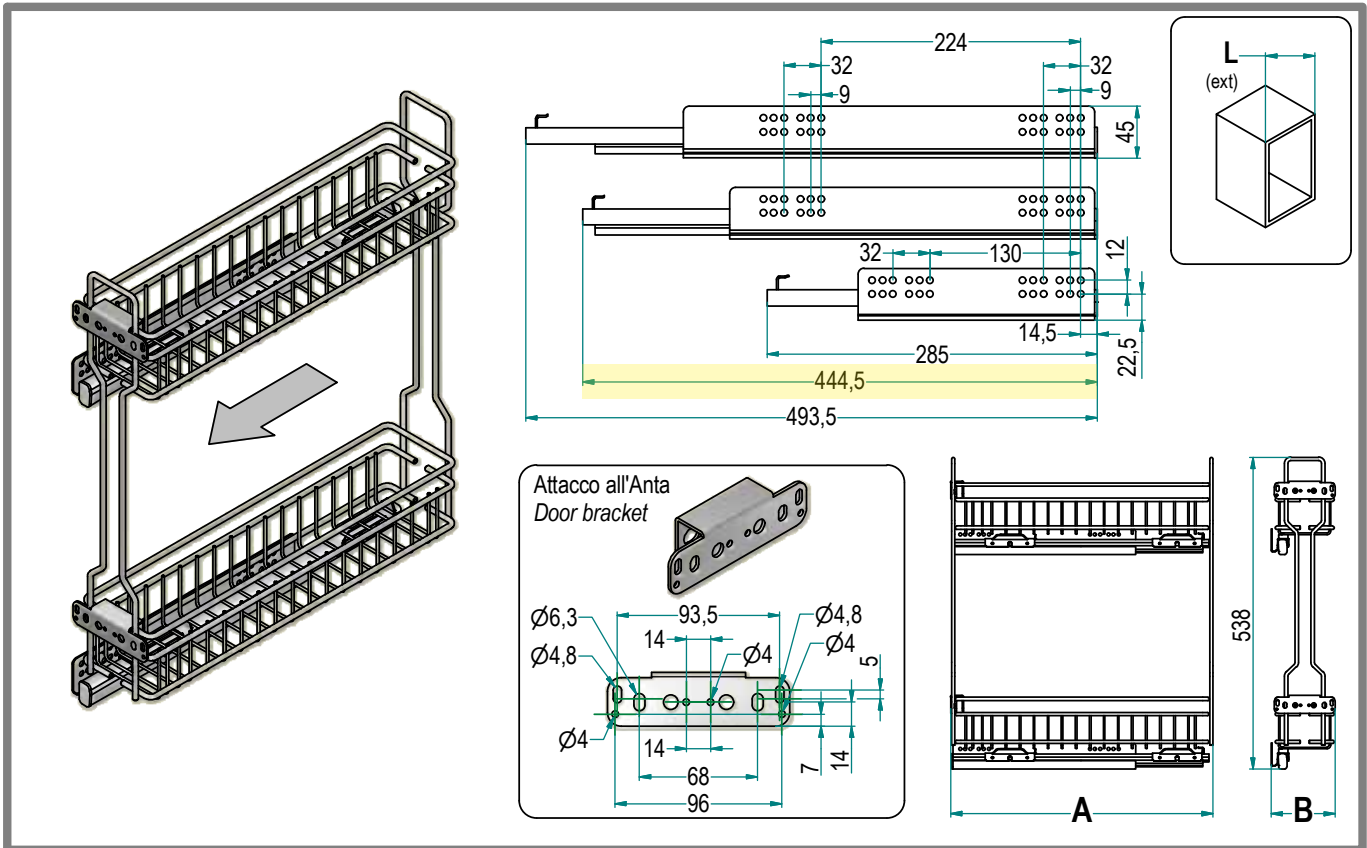
## Product Tech Datasheet

(in ottemperanza alla Legge 126/91 e al D.L. 101/97)

### Serie Gold - Gold Range

Cestello Jolly Estraibile con guide laterali sinistre  
 Extractable Jolly basket with guide rails on the left-hand side

Art. 1104



<b>1104 Y / 15 - 50 C</b> Optional Y: Soft-Closing	<b>Finitura / Finish</b> C Cesto Cromato Chromed Basket	<b>Profondità / Depth</b>		<b>Larghezza / Width</b>	
			A [mm]	L (cm)	B [mm]
		28	290	15	111
		45	455	20	155
		50	560	25	205

<b>Caratteristiche Principali</b>  <b>Main Features</b>	o Estrazione Guida Totale o Portata statica Guida: 245 N (25kg) o Portata dinamica Guida: 196 N (20 kg) o Cromatura Galvanica con assenza totale di residui tossici o Materiale Tondino metallico: Ferro Fe360, vari diametri o Soft-Close disponibile su richiesta	o Totally extractable guides o Static load limit: 245 N (25kg) o Dynamic load limit: 196 N (20 kg) o Galvanic Chromium Plating without toxic residues o Metal bar material: Iron Fe360, different diameters o Soft-close available as Optional
<b>Manutenzione</b> <b>Maintenance</b>	Pulire con un panno morbido ed asciutto. Evitare l'uso di solventi e/o abrasivi. Clean with a soft, dry cloth. Avoid using solvents or abrasive.	
<b>Istruzioni d'uso</b> <b>Use manual</b>	Il prodotto è adatto ad usi alimentari. Consultare le INDICAZIONI DI MONTAGGIO per l'installazione del prodotto. Product is suitable for alimentary purposes. See ASSEMBLY INSTRUCTIONS of product installation.	

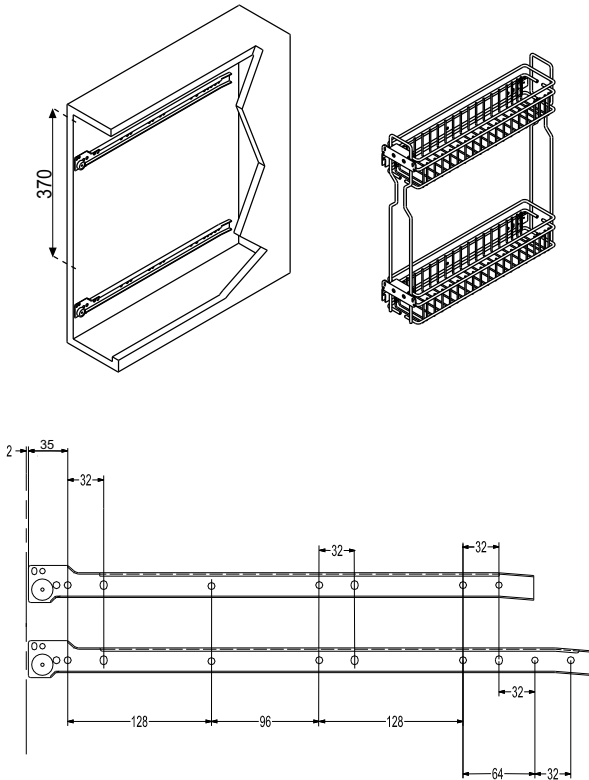
Ufficio Tecnico INOXA s.r.l. Via dell'Industria 28/30 - 60020 Polverigi (AN) - www.inoxa.it	Documento NR. 058/2012	Data Revisione 26/02/2013	Rev. 02
--	---------------------------	------------------------------	------------



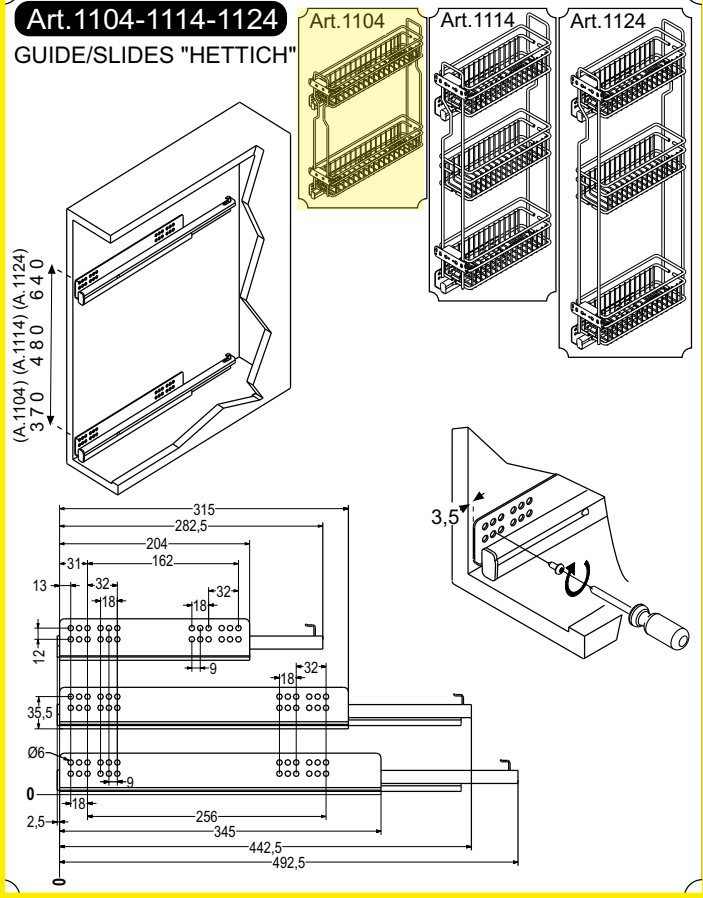
**SISTEMA DI MONTAGGIO CONSIGLIATO PER ART.108-1104-1106-1114-1124-2104S-3104**  
**ASSEMBLY SUGGESTED INSTRUCTIONS FOR ART.108-1104-1106-1114-1124-2104S-3104**

**FISSAGGIO GUIDE AL MOBILE. - Fix the rails onto the cabinet.**

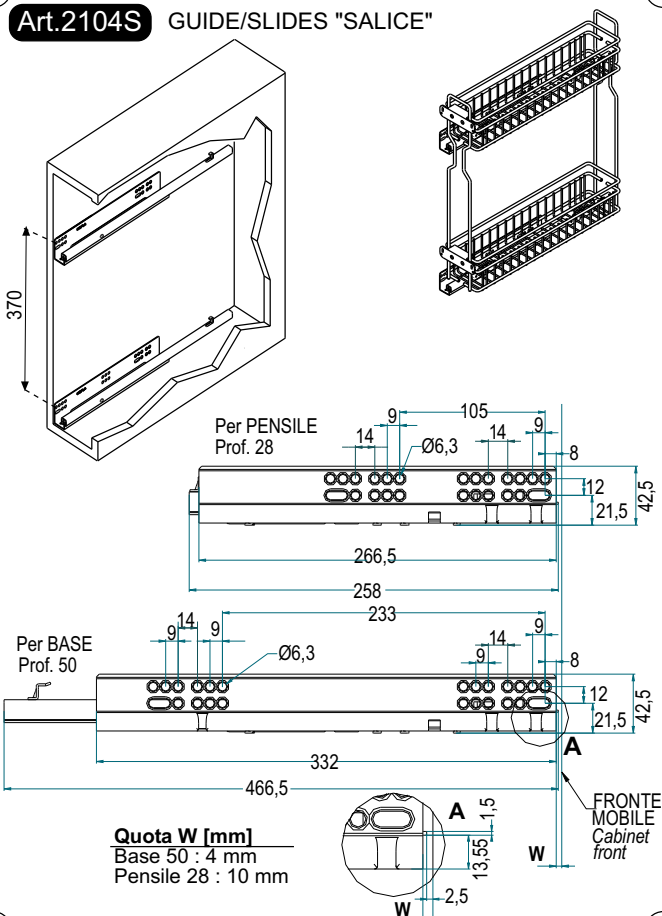
**Art.108** GUIDE/SLIDES "DONATI"



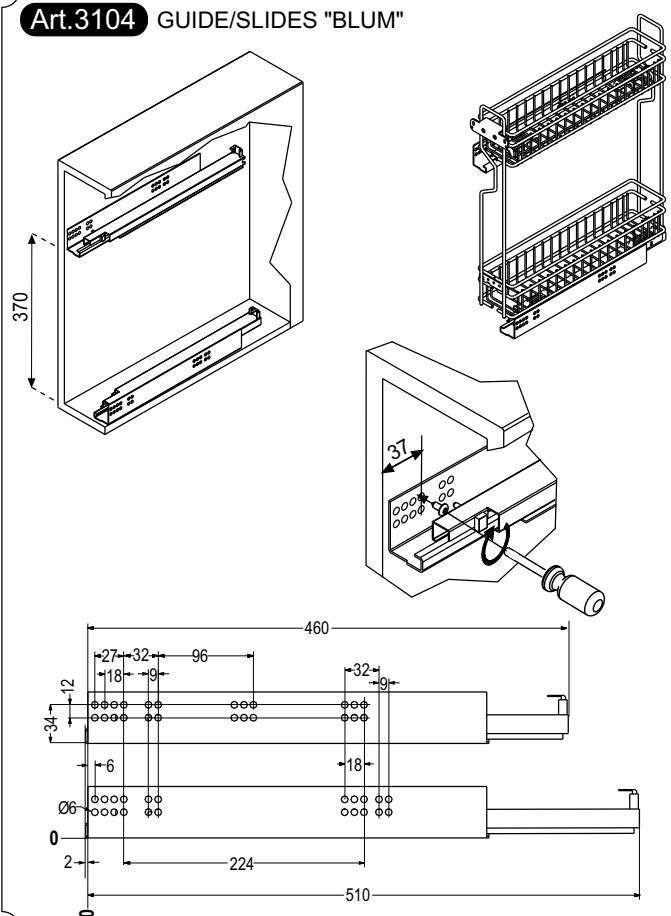
**Art.1104-1114-1124** GUIDE/SLIDES "HETTICH"



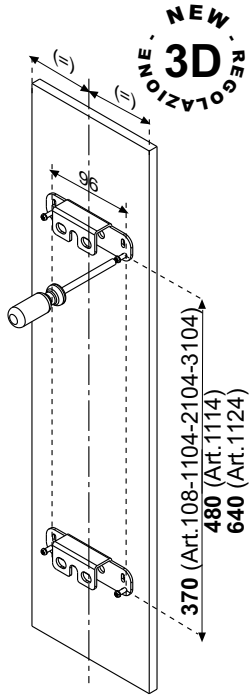
**Art.2104S** GUIDE/SLIDES "SALICE"



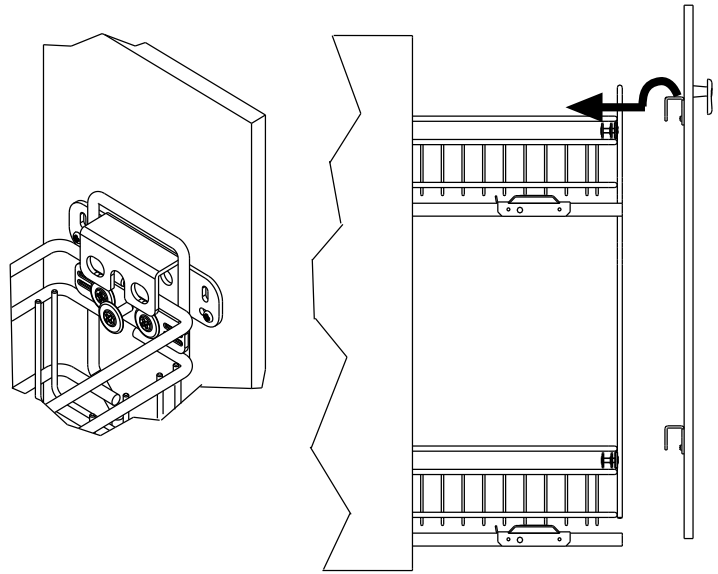
**Art.3104** GUIDE/SLIDES "BLUM"



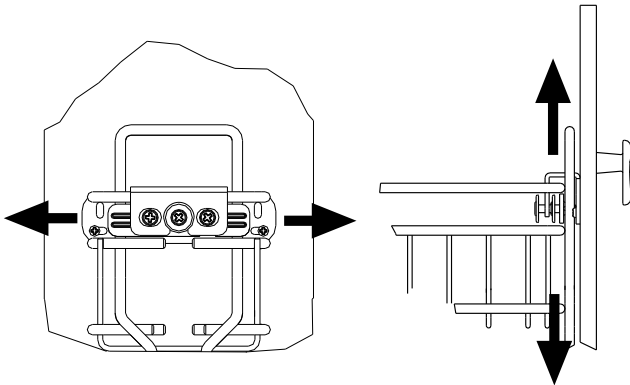
MONTAGGIO PIASTRINI SU ANTA.  
Fix brackets onto the door.



POSIZIONARE ANTA SU CESTO.  
Mount the door onto the basket

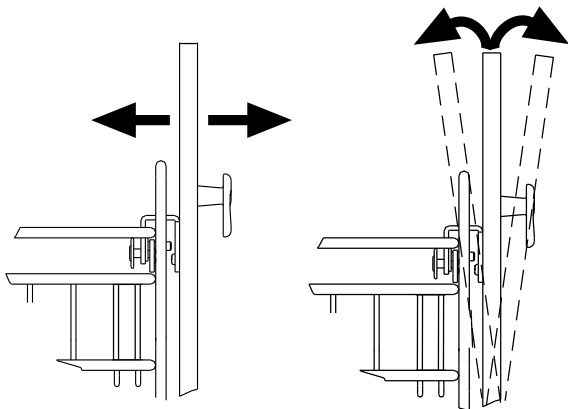


**REGOLAZIONI 3D - Adjust 3D**



ORIZZONTALE  
Horizontal

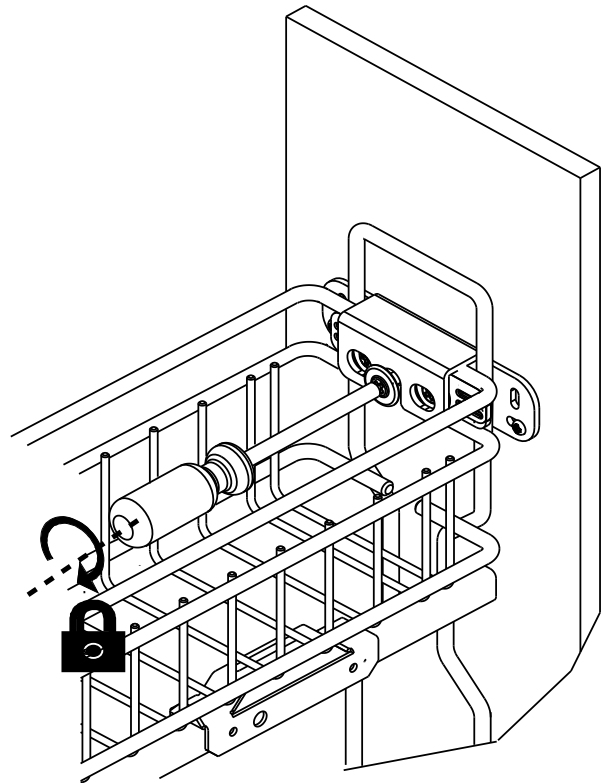
VERTICALE  
Vertical



PROFONDITA'  
Depth

INCLINAZIONE  
Incline

SERRAGGIO ANTA  
AL CESTO  
Tighten the door  
onto  
the basket



# Wirework

## PULL OUT BASE - 150mm, Anthracite

### Features:

- Cabinet width: 150mm
- Minimum internal cabinet depth: 455mm
- Soft close mechanism
- 40kg loading capacity

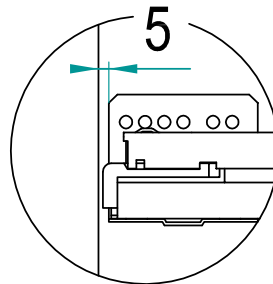
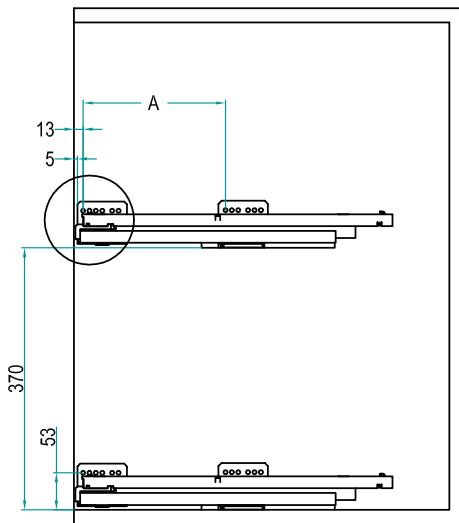
PRODUCT CODE	ART. NO.	DESCRIPTION
JEL001	5104E	150 PULL OUT BASE - ANTHRACITE



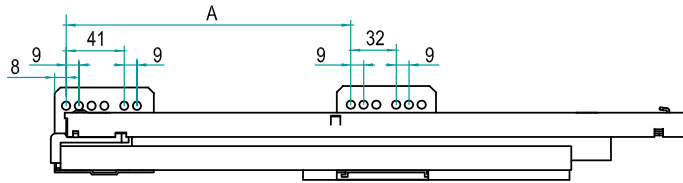




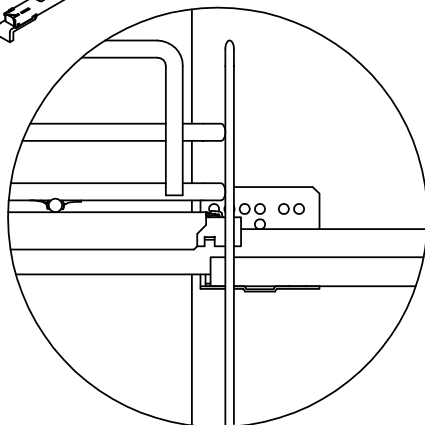
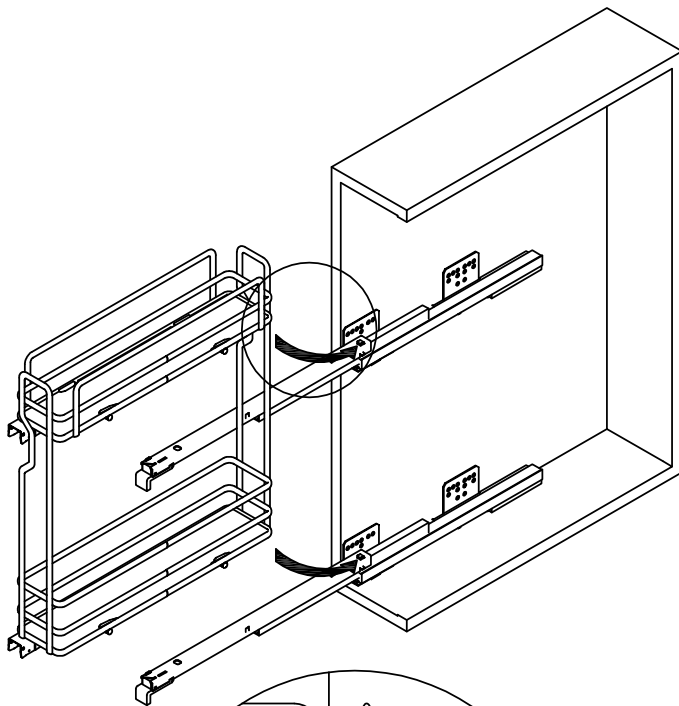
**1**



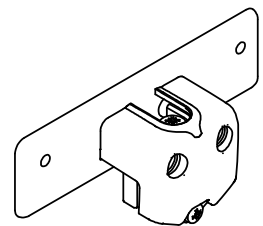
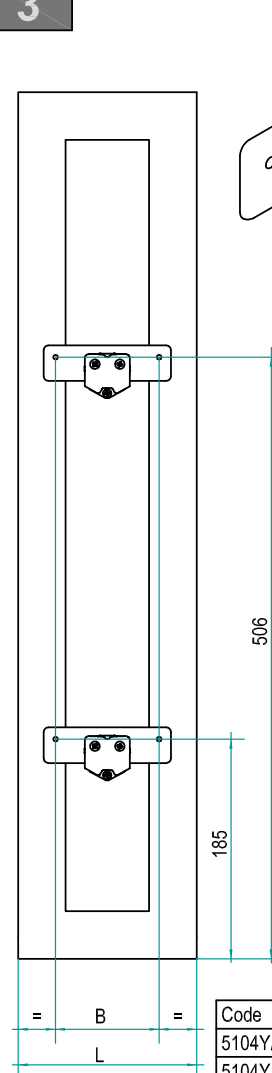
Code	A [mm]
5104Y/-28	104,5
5104Y/-45	201
5104Y/-50	201



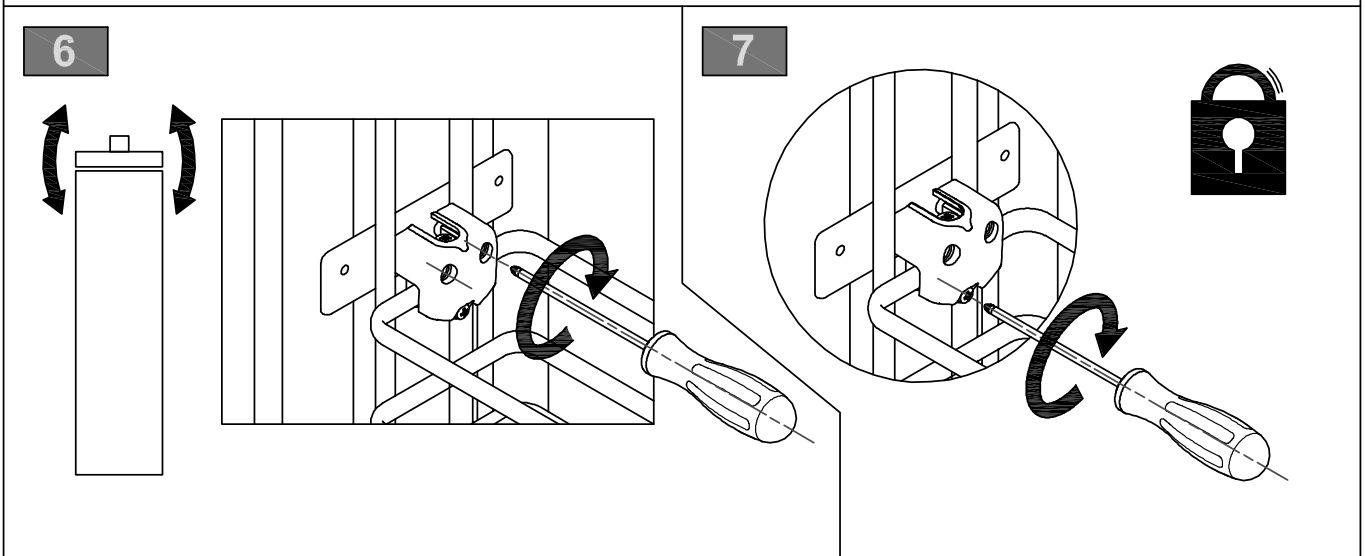
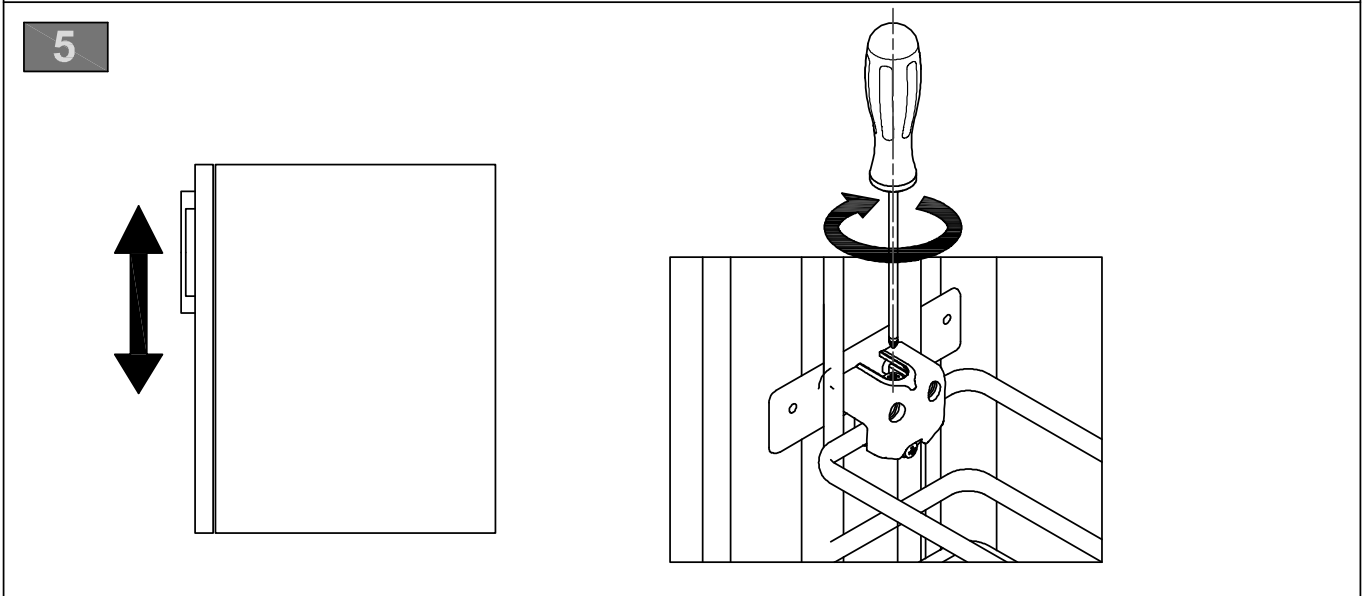
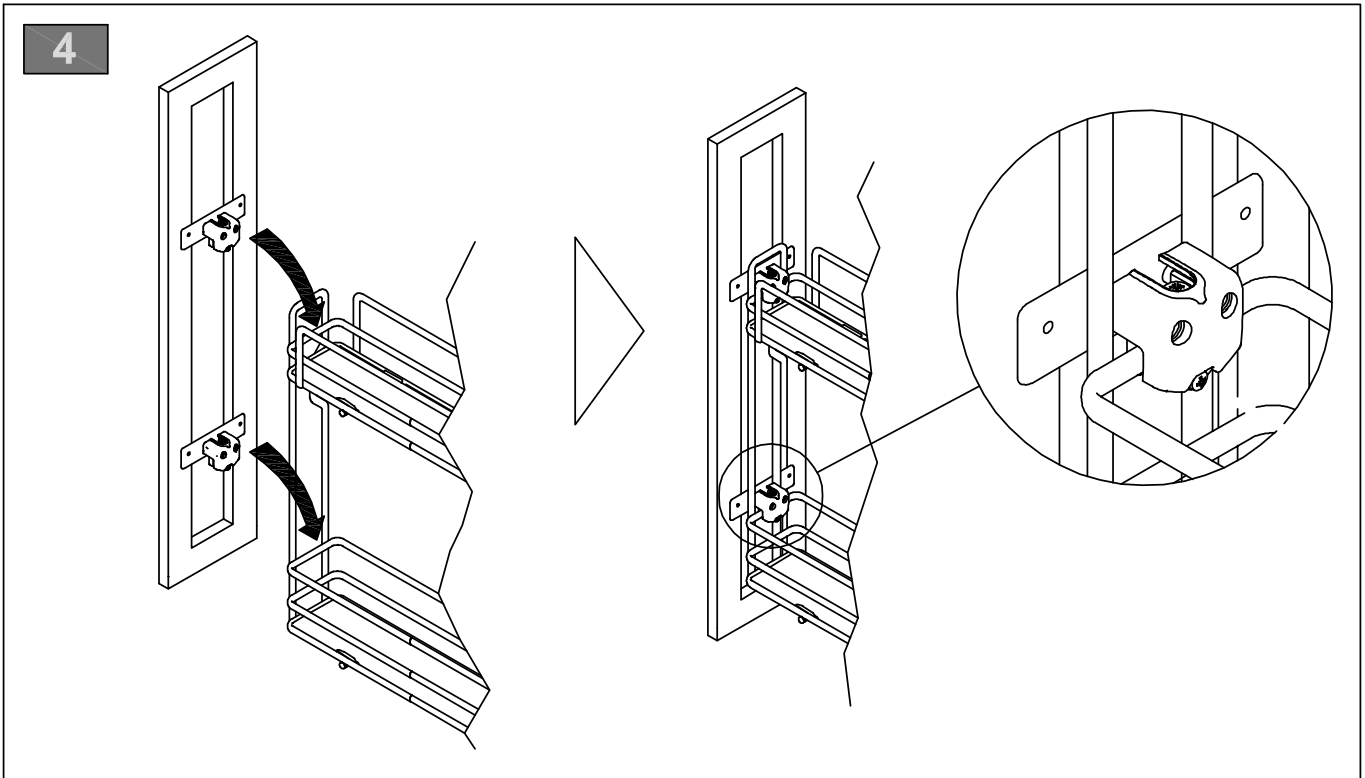
**2**



**3**



Code	L [mm]	B [mm]
5104Y/15	150	87
5104Y/20	200	137



# Wirework

## PULL OUT TOWEL RAIL - 150mm, Chrome

### Features:

- Cabinet width: 150mm
- Minimum internal cabinet depth: 450mm
- Soft close mechanism
- 25kg loading capacity

PRODUCT CODE	ART. NO.	DESCRIPTION
JDY015	1106	150 PULL OUT TOWEL RAIL - CHROME





# SCHEDA TECNICA DI PRODOTTO

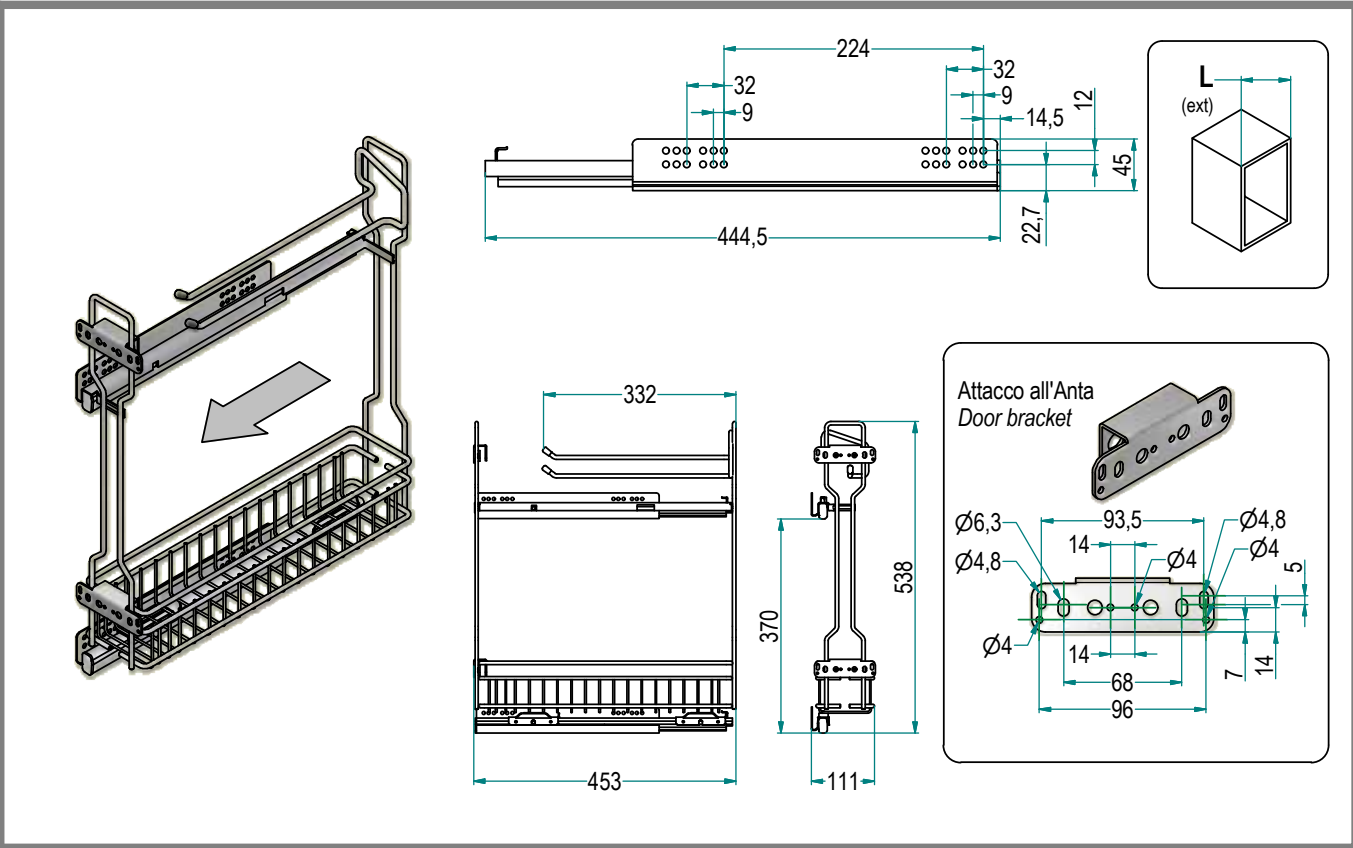
## Product Tech Datasheet

(in ottemperanza alla Legge 126/91 e al D.L. 101/97)

### Serie Gold - Gold Range

Cestello Jolly portastrofinacci estraibile con guide laterali sinistre  
 Extractable Jolly towel-holder basket with guide rails on the left-hand side

**Art. 1106**



<b>1106 Y / 15 - 45 C</b>	<b>Profondità / Depth</b>		<b>Larghezza / Width</b>	
	A [mm]		L (cm)	B [mm]
	45	453	15	111
	<b>Finitura / Finish</b>			
	C Cesto Cromato / Chromed Basket			

<b>Caratteristiche Principali</b>  <b>Main Features</b>	<ul style="list-style-type: none"> <li>o Estrazione Guida Totale</li> <li>o Portata statica Guida: 245 N (25kg)</li> <li>o Portata dinamica Guida: 196 N (20 kg)</li> <li>o Cromatura Galvanica con assenza totale di residui tossici</li> <li>o Materiale Tondino metallico: Ferro Fe360, vari diametri</li> <li>o Soft-Close di serie</li> </ul>	<ul style="list-style-type: none"> <li>o Totally extractable guides</li> <li>o Static load limit: 245 N (25kg)</li> <li>o Dynamic load limit: 196 N (20 kg)</li> <li>o Galvanic Chromium Plating without toxic residues</li> <li>o Metal bar material: Iron Fe360, different diameters</li> <li>o Soft-close as standard</li> </ul>
---	--	---

<b>Manutenzione</b> <b>Maintenance</b>	Pulire con un panno morbido ed asciutto. Evitare l'uso di solventi e/o abrasivi. Clean with a soft, dry cloth. Avoid using solvents or abrasive.
---	---

<b>Istruzioni d'uso</b> <b>Use manual</b>	Il prodotto è adatto ad usi alimentari. Consultare le INDICAZIONI DI MONTAGGIO per l'installazione del prodotto. Product is suitable for alimentary purposes. See ASSEMBLY INSTRUCTIONS of product installation.
--	---

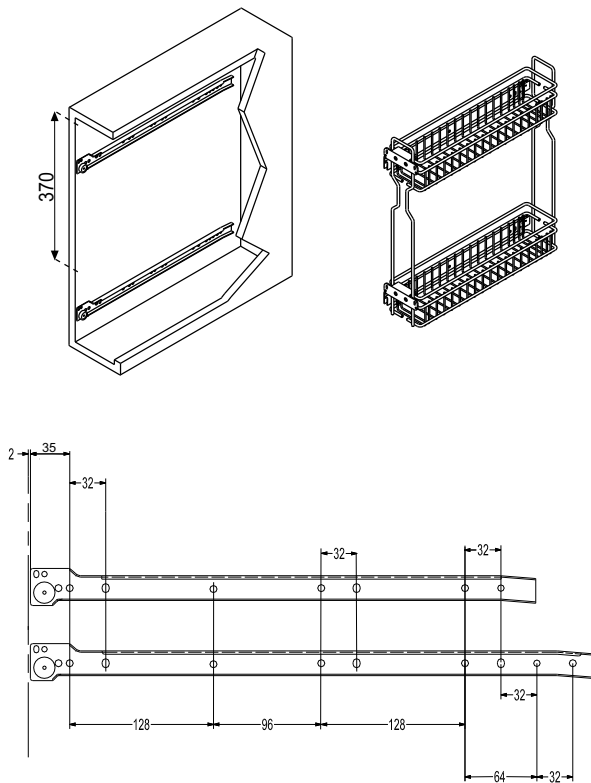
Ufficio Tecnico INOXA s.r.l. Via dell'Industria 28/30 - 60020 Polverigi (AN) - www.inoxa.it	Documento NR. 059/2012	Data Revisione 26/02/2013	Rev. 02
--	---------------------------	------------------------------	------------



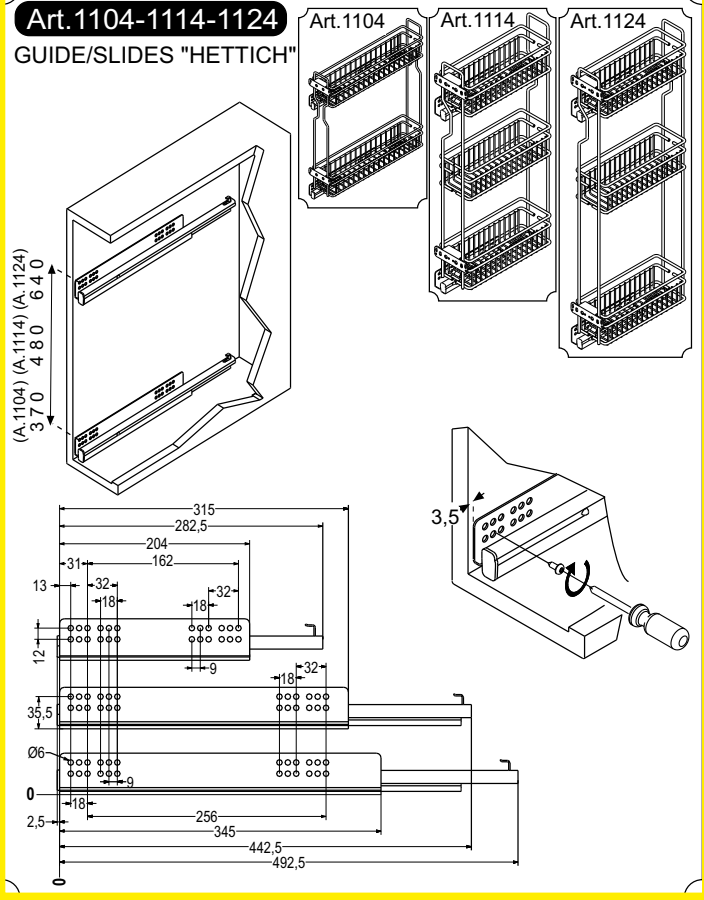
**SISTEMA DI MONTAGGIO CONSIGLIATO PER ART.108-1104-1106-1114-1124-2104S-3104**  
**ASSEMBLY SUGGESTED INSTRUCTIONS FOR ART.108-1104-1106-1114-1124-2104S-3104**

**FISSAGGIO GUIDE AL MOBILE. - Fix the rails onto the cabinet.**

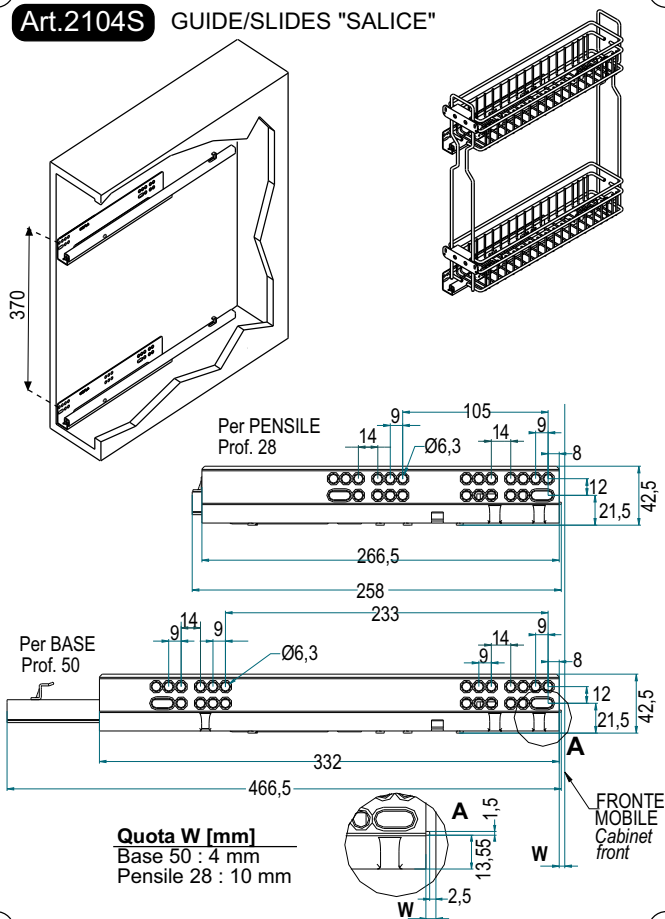
**Art.108** GUIDE/SLIDES "DONATI"



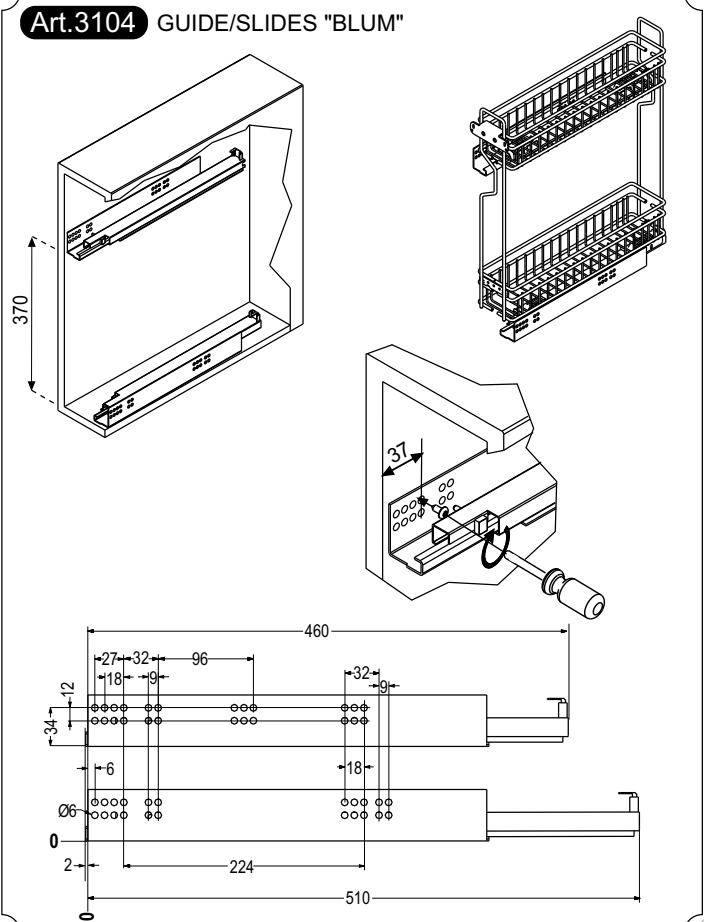
**Art.1104-1114-1124** GUIDE/SLIDES "HETTICH"



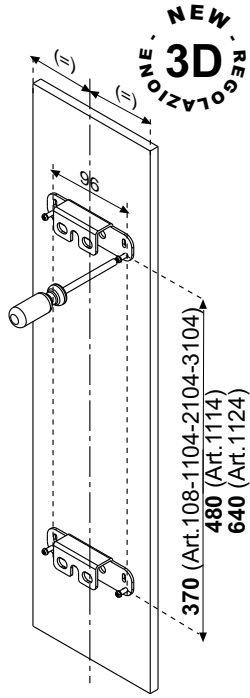
**Art.2104S** GUIDE/SLIDES "SALICE"



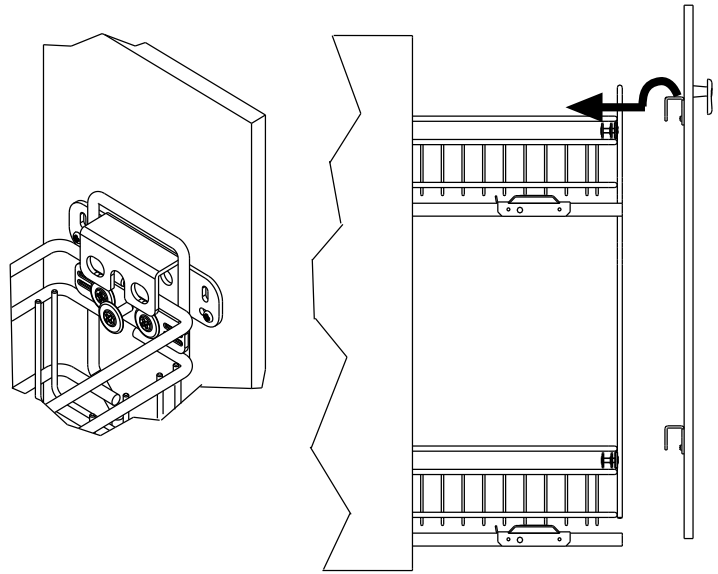
**Art.3104** GUIDE/SLIDES "BLUM"



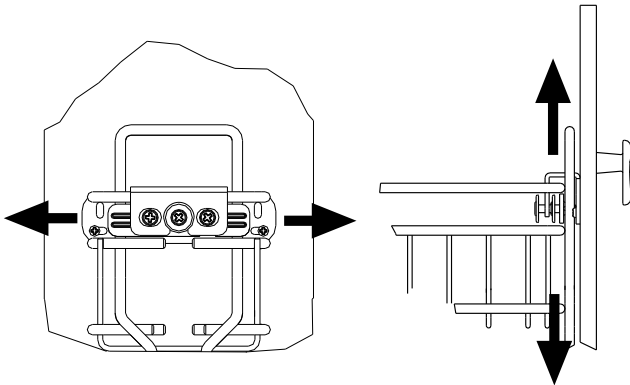
MONTAGGIO PIASTRINI SU ANTA.  
Fix brackets onto the door.



POSIZIONARE ANTA SU CESTO.  
Mount the door onto the basket

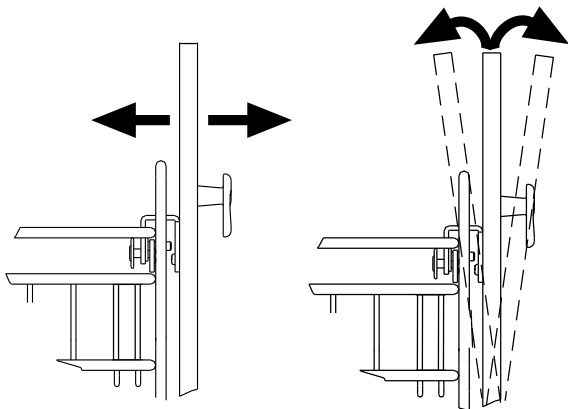


REGOLAZIONI 3D - Adjust 3D



ORIZZONTALE  
Horizontal

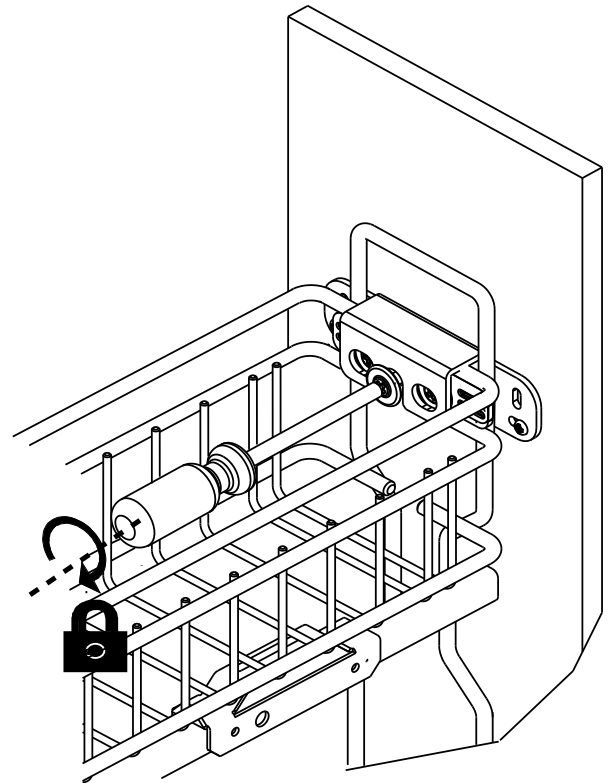
VERTICALE  
Vertical



PROFONDITA'  
Depth

INCLINAZIONE  
Incline

SERRAGGIO ANTA  
AL CESTO  
Tighten the door  
onto  
the basket



# Wirework

## PULL OUT BASE - 300mm, Chrome

### Features:

- Cabinet width: 300mm
- Minimum internal cabinet depth: 450mm
- Soft close mechanism
- 25kg loading capacity

PRODUCT CODE	ART. NO.	DESCRIPTION
JDY002	1102	300 PULL OUT BASE - CHROME







# SCHEDA TECNICA DI PRODOTTO

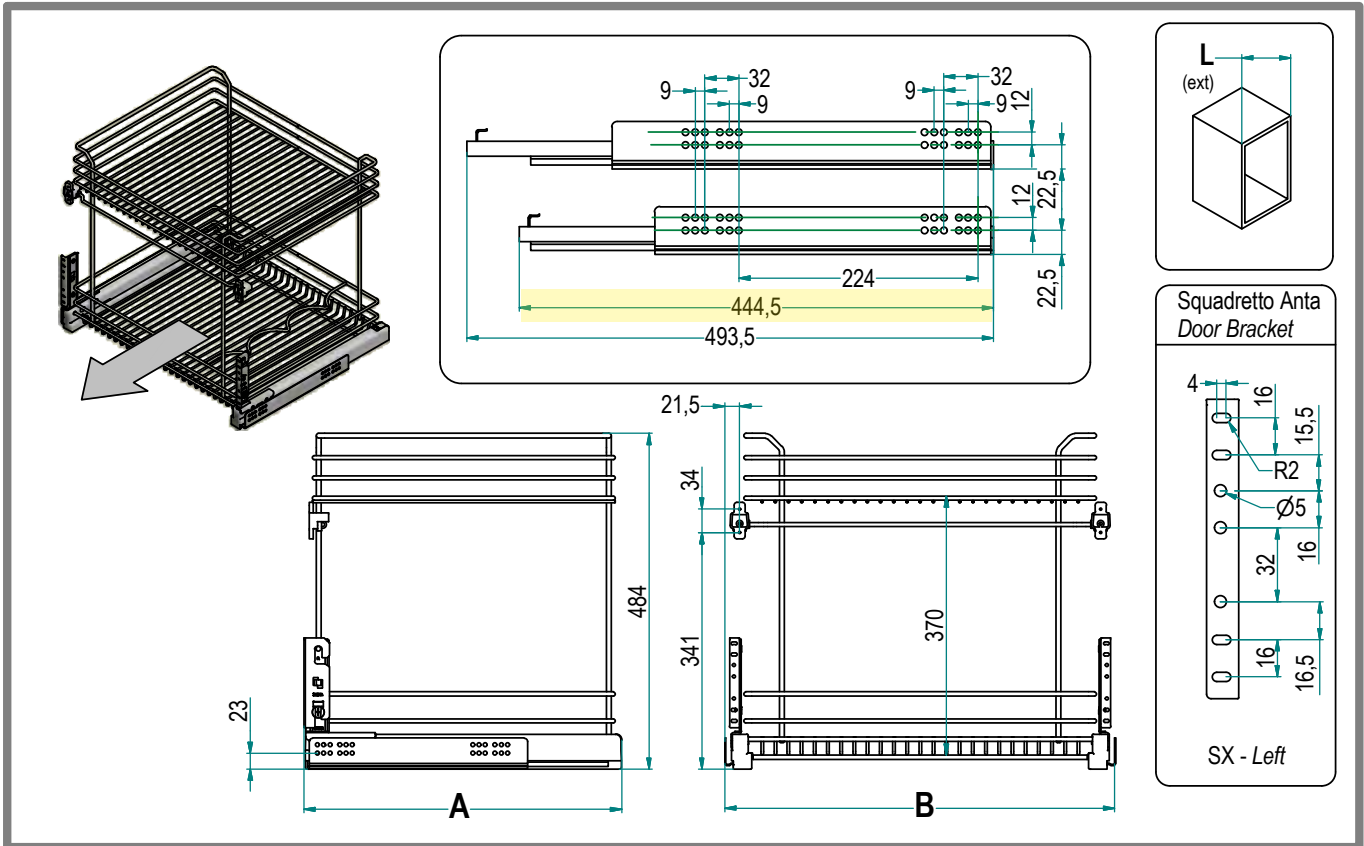
## Product Tech Datasheet

(in ottemperanza alla Legge 126/91 e al D.L. 101/97)

### Serie Gold - Gold Range

Cestello Cassetto con fondo grigliato  
Drawer basket with wire grille base

Art. 1102



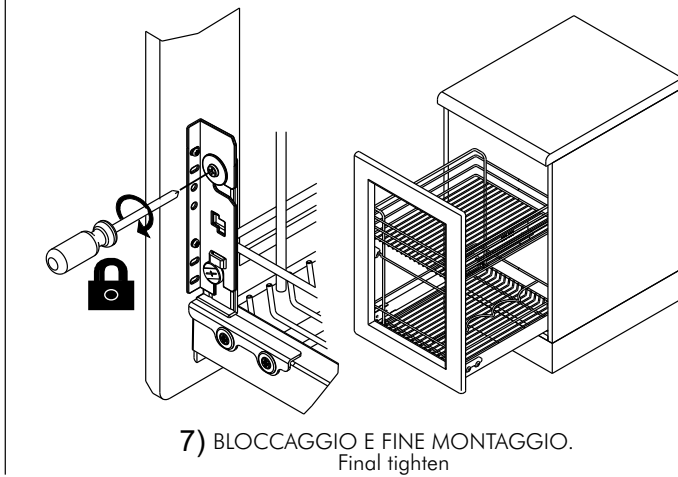
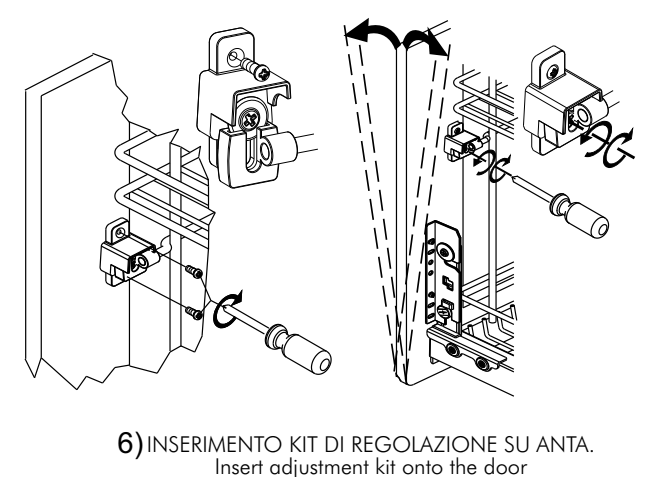
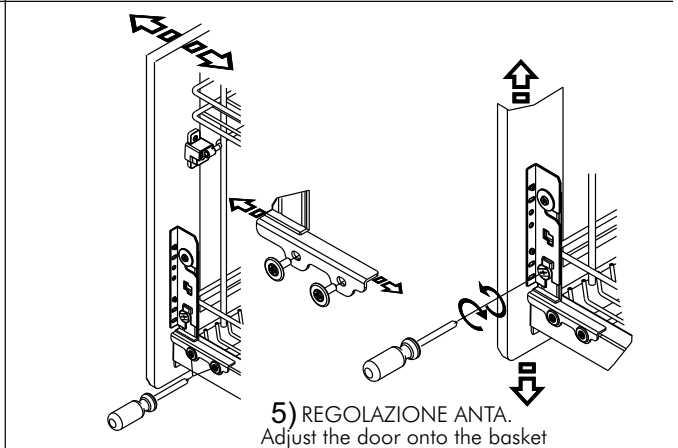
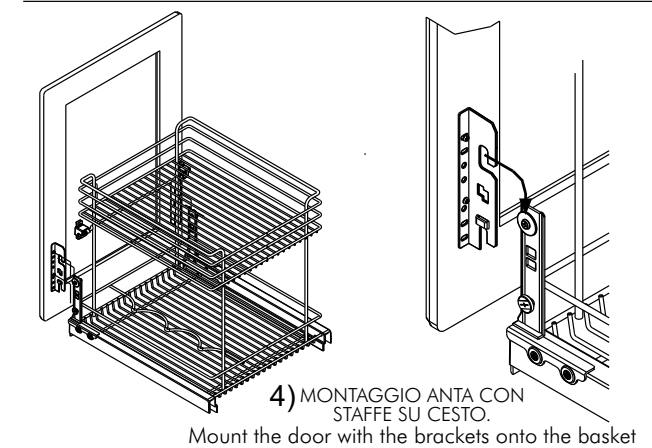
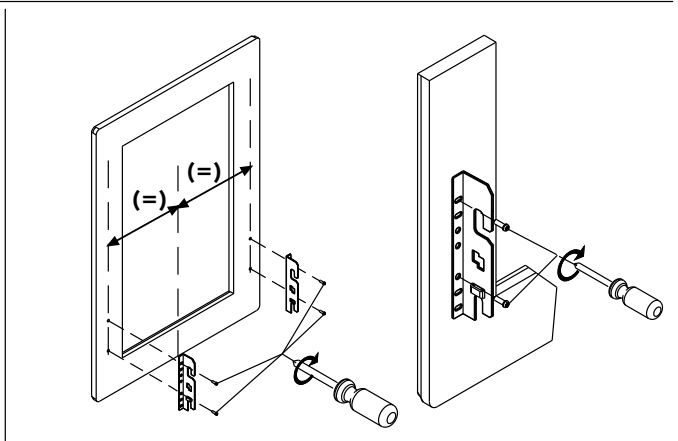
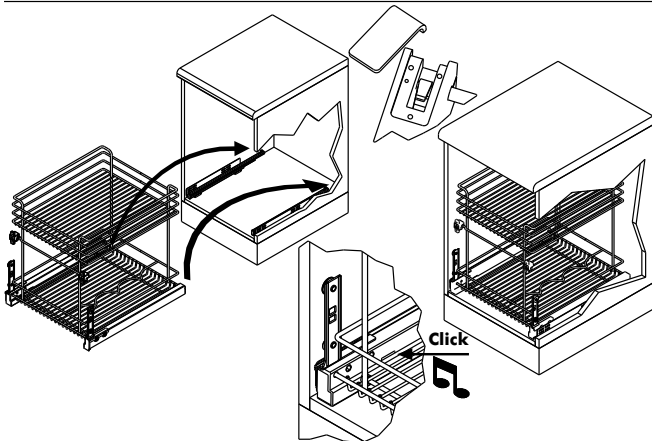
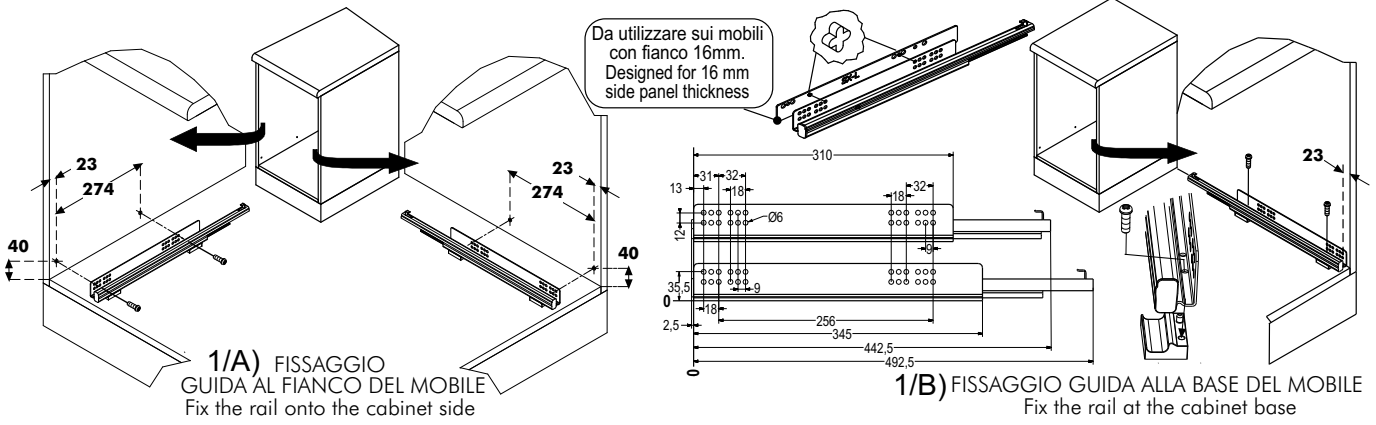
<b>1102 Y / 30 - 50 C</b>  Optional Y: Soft-Closing	<b>Profondità / Depth</b>	<b>Larghezza / Width</b>																			
	<table border="1"> <thead> <tr> <th></th> <th>A [mm]</th> </tr> </thead> <tbody> <tr> <td>45</td> <td>458</td> </tr> <tr> <td>50</td> <td>508</td> </tr> </tbody> </table>		A [mm]	45	458	50	508	<table border="1"> <thead> <tr> <th>L [cm]</th> <th>B [mm]</th> </tr> </thead> <tbody> <tr> <td>30</td> <td>264</td> </tr> <tr> <td>35</td> <td>314</td> </tr> <tr> <td>40</td> <td>364</td> </tr> <tr> <td>45</td> <td>414</td> </tr> <tr> <td>50</td> <td>464</td> </tr> <tr> <td>60</td> <td>564</td> </tr> </tbody> </table>	L [cm]	B [mm]	30	264	35	314	40	364	45	414	50	464	60
	A [mm]																				
45	458																				
50	508																				
L [cm]	B [mm]																				
30	264																				
35	314																				
40	364																				
45	414																				
50	464																				
60	564																				
	<b>Finitura / Finish</b>																				
	<table border="1"> <tbody> <tr> <td>C</td> <td>Cesto Cromato / Chromed Basket</td> </tr> </tbody> </table>	C	Cesto Cromato / Chromed Basket																		
C	Cesto Cromato / Chromed Basket																				

<b>Caratteristiche Principali</b>  <b>Main Features</b>	o Estrazione Guida Totale o Portata cesto: 25kg o Cromatura Galvanica con assenza totale di residui tossici o Copriguida in ABS Stampati ad iniezione o Materiale Tondino metallico: Ferro Fe360 vari diametri	o Total extractable guides o Basket load capacity: 25 kg o Galvanic Chromium Plating without toxic residues o Injection molded ABS guide covers o Metal bar material: Iron Fe360 different diameters
<b>Manutenzione</b> <b>Maintenance</b>	Pulire con un panno morbido ed asciutto. Evitare l'uso di solventi e/o abrasivi. Clean with a soft, dry cloth. Avoid using solvents or abrasive.	
<b>Istruzioni d'uso</b> <b>Use manual</b>	Il prodotto è adatto ad usi alimentari. Consultare le INDICAZIONI DI MONTAGGIO per l'installazione del prodotto. Product is suitable for alimentary purposes. See ASSEMBLY INSTRUCTIONS of product installation.	

Ufficio Tecnico INOXA s.r.l. Via dell'Industria 28/30 - 60020 Polverigi (AN) - www.inoxa.it	Documento NR. 060/2012	Data Emissione 14/09/2012	Rev. 01
--	---------------------------	------------------------------	------------



**INDICAZIONE MONTAGGIO SERIE "GOLD" ART.1102/1105/1122/1123**  
**Assembly instructions "GOLD" range art.1102/1105/1122/1123**



# Wirework

## PULL OUT BASE - 300mm, Anthracite

### Features:

- Cabinet width: 300mm
- Minimum internal cabinet depth: 455mm
- Soft close mechanism
- 40kg loading capacity

PRODUCT CODE	ART. NO.	DESCRIPTION
JEL002	5102E	300 PULL OUT BASE - ANTHRACITE





# SCHEDA TECNICA DI PRODOTTO

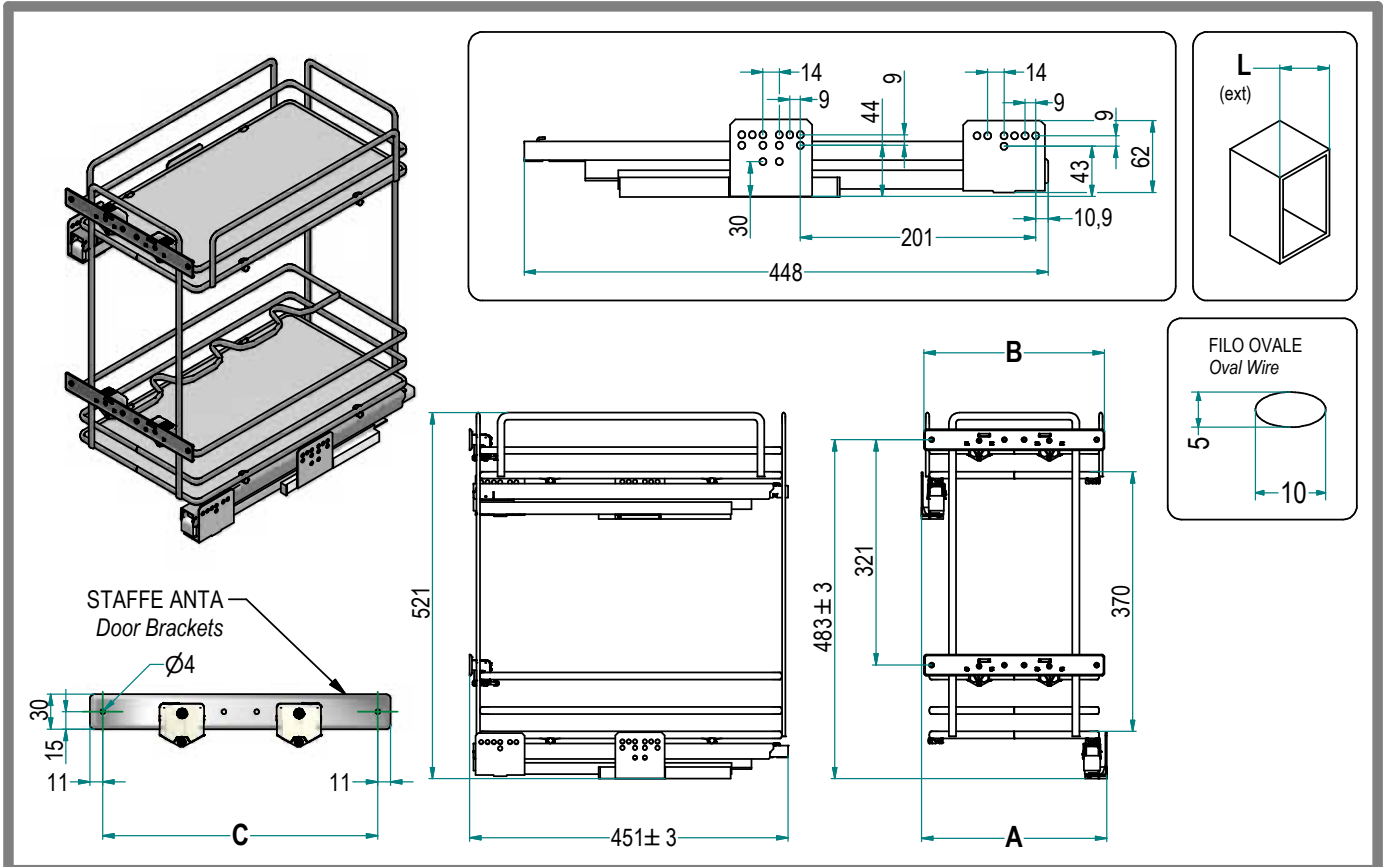
## Product Tech Datasheet

(in ottemperanza alla Legge 126/91 e al D.L. 101/97)

*Elite*

Cestello estraibile due piani con portabottiglie  
Extractable basket with two shelves and bottle rack

Art. **5102E**



**5102E Y / 30-45 P C B**

Imballo singolo  
Single packaging

**Finitura Ripiano  
Shelf Finishing**  
G: Grigio / Grey  
B: Bianco / White  
T: Titanio / Titanium  
V: Vetro / Glass

**Finitura Cestello  
Basket Finishing**  
C: Cromo / Chromed  
N: Champagne  
T: Titanio / Titanium

Larghezza / Width

	L [mm]	A [mm]	B [mm]	C [mm]
30	300	264	257	235
40	400	364	357	335
45	450	414	407	387
50	500	464	457	435
60	600	564	557	535

**Caratteristiche Principali**

**Main Features**

- o Ripiano in multistrato melaminico, Bianco o Grigio
- o Possibilità di ripiano in Vetro
- o Ripiano in Titanio disponibile solo con struttura in Titanio e viceversa
- o Struttura in filo ovale 10x5
- o Equipaggiato con n.2 guide sfalsate GRASS Dynamic XP
- o Sistema Soft-closing di serie
- o Portata [kg]: 40

- o Melamine multilayer shelves, white or grey
- o Possibility of Glass shelves
- o Titanium shelf available only with Titanium structure and vice-versa
- o Oval iron 10x5 wire structure
- o Equipped with n.2 GRASS Dynamic XP staggered slides
- o Soft-closing system as standard
- o Capacity [kg]: 40

**Manutenzione**

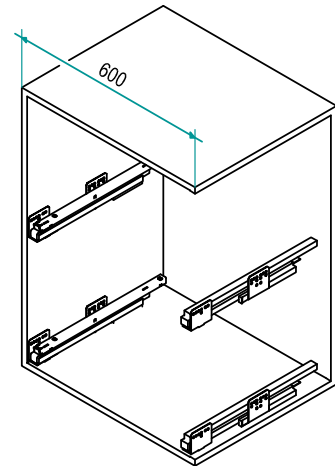
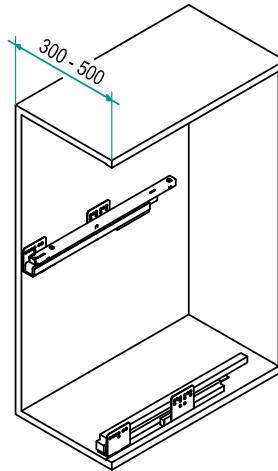
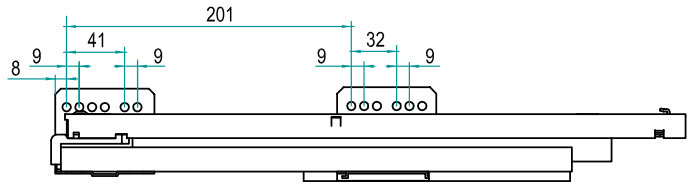
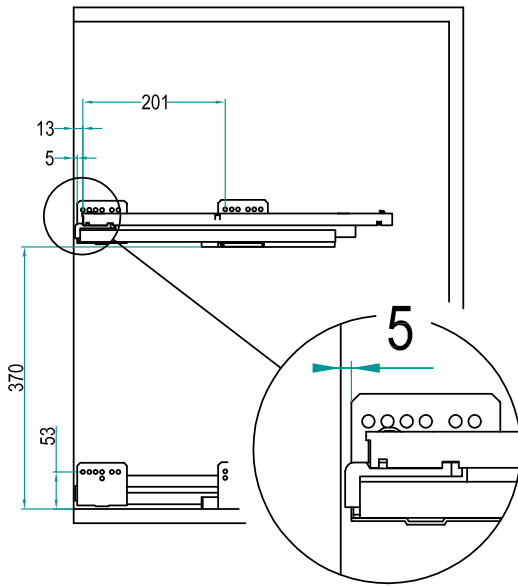
**Use manual**

Pulire con un panno morbido ed asciutto. Evitare l'uso di solventi e/o abrasivi.

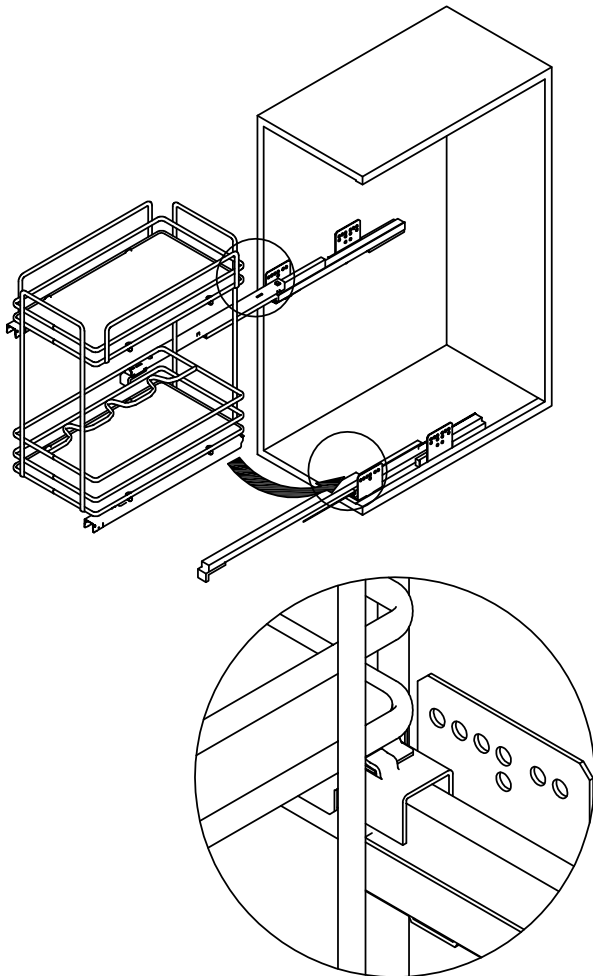
Consultare le INDICAZIONI DI MONTAGGIO per l'installazione del prodotto.

<p>Ufficio Tecnico INOXA s.r.l. Via dell'Industria 28/30 - 60020 Polverigi (AN) - www.inoxa.it</p>	<p>Documento NR. 090/2013</p>	<p>Data Emissione 04/10/2013</p>	<p>Rev. 01</p>
--	-----------------------------------	--------------------------------------	--------------------

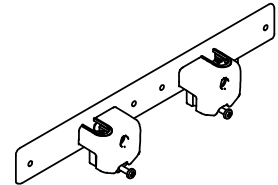
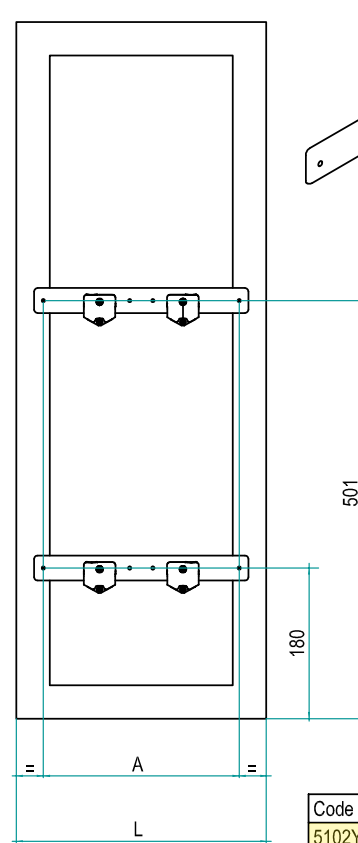
**1**



**2**

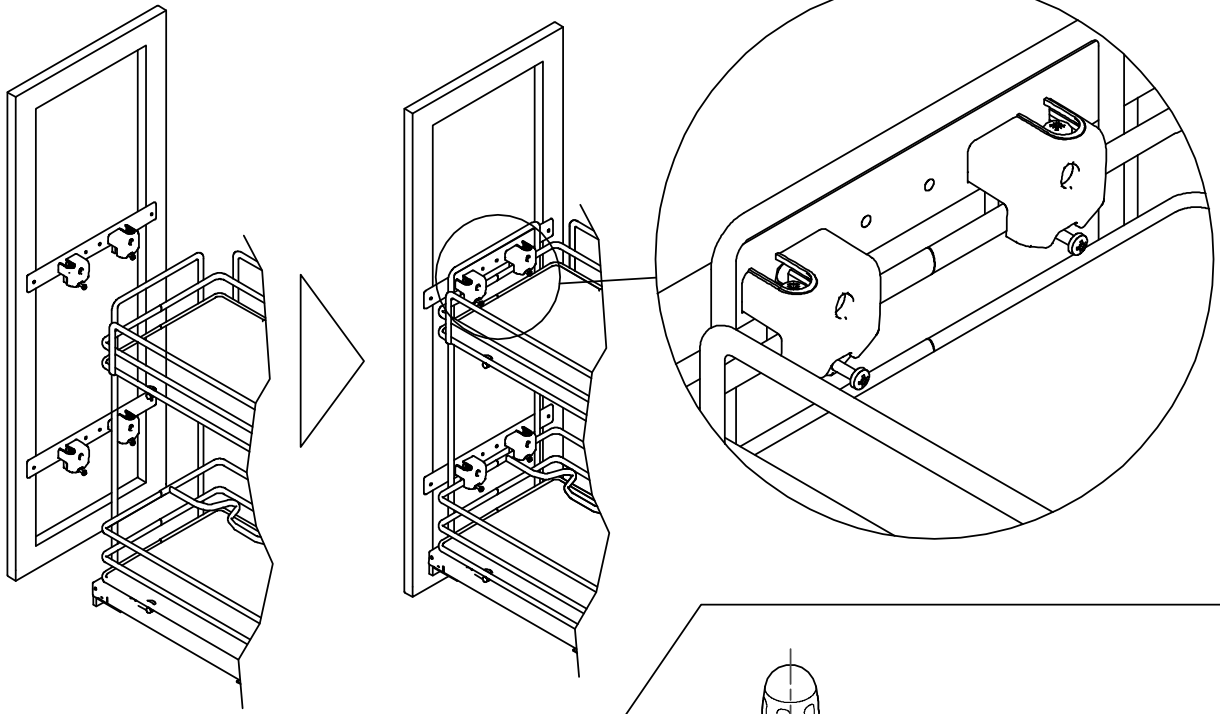


**3**

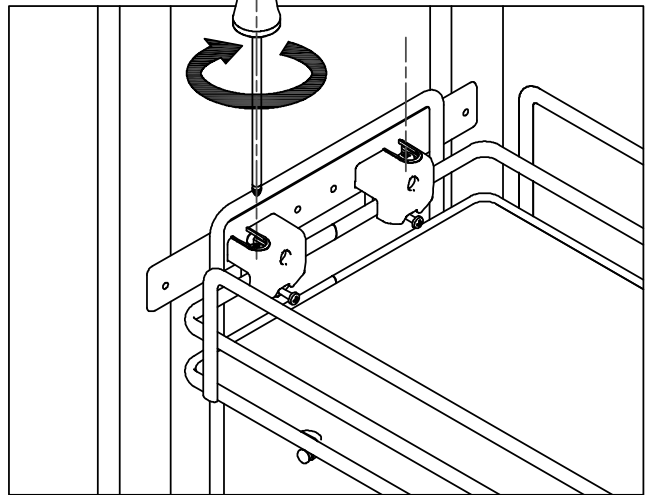
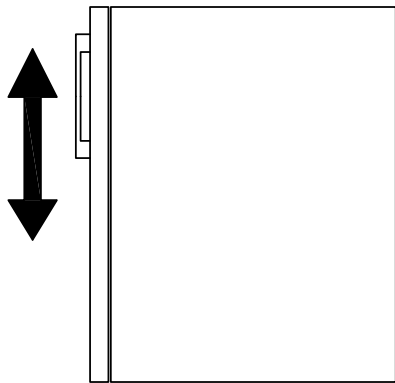


Code	L [mm]	A [mm]
5102Y/30	300	235
5102Y/40	400	335
5102Y/45	450	385
5102Y/50	500	435
5102Y/60	600	535

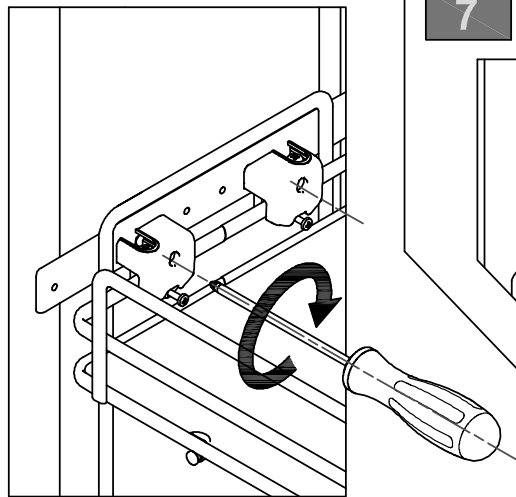
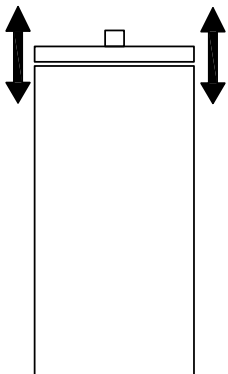
4



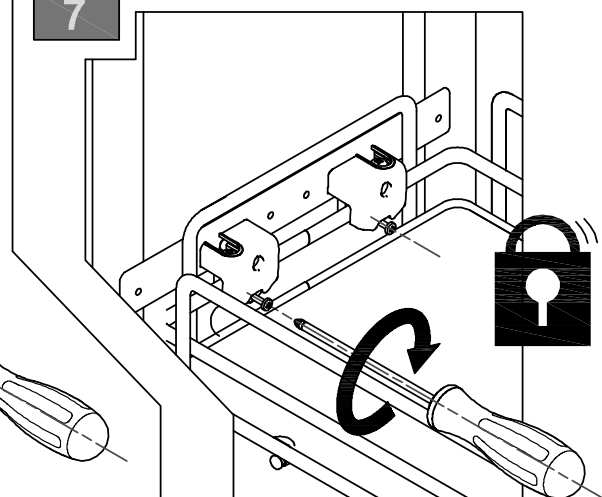
5



6



7



# Wirework

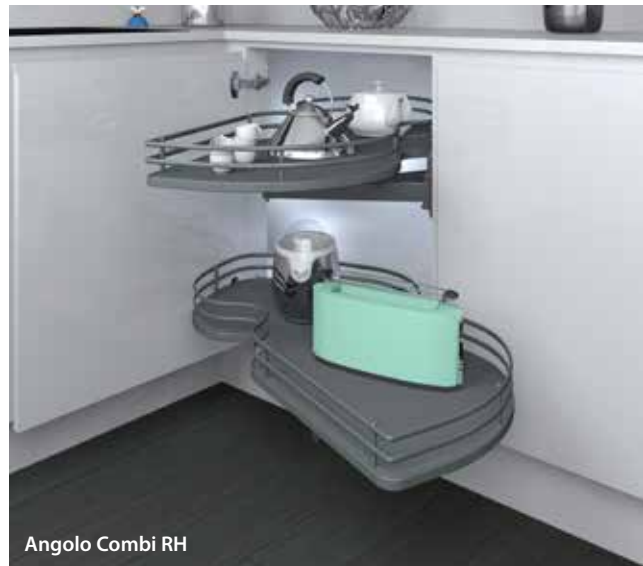
## ANGOLO - Pull out shelves with anti-slip trays

### Features:

- Patented system with quick and easy installation
- Light grey anti-slip trays with chrome rails OR anthracite anti-slip trays with titanium rails available.
- Each shelf is installed independently
- Sold as pack of 2 shelves
- Optional soft close mechanism available (sold separately as singles)

Cabinet	Door	Depth	Width	Capacity
900/1000mm	450/500	485	810/850	20kg/shelf

PRODUCT CODE	ART. NO.	DESCRIPTION
JDY064	846	450 Angolo chrome, pull out shelves, LH (LH door / RH blank), for 450mm door, pack of 2
JDY065	846	450 Angolo chrome, pull out shelves, RH (RH door / LH blank), for 450mm door, pack of 2
JDY066	846	500 Angolo chrome, pull out shelves, LH (LH door / RH blank), for 500mm door, pack of 2
JDY067	846	500 Angolo chrome, pull out shelves, RH (RH door / LH blank), for 500mm door, pack of 2
JEL064	846	450 Angolo anthracite, pull out shelves, LH (LH door / RH blank), for 450mm door, pack of 2
JEL065	846	450 Angolo anthracite, pull out shelves, RH (RH door / LH blank), for 450mm door, pack of 2
JEL066	846	500 Angolo anthracite, pull out shelves, LH (LH door / RH blank), for 500mm door, pack of 2
JEL067	846	500 Angolo anthracite, pull out shelves, RH (RH door / LH blank), for 500mm door, pack of 2
JEL063	846S	Soft close mechanism for Angolo, sold as singles, 1 unit required per shelf





# SCHEDA TECNICA DI PRODOTTO

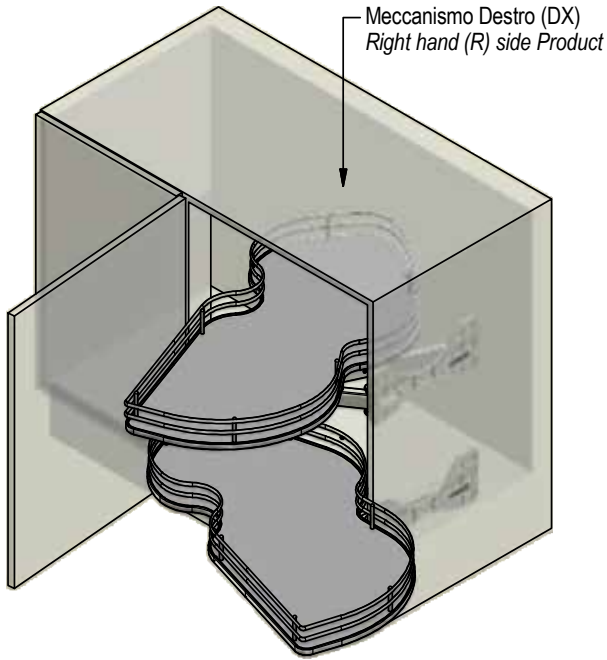
## Product Tech Datasheet

(in ottemperanza alla Legge 126/91 e al D.L. 101/97)

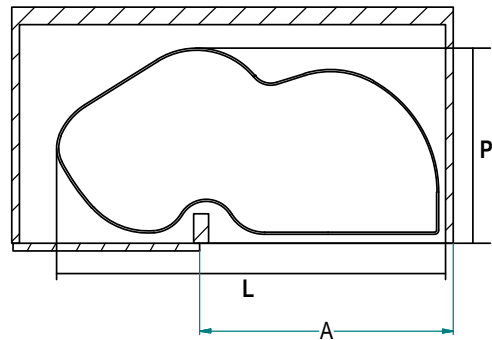
### Combi's 2

Meccanismo per mobile ad angolo - *Corner unit accessory*

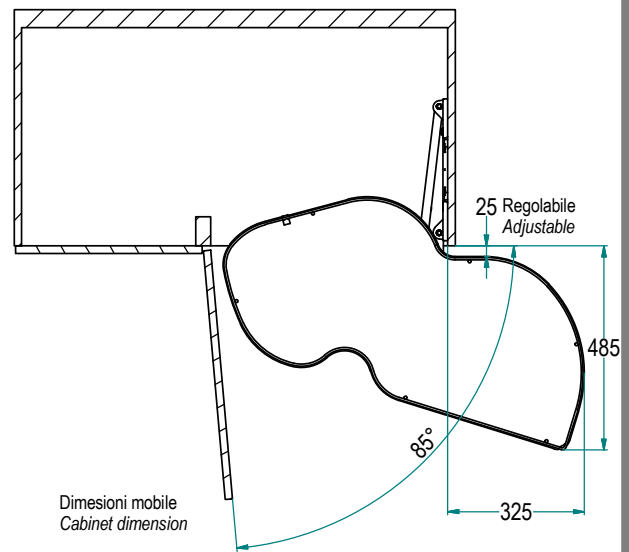
Art. 846



Ingombro vassoio interno  
Internal tray overall dimension

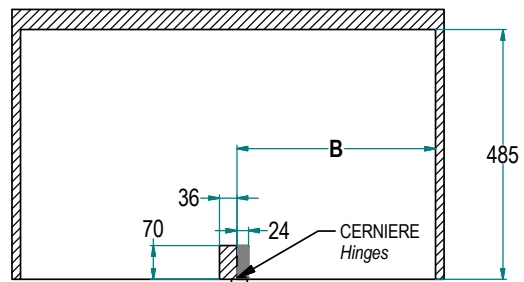
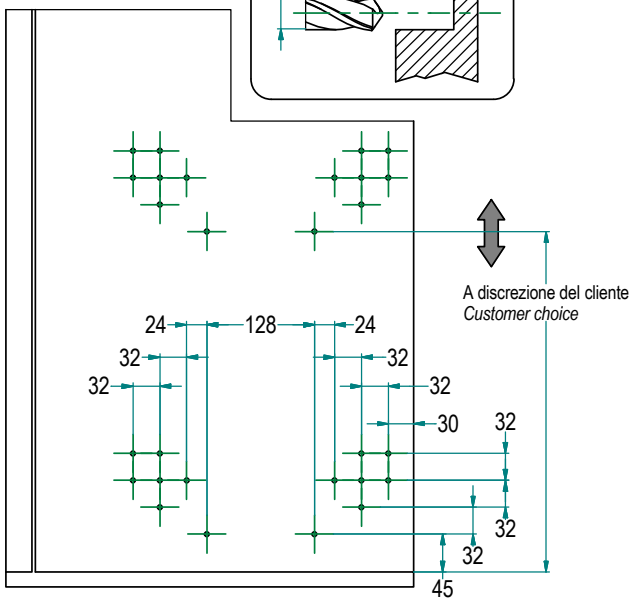
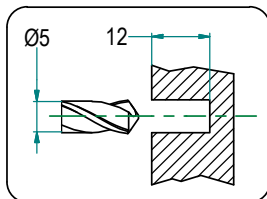


Ingombro vassoio estratto  
Extracted tray overall dimensions



Dimensioni mobile  
Cabinet dimension

Foratura fianco mobile  
Side panel holes positions



Ufficio Tecnico INOXA s.r.l.  
Via dell'Industria 28/30 - 60020 Polverigi (AN) - www.inoxa.it

Documento NR.  
140/2018

Data Emissione  
30/01/2018

Rev.  
01

Pag.  
1/2





# SCHEDA TECNICA DI PRODOTTO

## Product Tech Datasheet

(in ottemperanza alla Legge 126/91 e al D.L. 101/97)

### Combi's 2

**846 B E (Y) (AS) / DX 45 CB**

#### Verso / Direction

DX: Destro / Right hand - SX: Sinistro / Left hand

**Optional**  
AS - Trattamento Anti Scivolo  
No slip surface treatment

**Optional**  
Y - Soft Close

#### Balcone / Rim

E - "Elite":

Filo Ovale 10x5 /  
10x5 Oval wire

#### Imballo / Packaging

**B** - Coppia di meccanismi per mobile base  
Couple of mechanisms for base cabinet  
**U** - Meccanismo Singolo per mobile base  
Single Mechanism for base cabinet

#### Misure - Dimensions

Cod.	Forma / Shape	A [mm]	B [mm]	L [mm]	P [mm]	Dim. Imballo / Packaging Size
45		450	414	810	485	830 x 360 x 420
50		500	464	850	485	950 x 360 x 480
60		600	564	950	485	950 x 360 x 480

#### Finitura - Finishing

Cod.	Descr.	Caratteristiche	Features
CB	"Cromo Bianco"	Filo Cromato, Pannello Bianco, Struttura verniciata RAL7035	Chromed Wire, White Panel, RAL7035 Painted Structure
CG	"Cromo Grigio"	Filo Cromato, Pannello Grigio, Struttura verniciata RAL7035	Chromed wire, Grey Panel, RAL7035 Painted Structure
TT	"Titanio"	Filo Nichelato Nero Protetto, Pannello "titanio", Struttura verniciata RAL7043	Black Nichel coated wire, "titanium" panel, RAL7043 painted structure
AR	"Ardesia"	Filo e struttura verniciati Grigio RAL7043, Pannello Grigio RAL7043	RAL7043 Painted wire and structure, RAL7043 Panel
CH	"Champagne"	Filo e struttura verniciati Grigio "Champagne", Pannello "Champagne"	"Champagne" grey painted structure and wire, "Champagne" Panel

#### Caratteristiche Principali

#### Main Features

- o Meccanismo ad Estrazione Totale
- o Montaggio solo su fianco laterale accessibile del mobile
- o Portata Singolo ripiano: 20kg\*
- o Ripiano in legno nobilitato
- o Balconcino e struttura in Ferro Fe37 e Alluminio Al6061
- o Inserti ed accessori plastici in Poliammide e Polistirolo
- o Verniciatura epossidica non tossica
- o Cromatura galvanica con assenza totale di residui tossici
- o Optional trattamento anti scivolo

\* Portata di sicurezza verificata con montaggio su pannelli in truciolare aventi resistenza a strappo delle viti pari o superiore a 110N secondo UNI EN 320:2011

- o Total Extraction Mechanism
- o Installation only on accessible side panel of the cabinet
- o Single Tray maximum load: 20kg\*
- o Laminated wooden deck
- o Metal parts made in Iron Fe37 and Aluminum Al6061
- o Plastic parts made in Polyamide and HIPS
- o Not-toxic thermosetting Epoxy Coating
- o Galvanic Chromium plating without toxic residues
- o No-Slip surface treatment as optional

\* Safe maximum load verified with installation on chipboard panels having screws teasing resistance equal or greater than 110N as per UNI EN 320:2011

#### Manutenzione Maintenance

Pulire con un panno morbido ed asciutto. Evitare l'uso di solventi e/o abrasivi.  
Clean with a soft, dry cloth. Avoid using solvents or abrasive.

#### Istruzioni d'uso Use manual

Consultare le INDICAZIONI DI MONTAGGIO per l'installazione del prodotto.  
See ASSEMBLY INSTRUCTIONS of product installation.

Ufficio Tecnico INOXA s.r.l.

Via dell'Industria 28/30 - 60020 Polverigi (AN) - www.inoxa.it

Documento NR.  
140/2018

Data Emissione  
30/01/2018

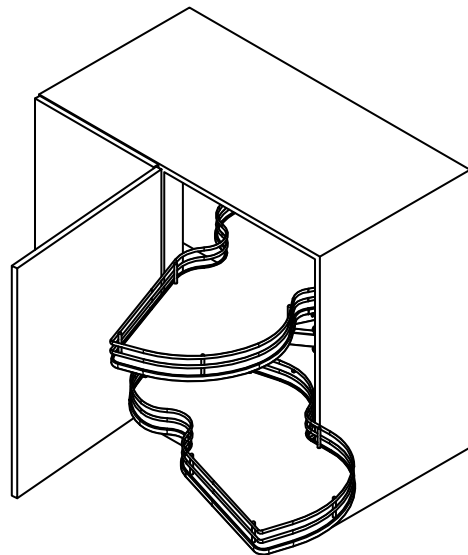
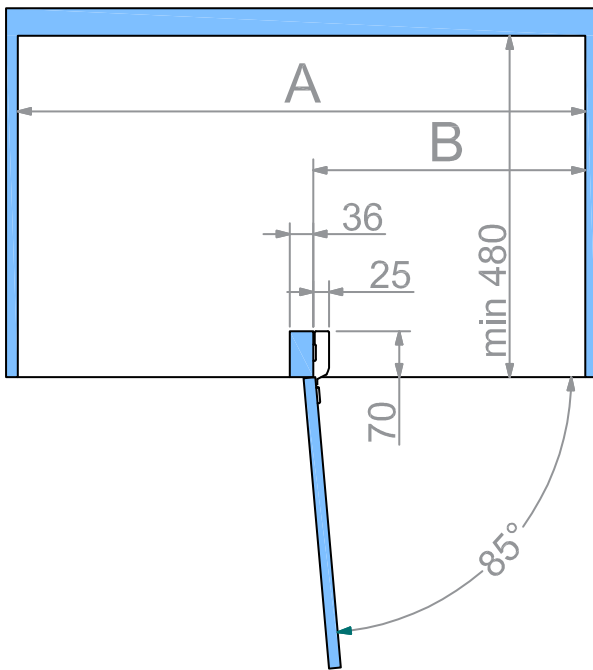
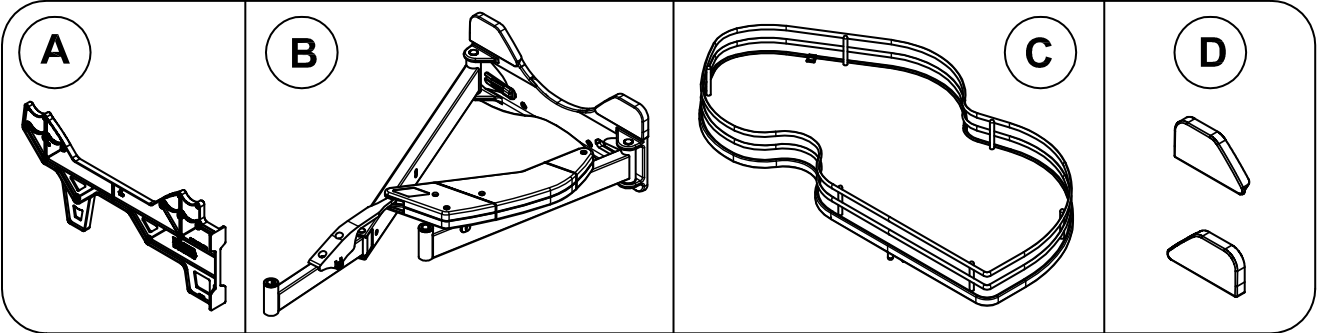
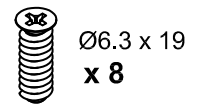
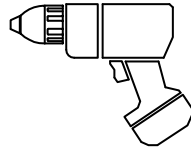
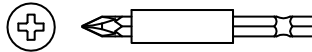
Rev.  
01

Pag.  
2/2



# ISTRUZIONI DI MONTAGGIO

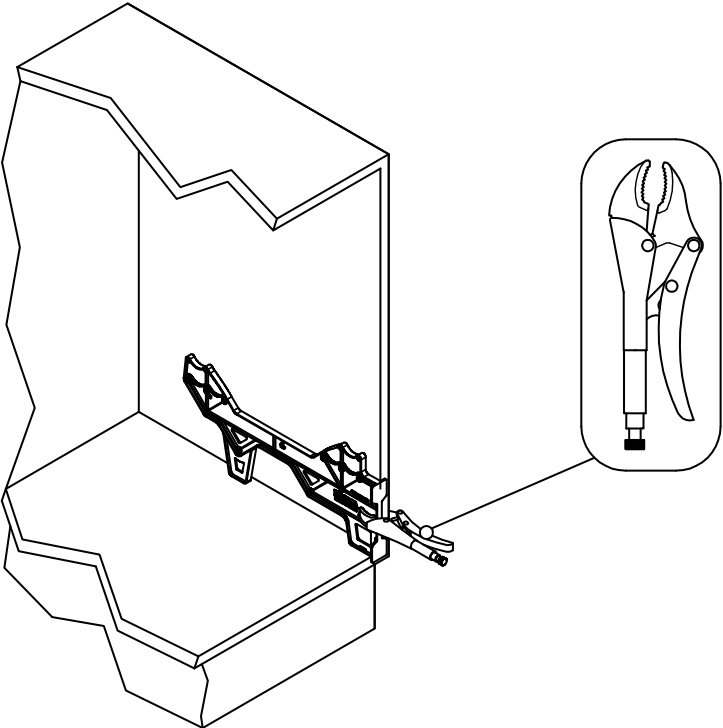
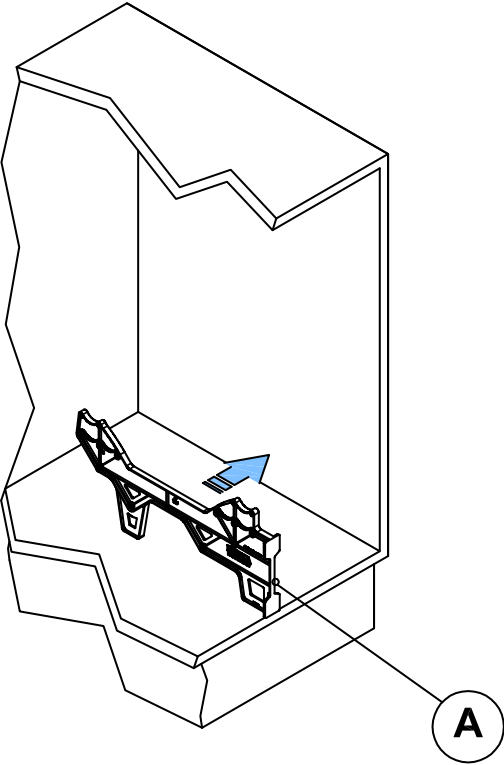
## Assembly Instructions



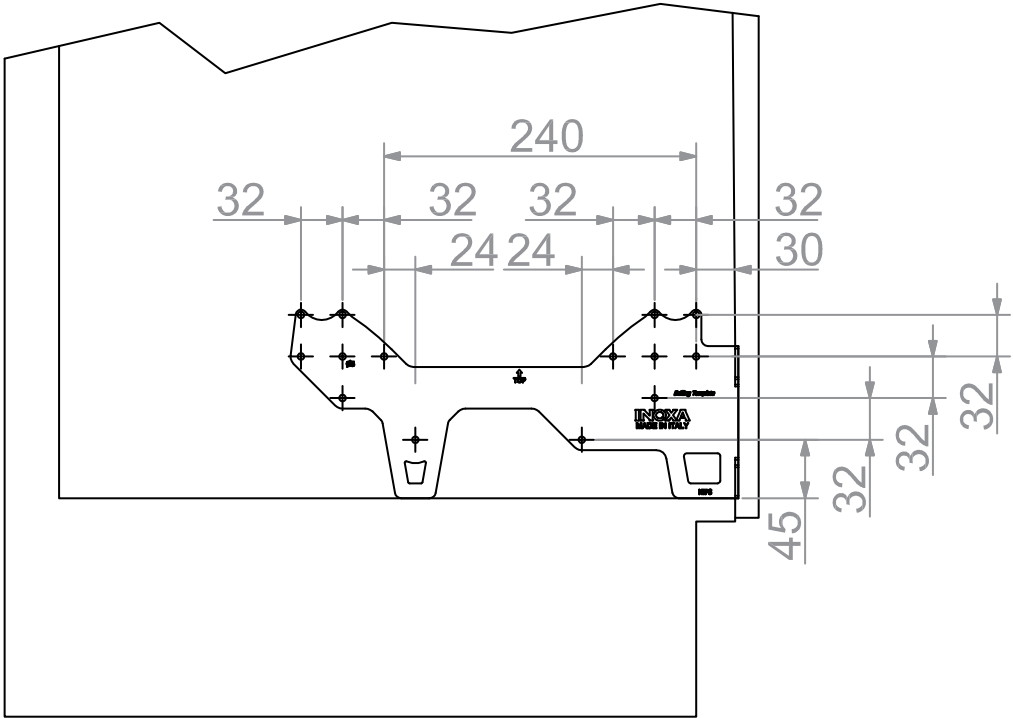
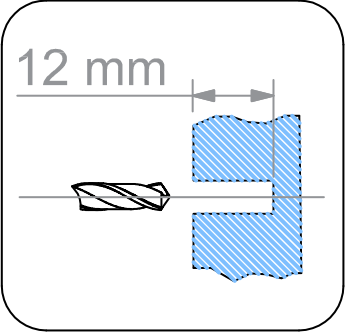
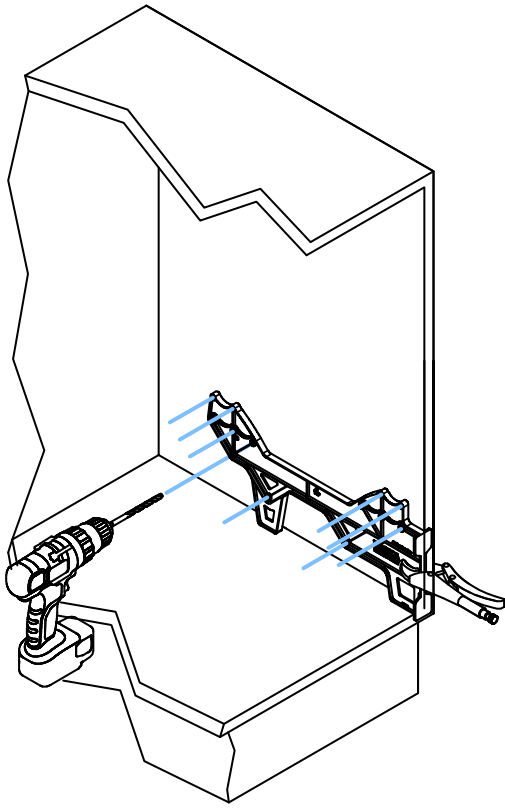
Anta / Door [cm]	A [mm] (min)	B [mm] (min)
45	850	414
50	850	464
60	950	564



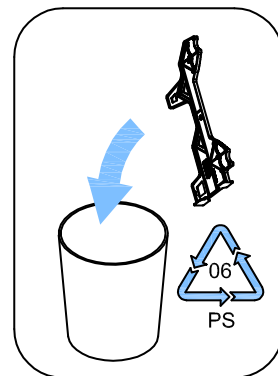
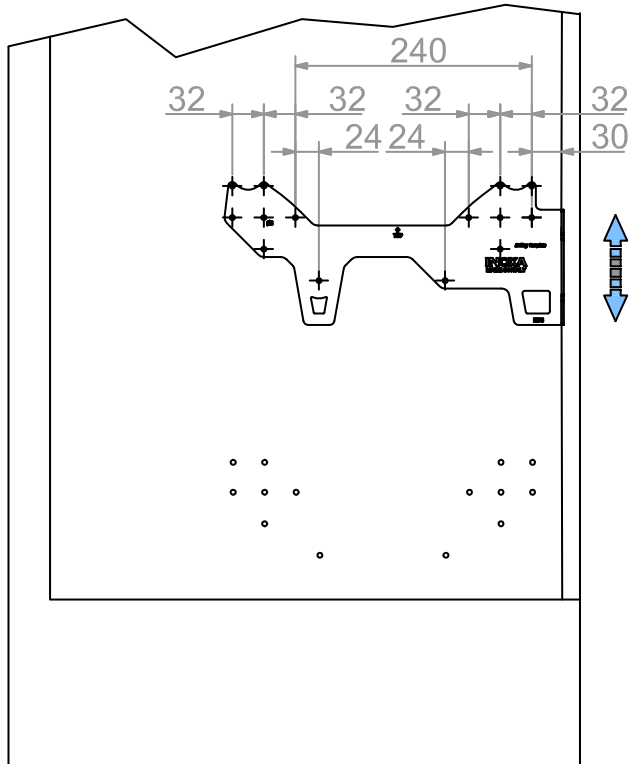
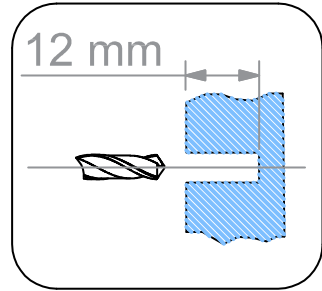
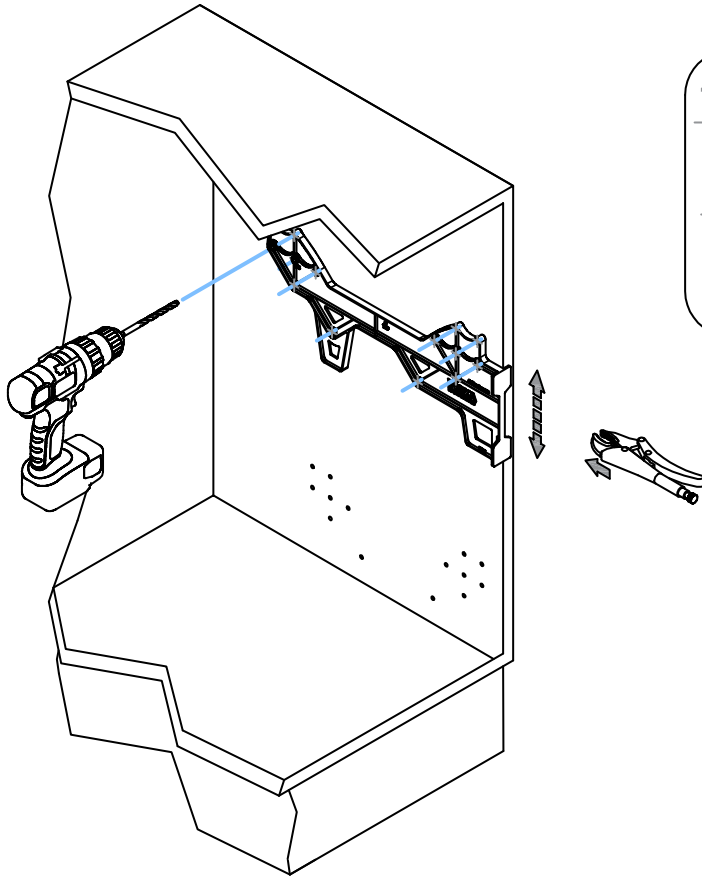
1



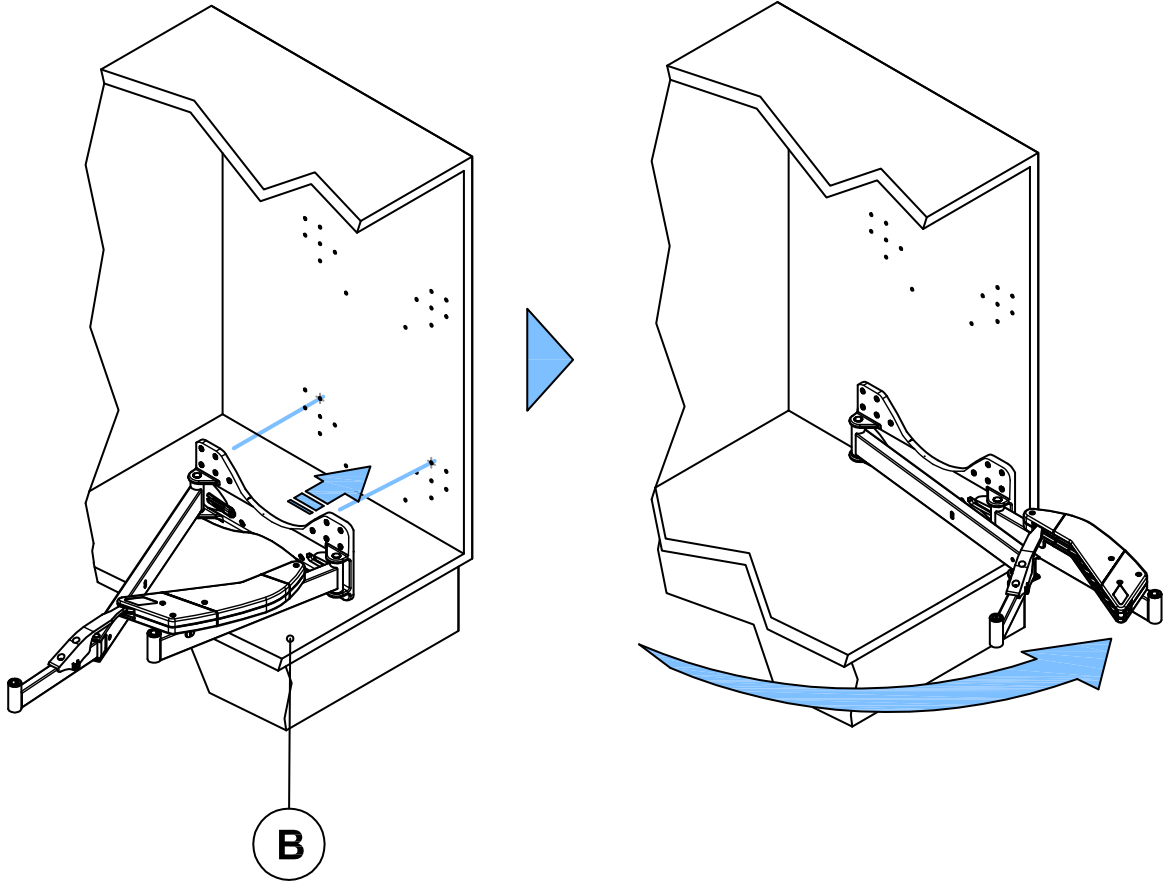
2



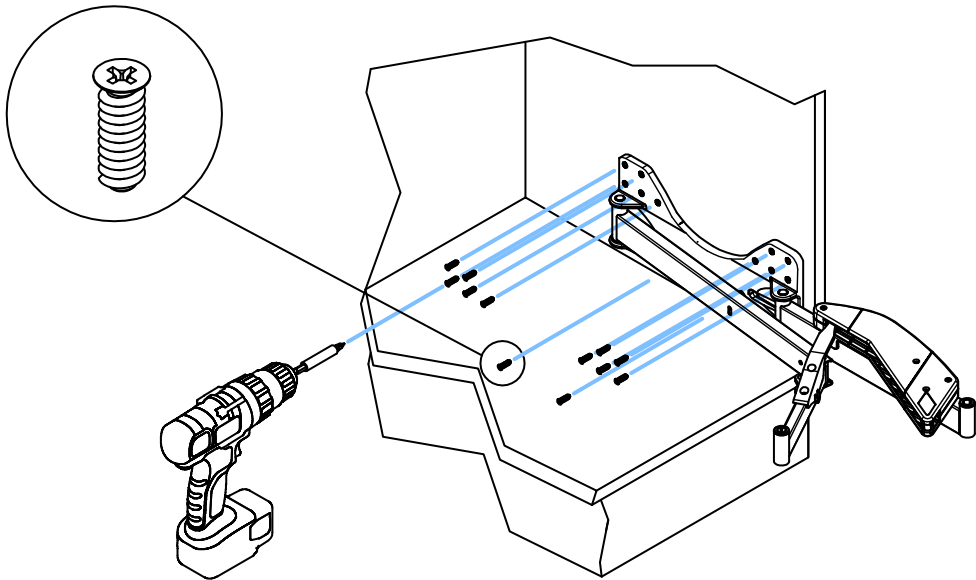
3



4



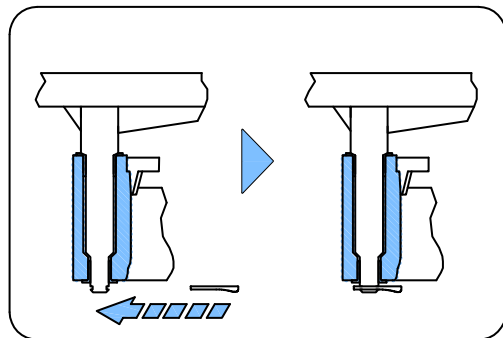
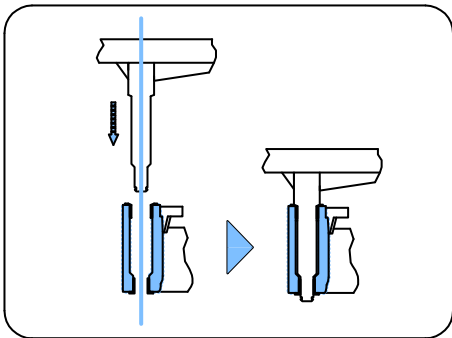
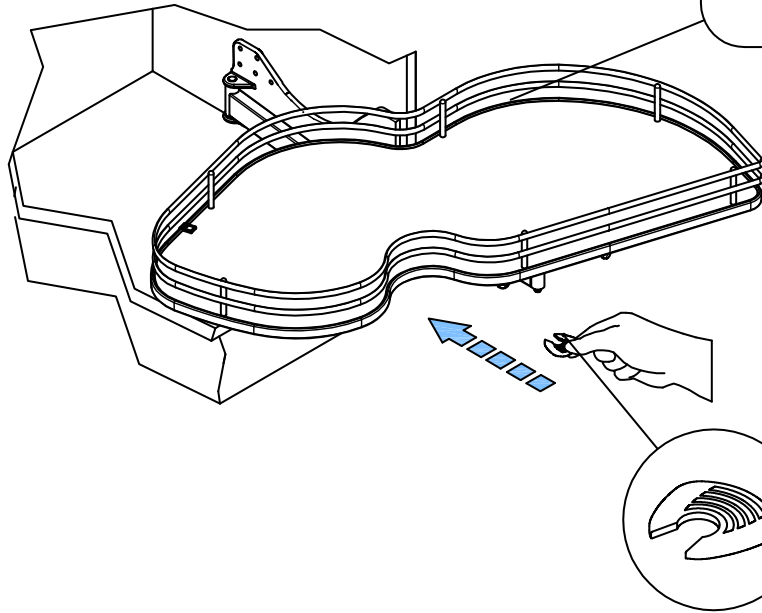
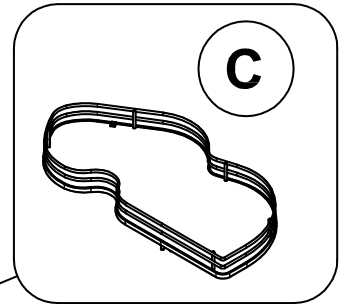
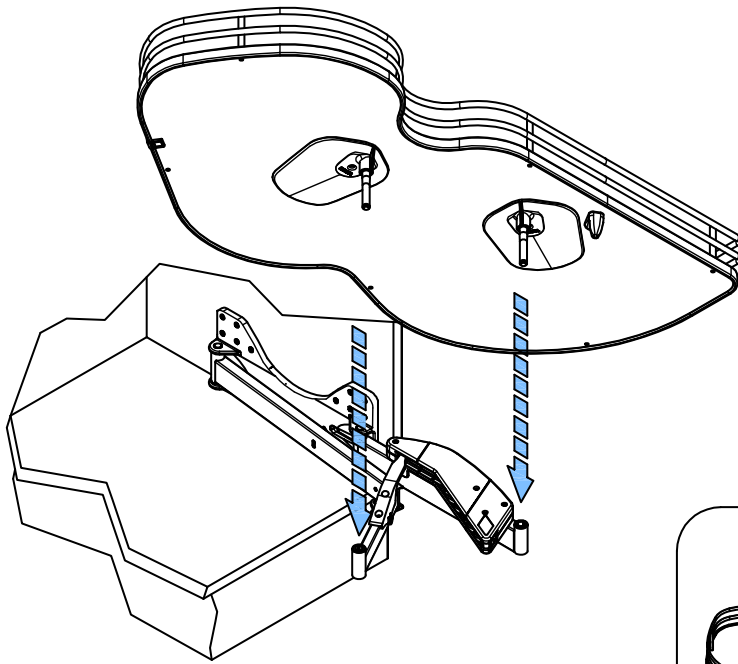
5



pag.5



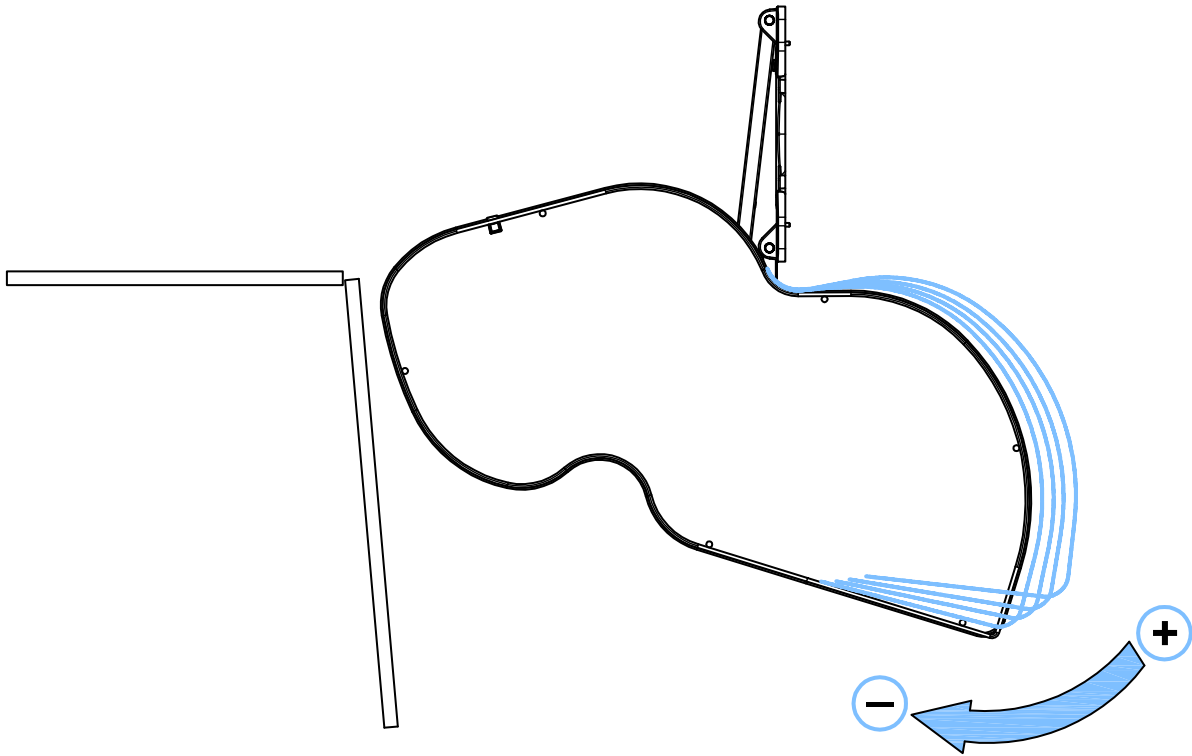
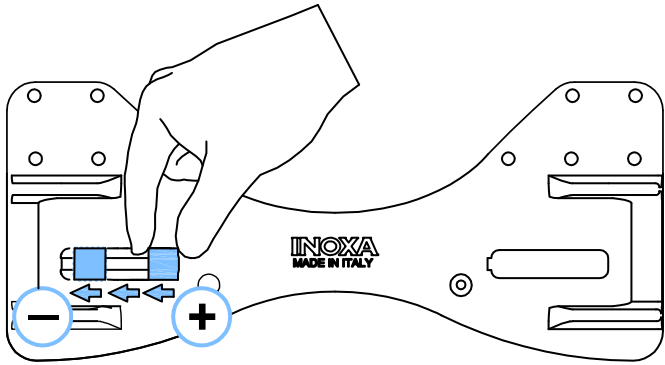
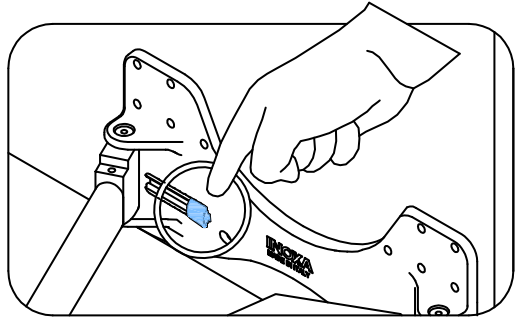
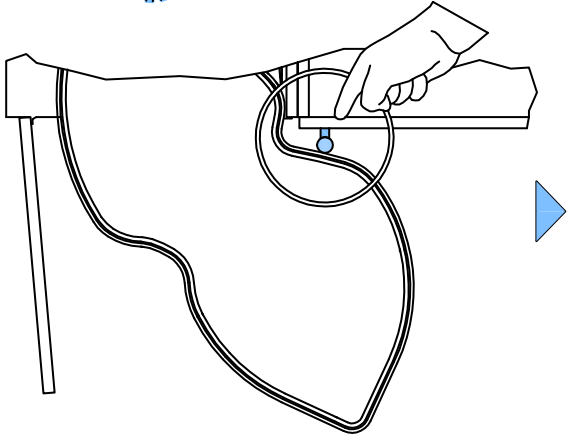
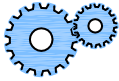
6



pag.6

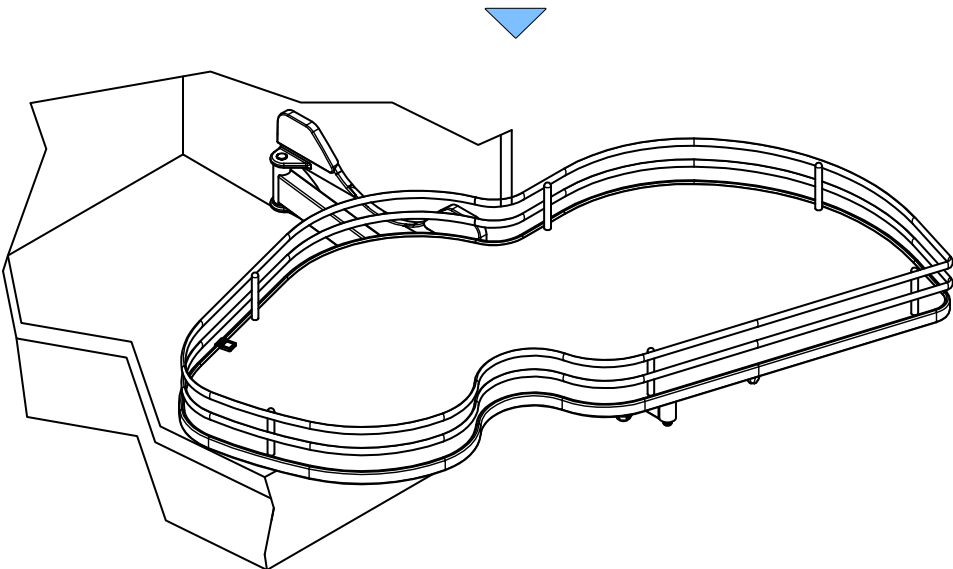
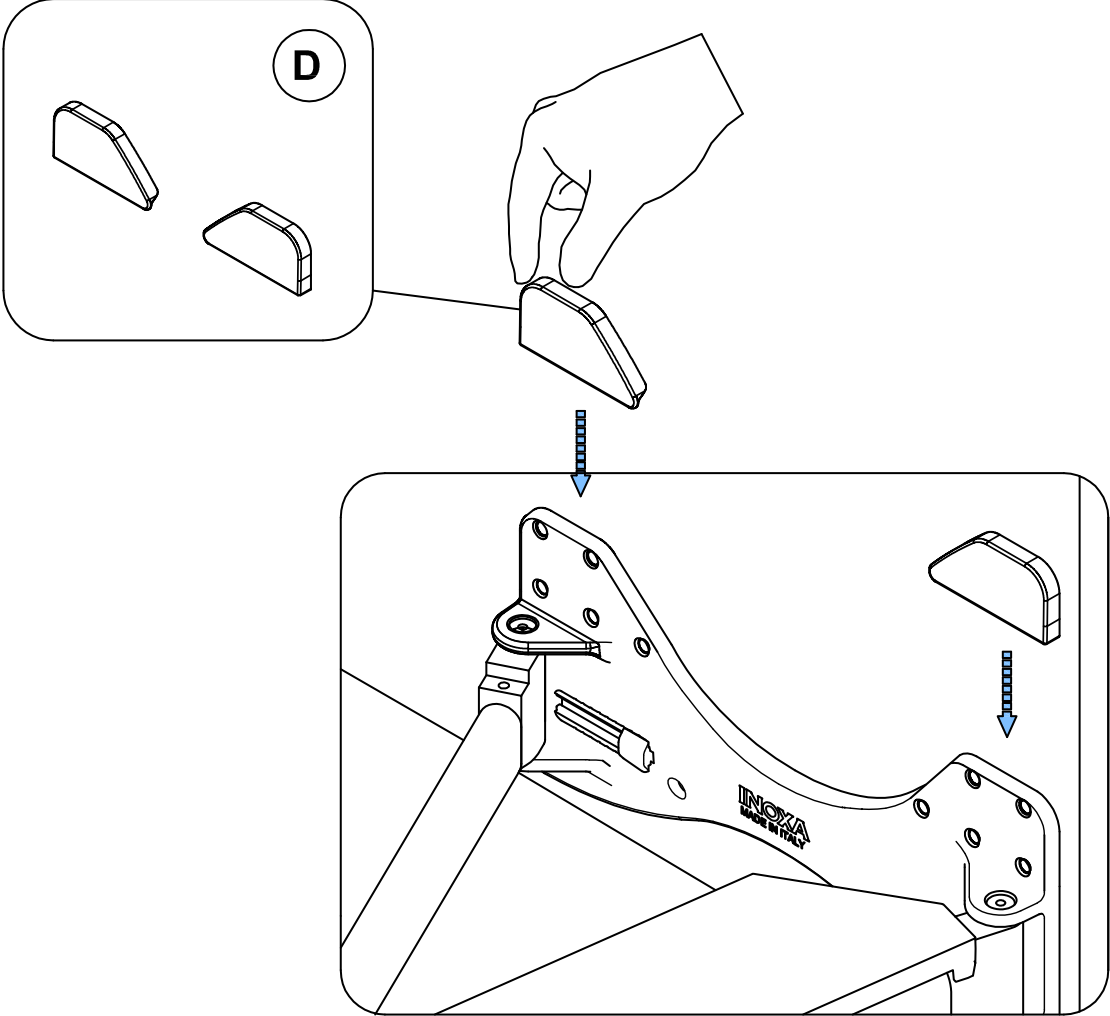


7





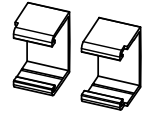
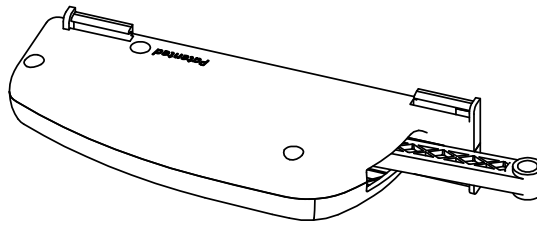
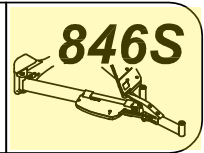
8



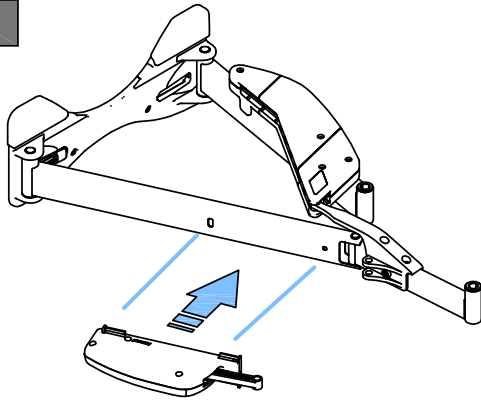


# ISTRUZIONI DI MONTAGGIO

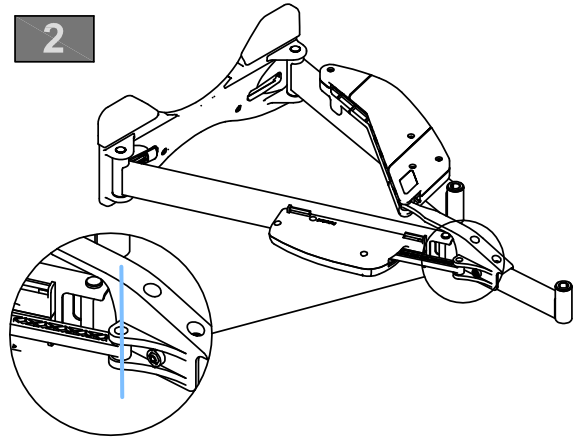
## Assembly Instructions



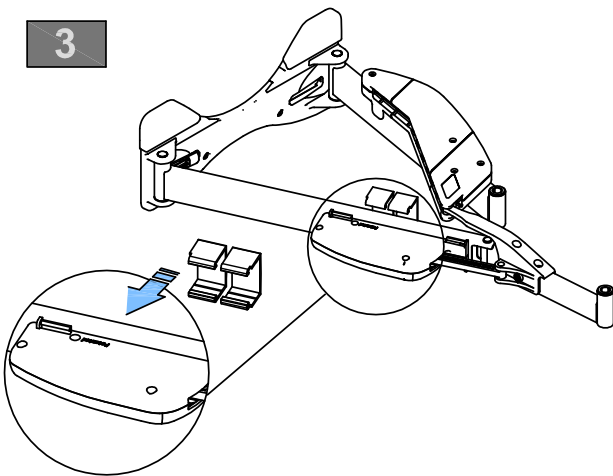
1



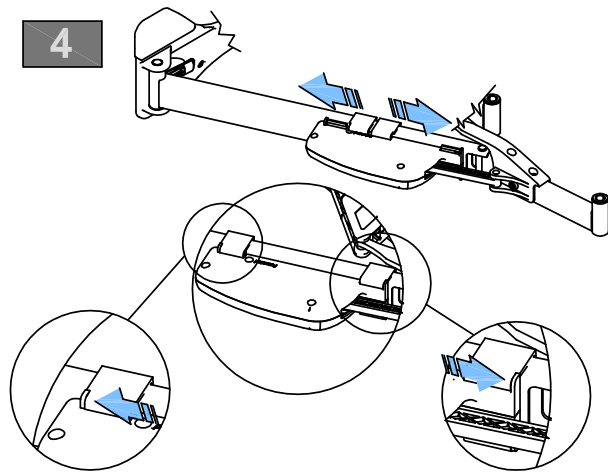
2



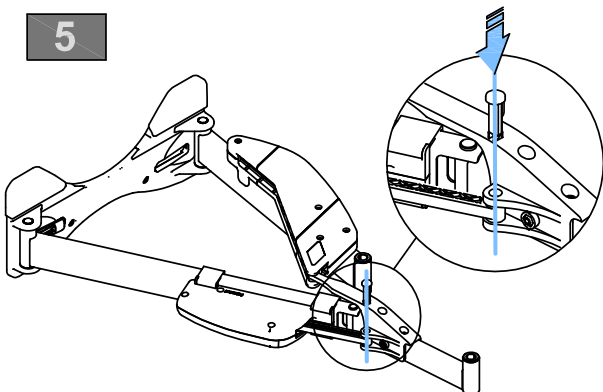
3



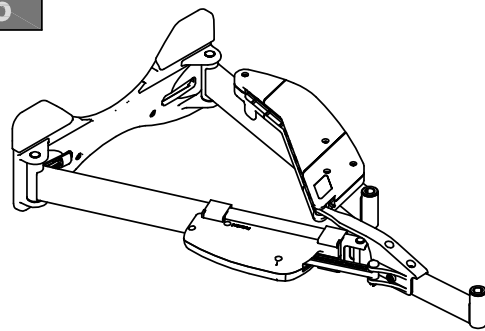
4



5



6



INOXA s.r.l.  
via dell'Industria - 60020 Polverigi (AN) - Italy

Rev. 0.1 - BOZZA  
Marzo - March 2018



# Wirework

## CORNER PULL OUT - CHROME

Includes chrome wire baskets

### Features:

- Patented gas assisted piston to enable unique soft close and easy open action
- Easy installation - only 3 moving parts
- 35kg loading capacity divided between 4 baskets
- Minimum door size: 450mm
- Chrome wire baskets

Cabinet	Depth	Width	Height	Capacity
900mm	485/560	860	640-800	35kg

CODE	ART. NO.	DESCRIPTION
JDY020	803	LH UNIT-LH DOOR/RH BLANK
JDY021	803	RH UNIT-RH DOOR/LH BLANK

## CORNER PULL OUT - ANTHRACITE

Includes baskets with a solid titanium base

### Features:

- Patented gas assisted piston to enable unique soft close and easy open action
- Easy installation - only 3 moving parts
- 35kg loading capacity divided between 4 baskets
- Minimum door size: 450mm
- Baskets have a solid titanium base with a complimentary Titanium trim

Cabinet	Depth	Width	Height	Capacity
900mm	485/560	860	640-800	35kg

CODE	ART. NO.	DESCRIPTION
JEL005	803	RH UNIT-RH DOOR/LH BLANK
JEL006	803	LH UNIT-LH DOOR/RH BLANK

**Note:** When fitting this product on handleless doors please ensure that the door bracket is fitted away from the handle groove to avoid the screw holes showing through.

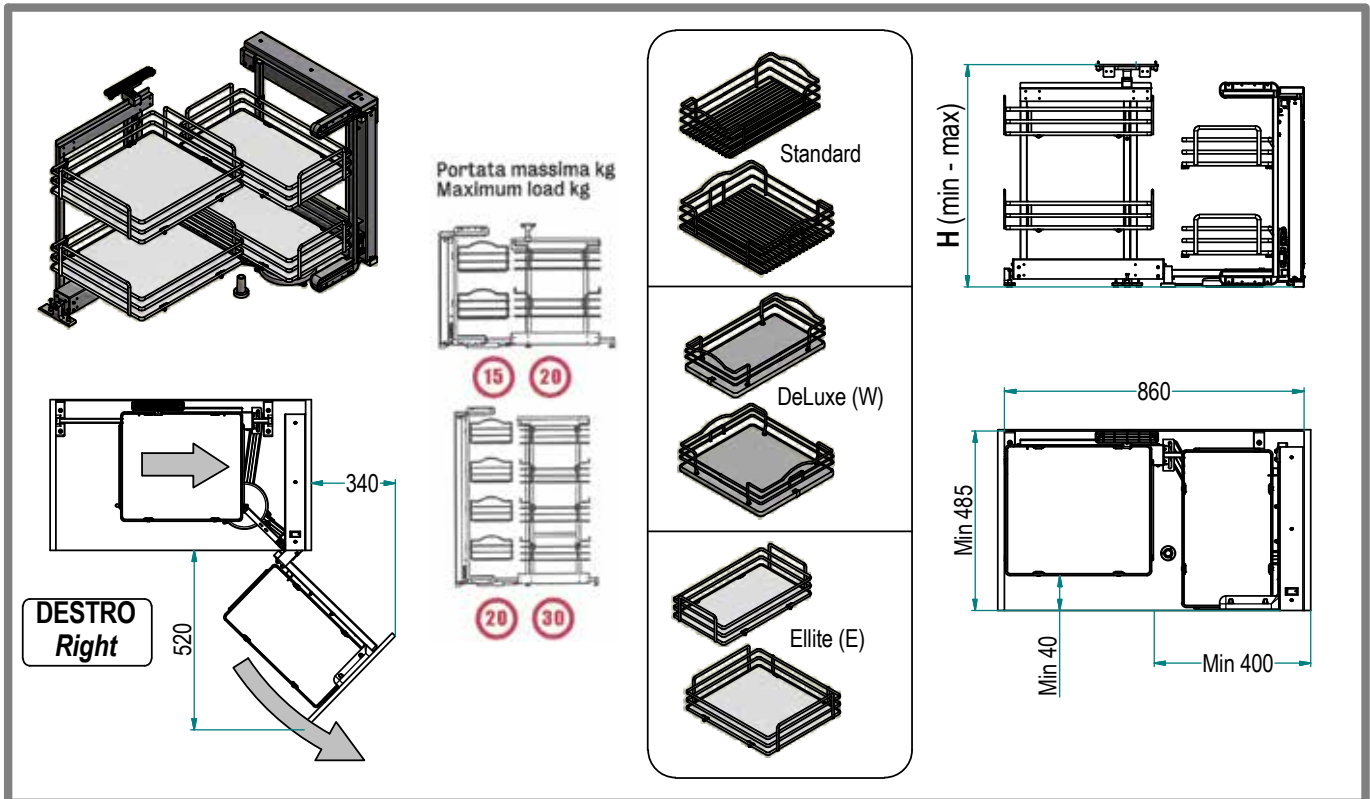


LH Chrome Corner Unit with wire baskets



LH Anthracite Corner Unit with solid base titanium baskets



**DYNAMIC CORNER**
**Art. 803**

**803 B (W) (AS) / SX C**
**Optional:**  
 AS: anti-scivolo / anti-slip

**Verso / Side:**  
 SX: sinistro / left  
 DX: destro / right

**Tipo di Cesto / Basket Type:**

 W: fondo in legno / wooden base  
 E: cesto in filo ovale / oval wire basket

**Finitura Cesto / Basket Finishing**

 C: cromato / chromed  
 G: verniciato / painted  
 T: Titanio / Titanium

**Fondo in legno / wooden base**

 B: bianco / white  
 G: grigio / grey  
 T: Titanio / Titanium  
 V: Vetro / Glass

**Altezza / Height:**

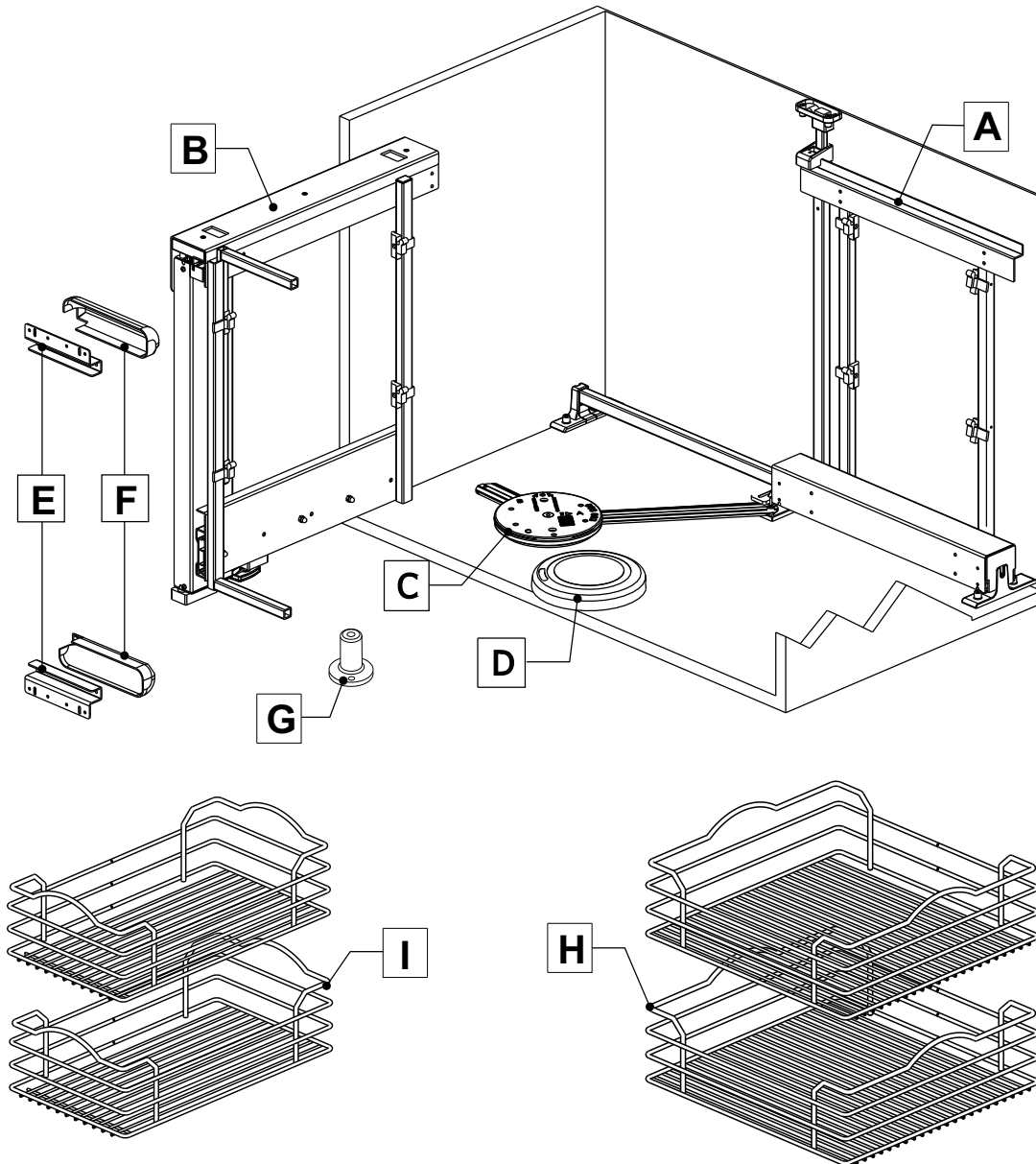
Code	H [mm] Min-Max
A	1100 - 1260
M	890 - 1050
B	640 - 800

**N.Cesti / n.Baskets:**

A	4+4
B	2+2

<b>Caratteristiche Principali</b>  <b>Main Features</b>	o Guide a sfere o Soft Close di serie o Cestello in filo cromato, verniciato o Titanio o Serie Deluxe (W) con fondo in nobilitato o Serie Ellite (E) con fondo in bilaminato o Cromatura Galvanica senza residui tossici o Verniciatura epossidica non tossica o Opzionale trattamento legno Anti-scivolo	o Ball guides o Soft-close as standard o Chromed, Painted or Titanium wire baskets o Deluxe serie (W) with laminated wood deck o Ellite serie (E) with bilaminated wood deck o Galvanic chromium plating without toxic residues o Not-toxic thermosetting epoxy coating o Anti-slip wood treatment available as optional
<b>Manutenzione</b> <b>Maintenance</b>	Pulire con un panno morbido ed asciutto. Evitare l'uso di solventi e/o abrasivi. Clean with a soft, dry cloth. Avoid using solvents or abrasive.	
<b>Istruzioni d'uso</b> <b>Use manual</b>	Consultare le INDICAZIONI DI MONTAGGIO per l'installazione del prodotto. See ASSEMBLY INSTRUCTIONS of product installation.	

**Art. 803** INDICAZIONI DI MONTAGGIO CONSIGLIATE  
ASSEMBLY SUGGESTED INSTRUCTION



(1)

- Inserire elemento "A" all'interno del mobile accostando i piedi del telaio allo schienale ed al fianco del lato di apertura; serrare con le viti pre-montate;

- Place element "A" inside the cabinet, positioning the feet of the frame next to the back panel and the opening side; fix in place using the pre-fitted screws;

(2)

- Sollevare la parte telescopica del montante stabilizzatore posteriore e serrare alla parte superiore del mobile con le viti pre-montate;

- Lift the telescopic part of the rear stabilising upright and fix it to the upper part of the cabinet using the pre-fitted screws;

(3)

- Rimuovere le due clips di colore "ROSSO" di tenuta del montate stabilizzatore e gettarle

- Remove the two "RED" sealing clips from the stabilising upright and throw them away.

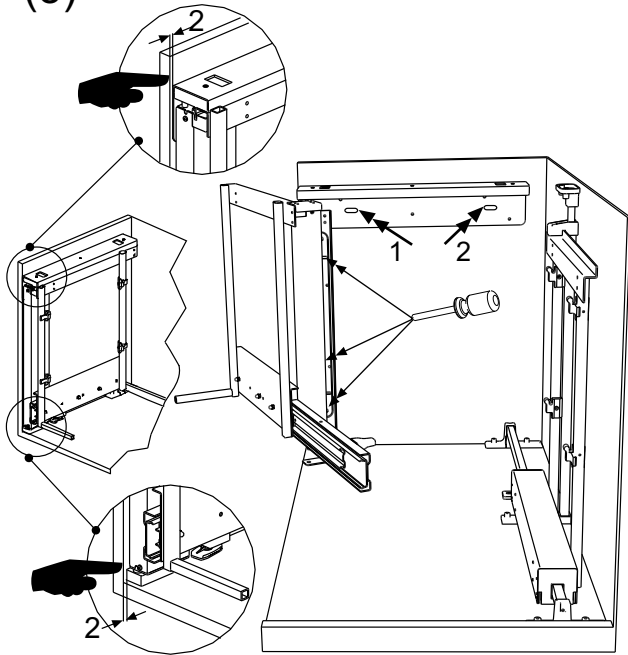
(4)

- Far scorrere il carrello e serrare le due viti del montante stabilizzatore;

- Slide the trolley and tighten the two screws on the stabilising upright;

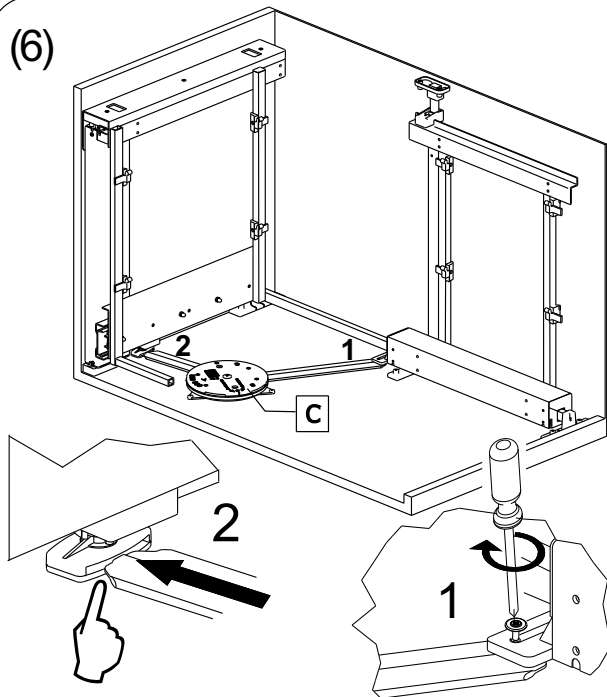


(5)



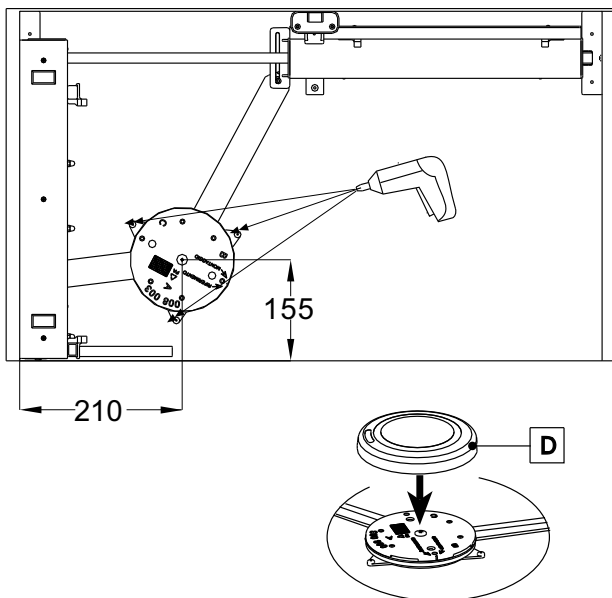
- Inserire l'elemento "B" all'interno del mobile facendo attenzione di posizionarlo a 2 mm dal bordo del mobile. Serrare con le viti in dotazione;
- Place element "B" inside the cabinet, making sure it is positioned 2 mm from the edge of the cabinet. Fix it in place using the screws provided;

(6)



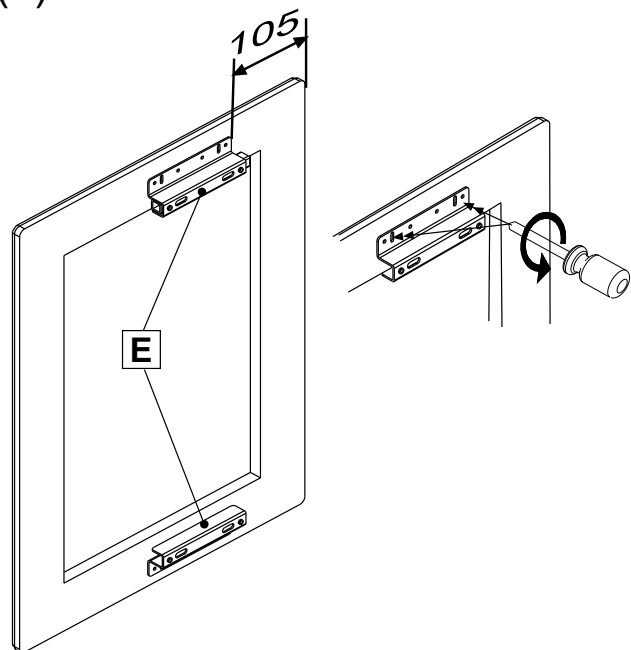
- Inserire il meccanismo di azionamento "C" collegandolo al carrello posteriore con l'apposita vite (dis. 1) ed inserire l'altra leva del meccanismo di azionamento nell'asola dell'elemento "B" (dis. 2);
- Insert the operating mechanism "C" by connecting it to the rear trolley using the corresponding screw (diagram 1) and insert the other operating mechanism lever in the slot for element "B" (diagram 2);

(7)



- Posizionare il meccanismo di azionamento serrandolo alla base del mobile con le viti pre-montate (vedi figura); inserire la cover "D" copri-mechanismo;
- Position the operating mechanism by fitting it to the base of the cabinet with the pre-fitted screws (see figure); fit the mechanism cover "D";

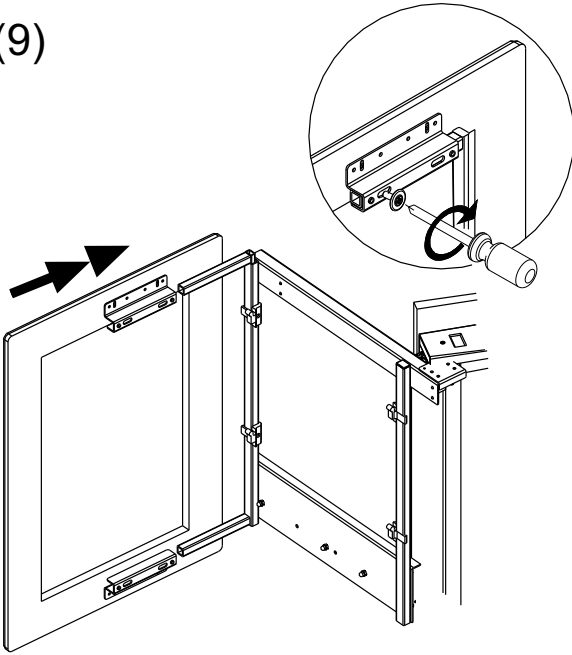
(8)



- Posizionare e fissare le staffe "E" all'anta ed avvitare con le viti in dotazione;
- Position and fix the brackets "E" to the door and screw it in place using the screws provided;

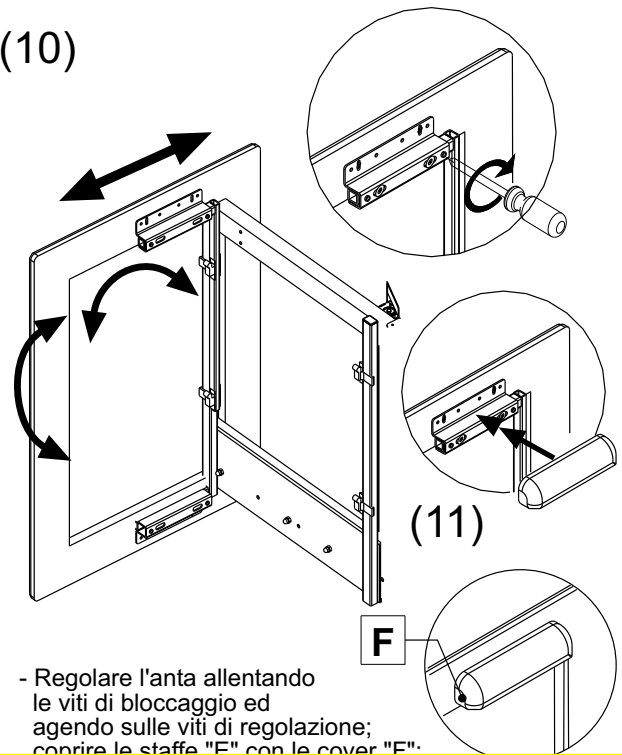


(9)



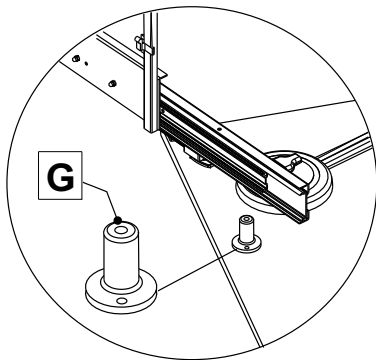
- Collegare l'anta completa delle staffe "E" al meccanismo e bloccare con le viti in dotazione;
- Connect the door, complete with brackets "E", to the mechanism and lock it in place using the screws provided;

(10)



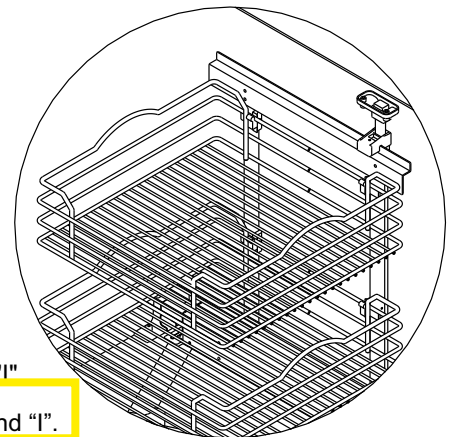
- Regolare l'anta allentando le viti di bloccaggio ed agendo sulle viti di regolazione; coprire le staffe "E" con le cover "F";
- Adjust the door by loosening the locking screws and by using the adjustment screws; cover the brackets "E" with the cover "F";

(12)



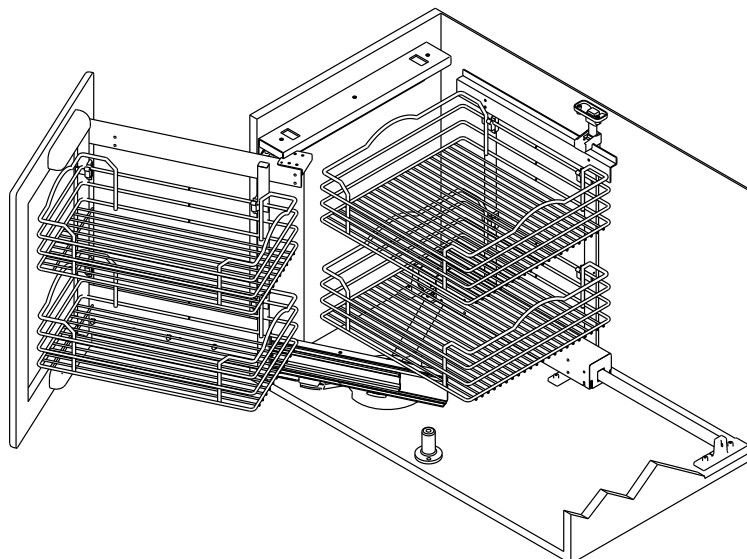
- Posizionare il supporto di fine corsa "G";
- Position the stop limit support "G";

(13)



- Posizionare i cestelli "H" e "I"
- Position the baskets "H" and "I".

**OK**





# Wirework

**MASSIMO UNIT - 500mm / 600mm Chrome**  
Includes metallic grey wire baskets

**Features:**

- Soft close action
- Minimum internal cabinet depth: 450mm
- Includes 5 baskets (recommended max loading 5kg / each basket)
- Powder coated metallic grey wire baskets

Cabinet	Depth	Width	Height	Capacity
500mm	480mm	399mm	1800mm	5kg/basket
600mm	480mm	499mm	1800mm	5kg/basket

CODE	ART. NO.	DESCRIPTION
JDY070	860X	500 MASSIMO CHROME UNIT
JDY071	860X	600 MASSIMO CHROME UNIT

**MASSIMO UNIT - 500mm Anthracite**  
Includes anthracite baskets with a solid titanium base

**Features:**

- Soft close action
- Minimum internal cabinet depth: 450mm
- Includes 5 baskets (recommended max loading 10kg / each basket)
- Titanium wire baskets with a solid titanium base

Cabinet	Depth	Width	Height	Capacity
500mm	480mm	399mm	1800mm	5kg/basket

CODE	ART. NO.	DESCRIPTION
JEL013	860X	500 MASSIMO ANTHRACITE UNIT





# SCHEDA TECNICA DI PRODOTTO

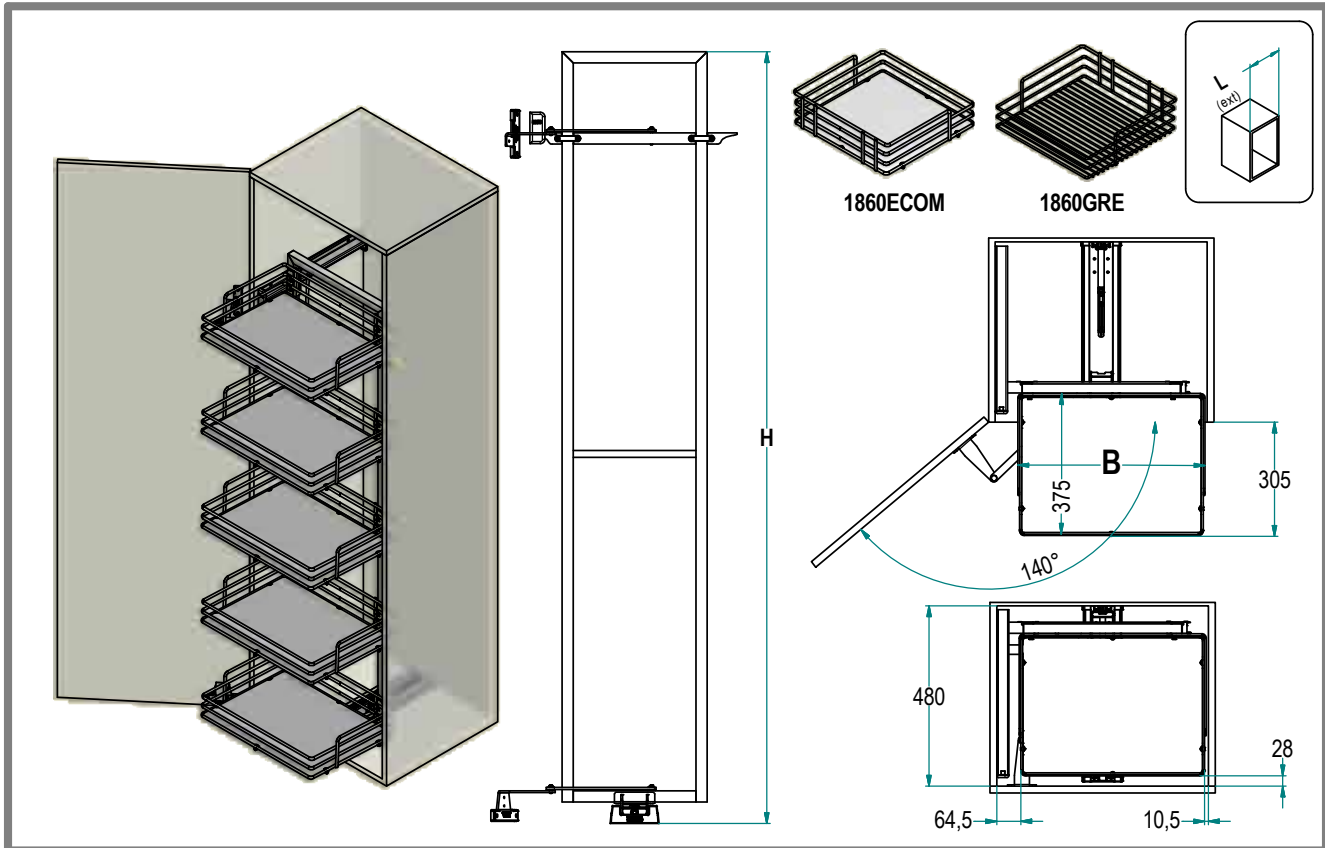
## Product Tech Datasheet

(in ottemperanza alla Legge 126/91 e al D.L. 101/97)

### Meccanismi - Mechanisms

Colonna telescopica ad accesso totale - Total access telescopic column

Art. **860X**



**860X A (E) / 45 GC**

Elite -  
Filo Ovale 10x5mm

**Finitura Finishing**

- CB: Basket Chromed / Shelf White / Structure Grey RAL7035
- CG: Basket Chromed / Shelf Grey RAL7035 / Structure Grey RAL7035
- T: Basket Titanium / Shelf Paint RAL7043 / Structure Paint RAL7043
- AR: Basket Paint RAL7043 / Shelf Paint RAL7043 / Structure Paint RAL7043
- CH: Basket Champagne / Shelf Paint Champagne / Structure Paint Champagne

**Altezza - Height**

	A (Height)	M (Medium)
H [mm]	1800	1200

**Larghezza - Width**

	L [mm]	B [mm]
30	300	199
40	400	299
45	450	349
50	500	399
60	600	499

<p><b>Caratteristiche Principali</b></p> <p><b>Main Features</b></p>	<ul style="list-style-type: none"> <li>o Cestelli in filo Ovale sezione 10x5</li> <li>o Struttura in ferro verniciato</li> <li>o Estrazione ed accesso totale</li> <li>o Portata Cesto: 5 kg</li> <li>o Soft Close di serie</li> </ul>	<ul style="list-style-type: none"> <li>o Oval wire 10x5 section baskets</li> <li>o Painted Iron Structure</li> <li>o Total Extraction and Access</li> <li>o Basket Capacity: 5 kg</li> <li>o Soft-close as standard</li> </ul>
<p><b>Manutenzione Maintenance</b></p>	<p>Pulire con un panno morbido ed asciutto. Evitare l'uso di solventi e/o abrasivi.</p> <p>Clean with a soft, dry cloth. Avoid using solvents or abrasive.</p>	
<p><b>Istruzioni d'uso Use manual</b></p>	<p>Consultare le INDICAZIONI DI MONTAGGIO per l'installazione del prodotto.</p> <p>See ASSEMBLY INSTRUCTIONS of product installation.</p>	

<p>Ufficio Tecnico INOXA s.r.l. Via dell'Industria 28/30 - 60020 Polverigi (AN) - www.inoxa.it</p>	<p>Documento NR. 141/2018</p>	<p>Data Emissione 11/10/2018</p>	<p>Rev. 02</p>
--	-----------------------------------	--------------------------------------	--------------------





# ISTRUZIONI DI MONTAGGIO

## Assembly Instructions

Art. **860X**

15 min	x 1	
--------	-----	--

4x18  
DIN 7505 B

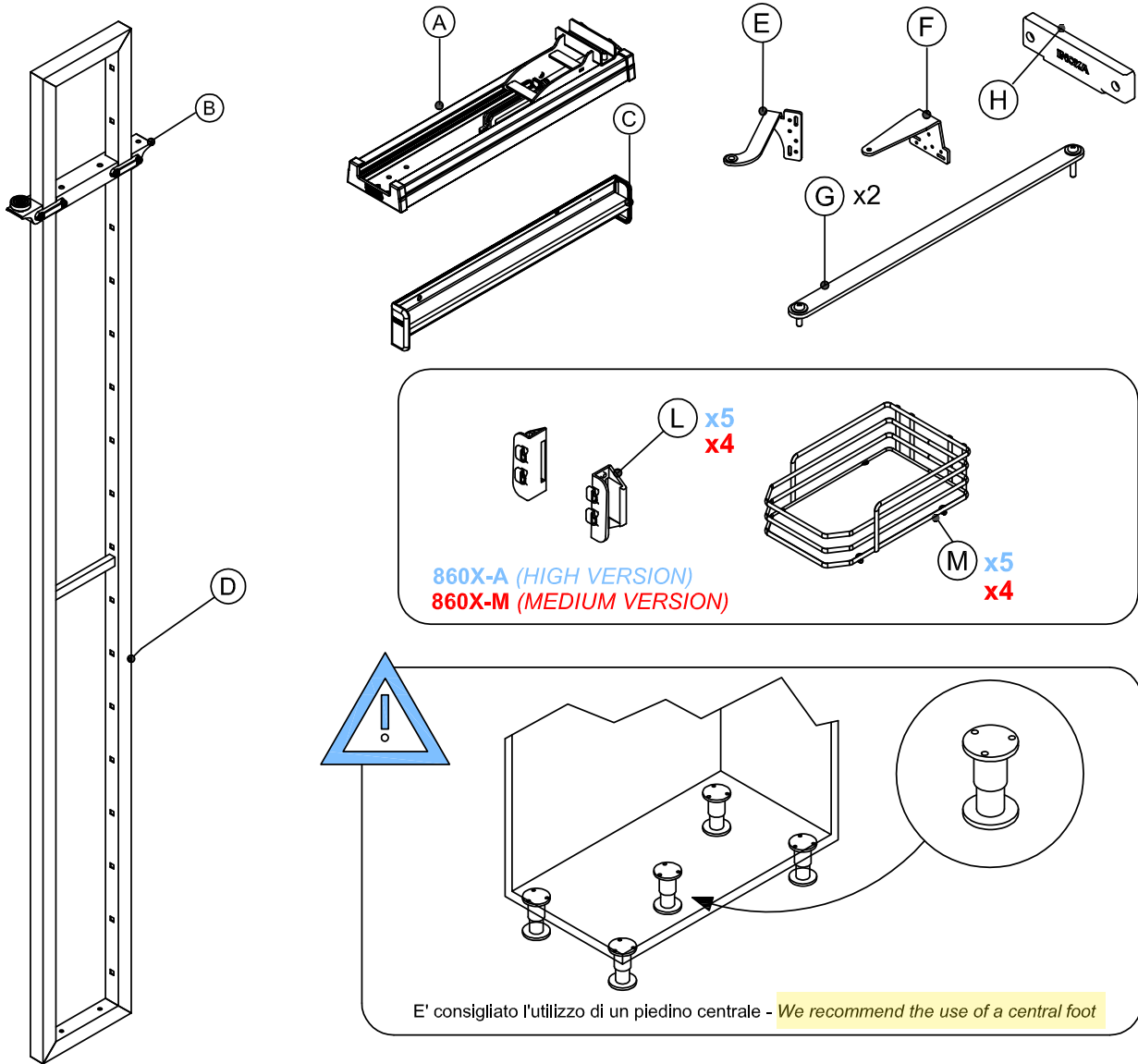
1  
x 12

Ø6.3 x 15

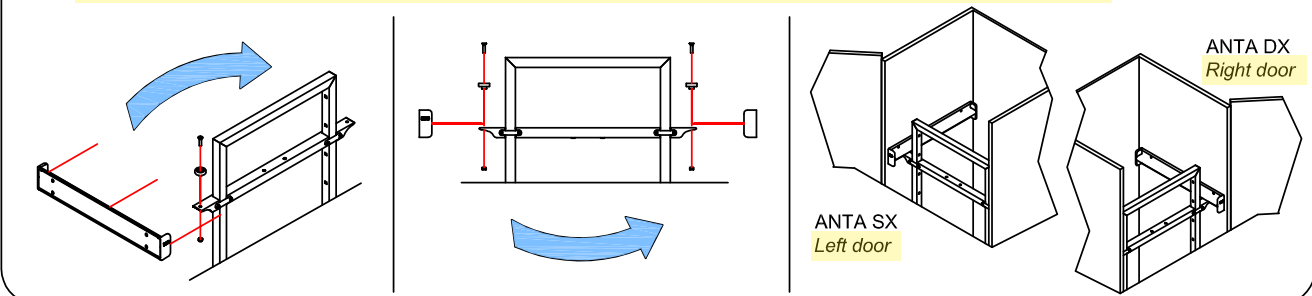
2  
x 16

M5x35

4  
x 1



**VERSIONE SX/DX - CON ANTA DX E' POSSIBILE POSIZIONARE GUIDA SU FIANCO DX CAMBIANDO POSIZIONE DEL CUSCINETTO**  
*LH/RH VERSION - is possible to change 860X configuration with RH door, changing rail&wheel position on the RH side*



**1**

L [mm]	A [mm]
300	132.5
450	190
500	232.5
600	282.5

**2**

Montaggio Anta Sinistra  
 Left-Hand door mounting

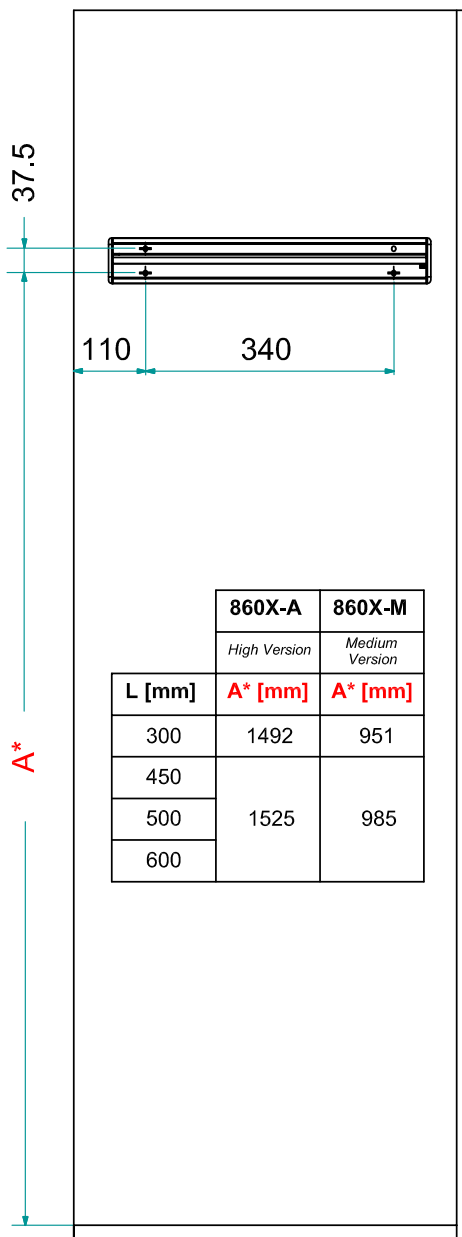
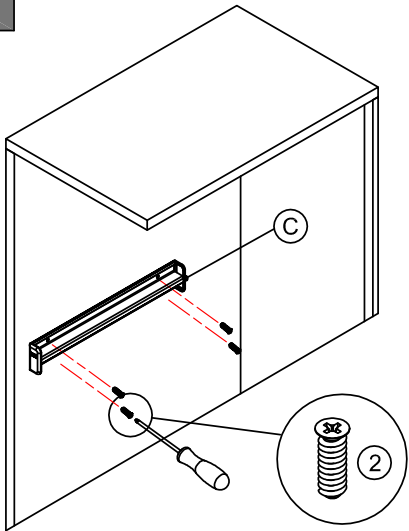
Montaggio Anta Destra  
 Right-Hand door mounting

Montaggio Anta Sinistra  
 Left-Hand door mounting

Montaggio Anta Destra  
 Right-Hand door mounting

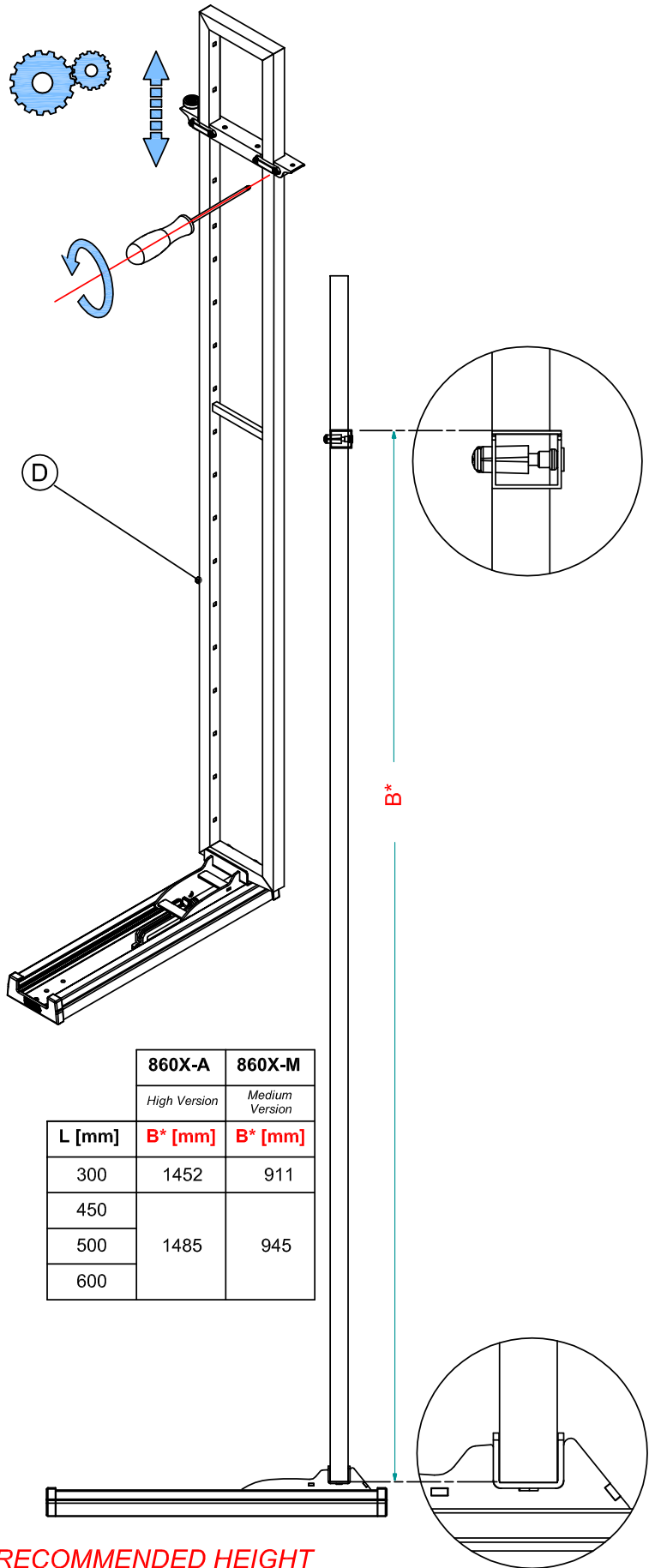


3



L [mm]	860X-A	860X-M
	High Version	Medium Version
300	A* [mm] 1492	A* [mm] 951
450	1525	985
500		
600		

4



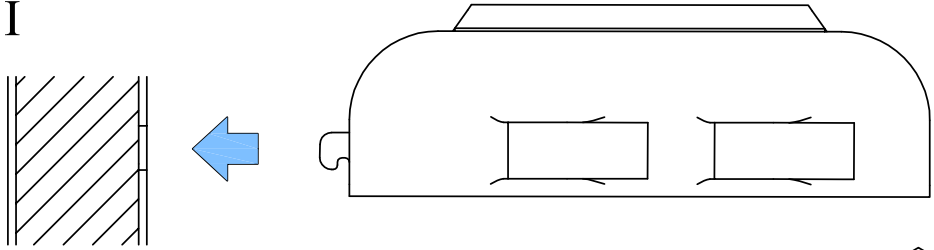
L [mm]	860X-A	860X-M
	High Version	Medium Version
300	B* [mm] 1452	B* [mm] 911
450	1485	945
500		
600		

\* = ALTEZZA CONSIGLIATA - RECOMMENDED HEIGHT

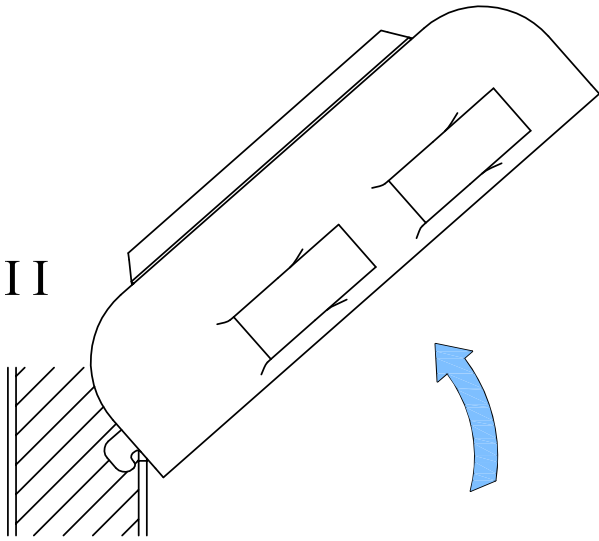


5

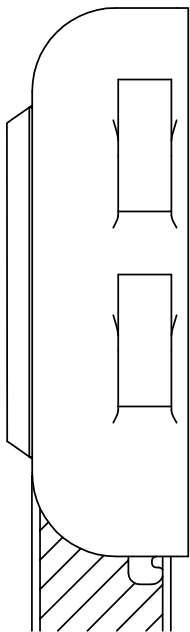
I



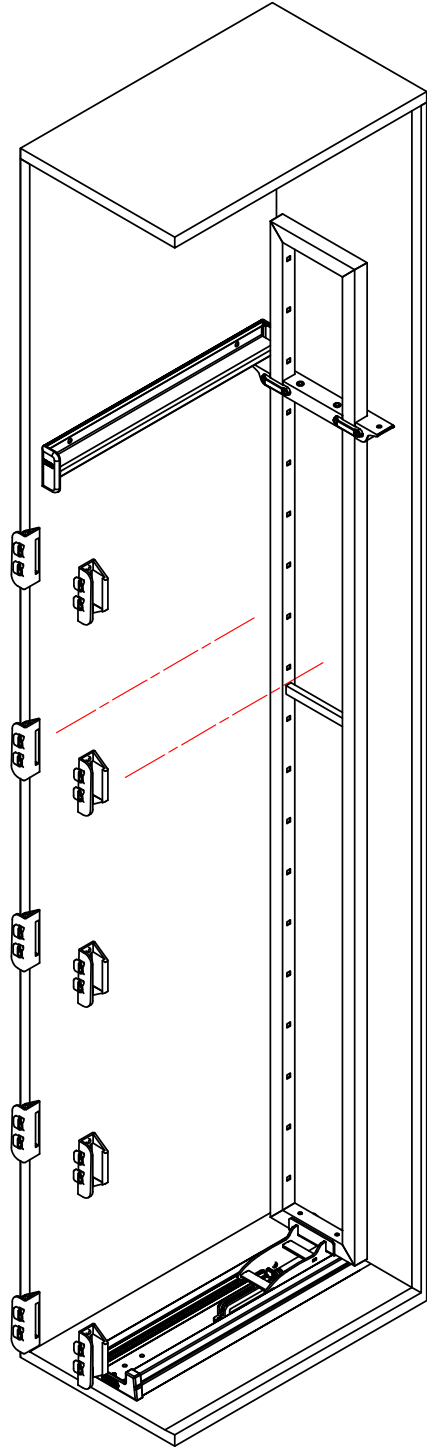
II



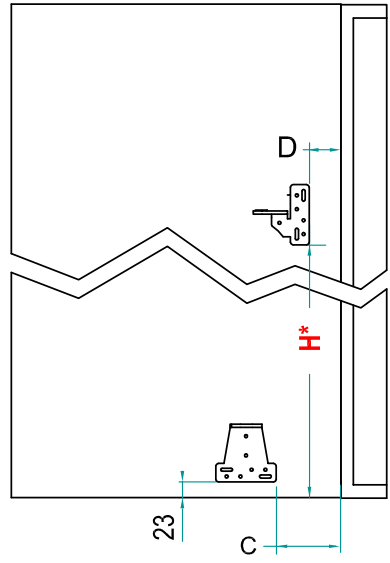
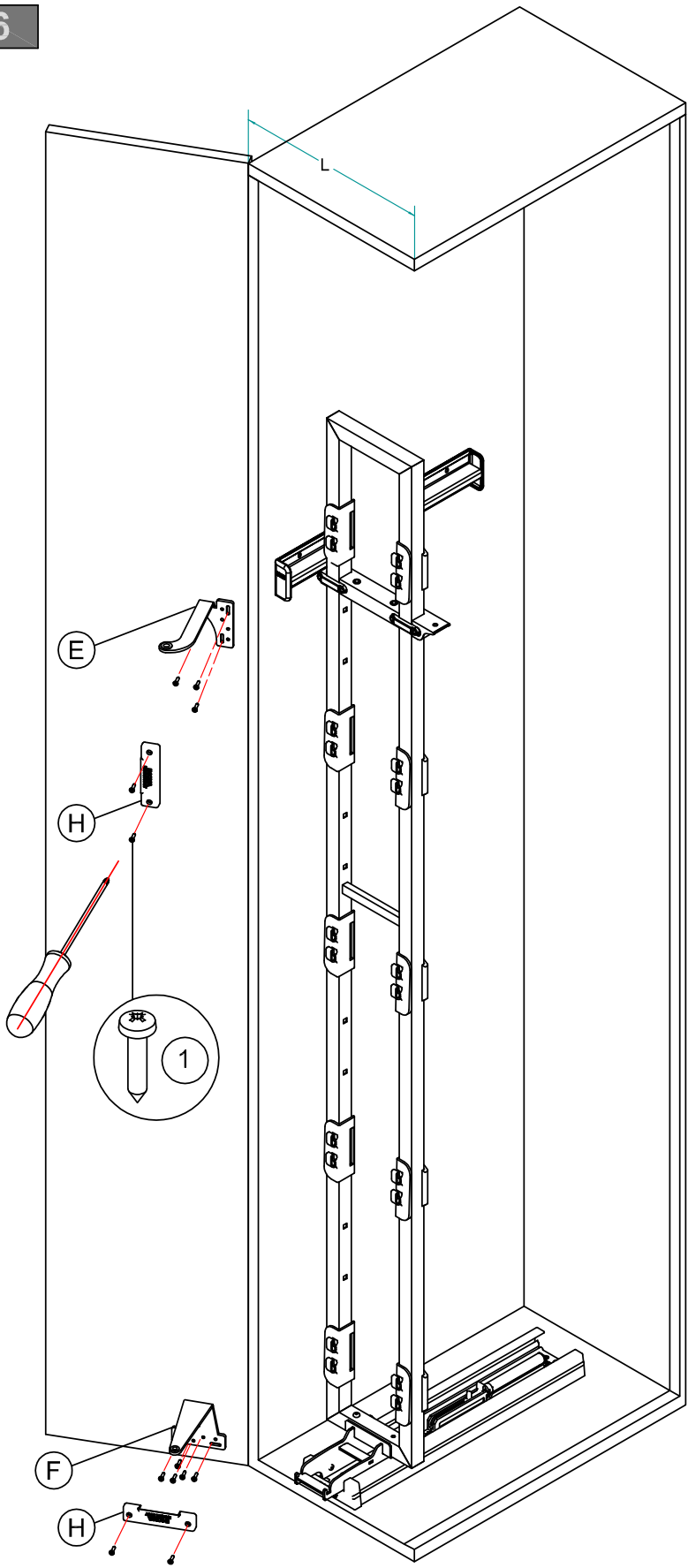
III



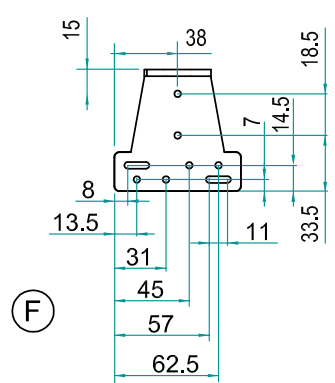
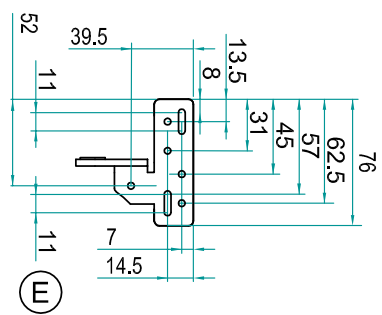
CLICK!



6



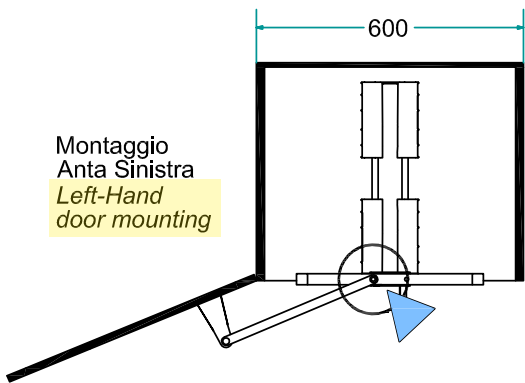
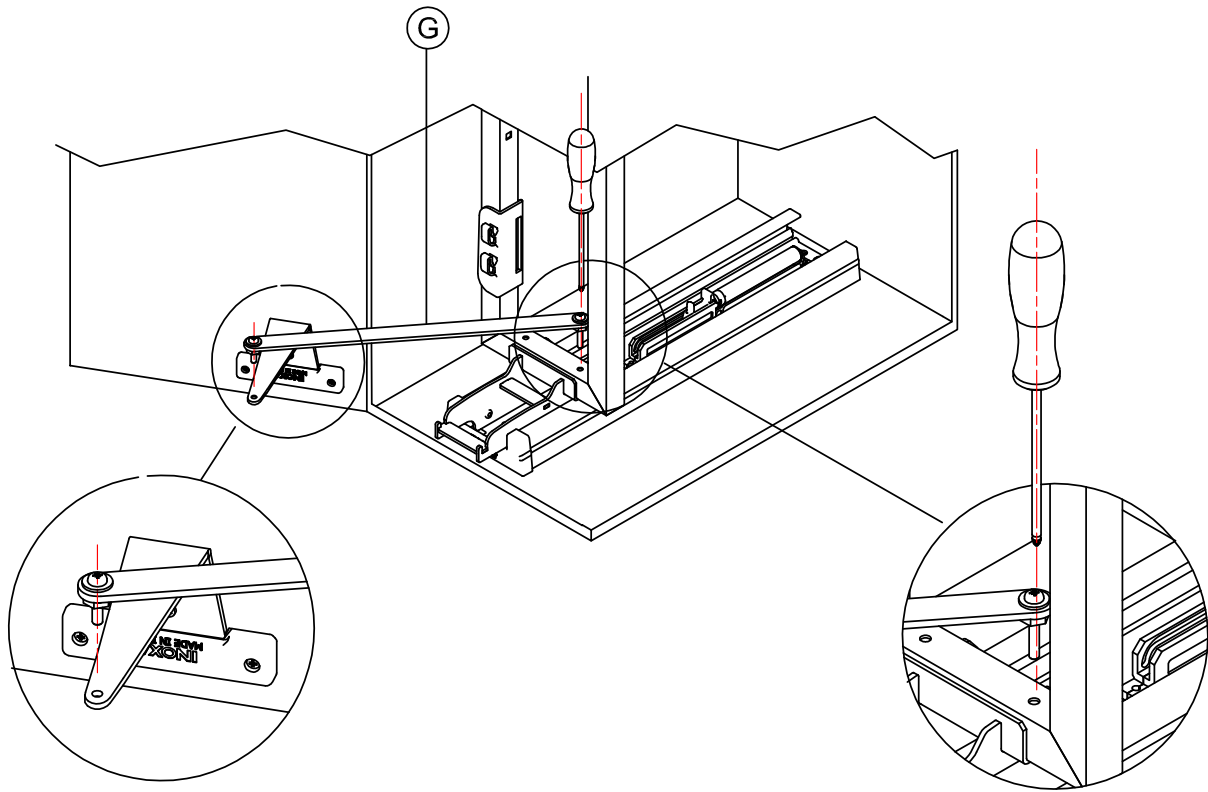
L [mm]	C [mm]	D [mm]	860X-A	860X-M
			High Version	Medium Version
300	45	23	1477	937
450	45	23	1510	971
500	45	23		
600	45	23		



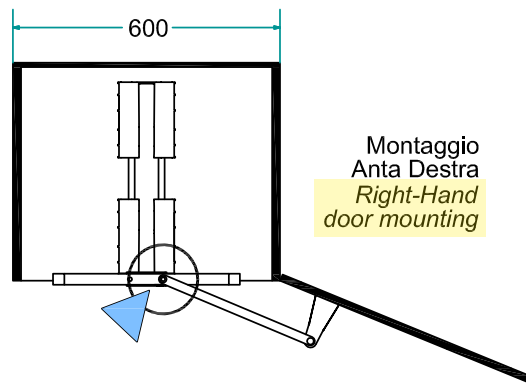
\* = ALTEZZA CONSIGLIATA  
RECOMMENDED HEIGHT



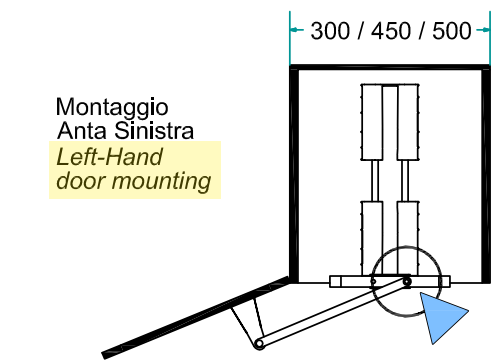
7



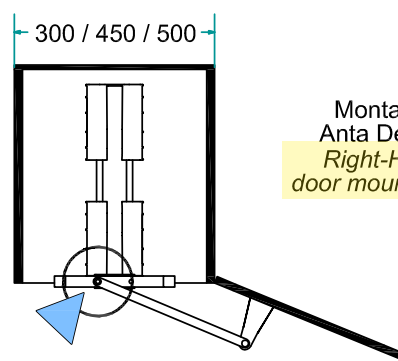
Montaggio  
Anta Sinistra  
Left-Hand  
door mounting



Montaggio  
Anta Destra  
Right-Hand  
door mounting



Montaggio  
Anta Sinistra  
Left-Hand  
door mounting

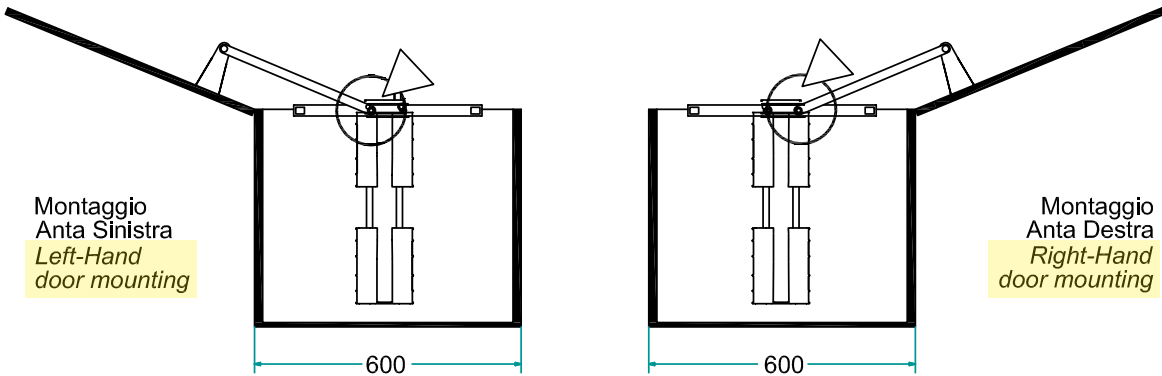
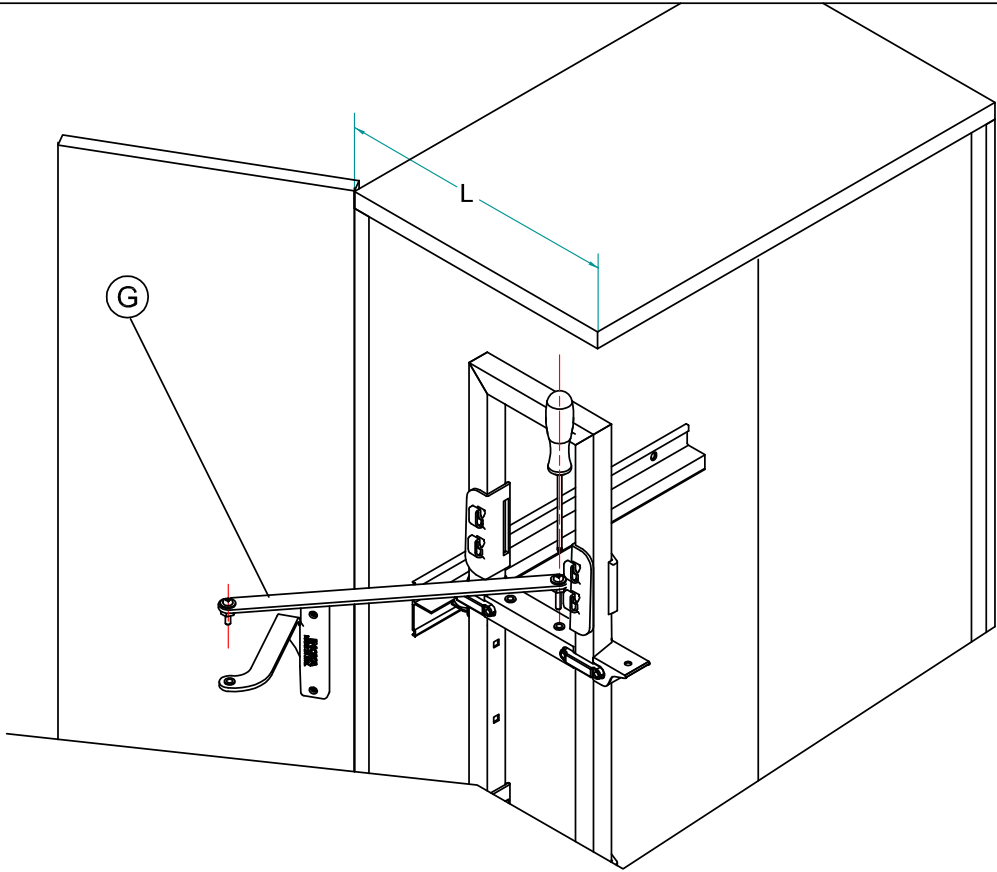


Montaggio  
Anta Destra  
Right-Hand  
door mounting



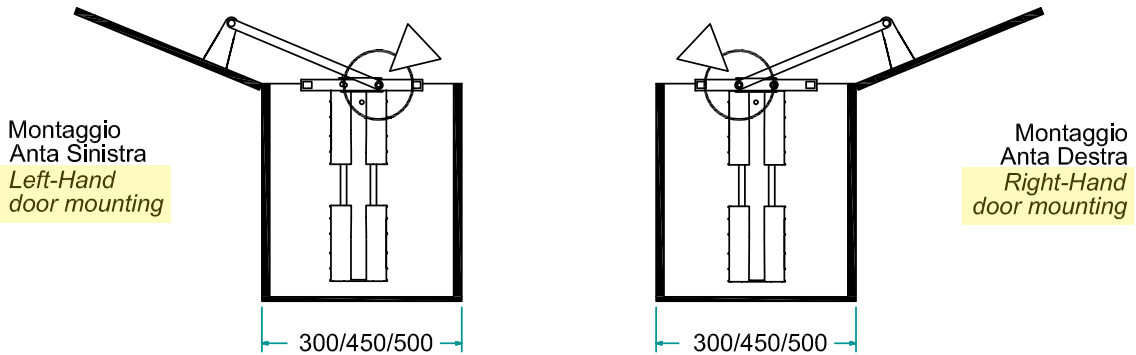


8



Montaggio  
Anta Sinistra  
Left-Hand  
door mounting

Montaggio  
Anta Destra  
Right-Hand  
door mounting



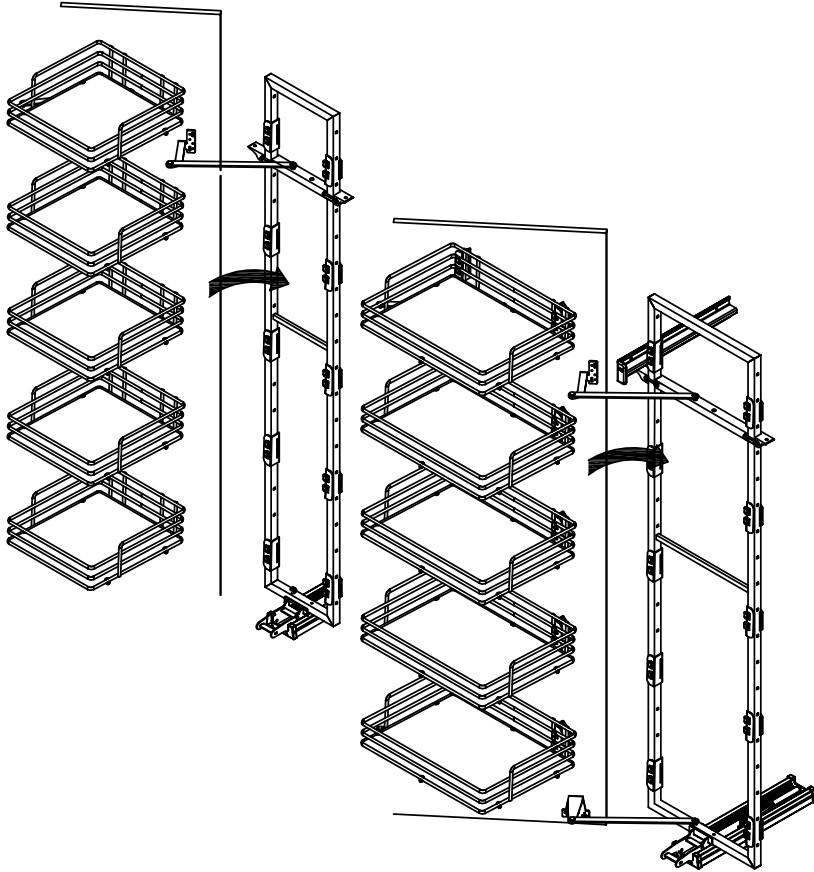
Montaggio  
Anta Sinistra  
Left-Hand  
door mounting

Montaggio  
Anta Destra  
Right-Hand  
door mounting

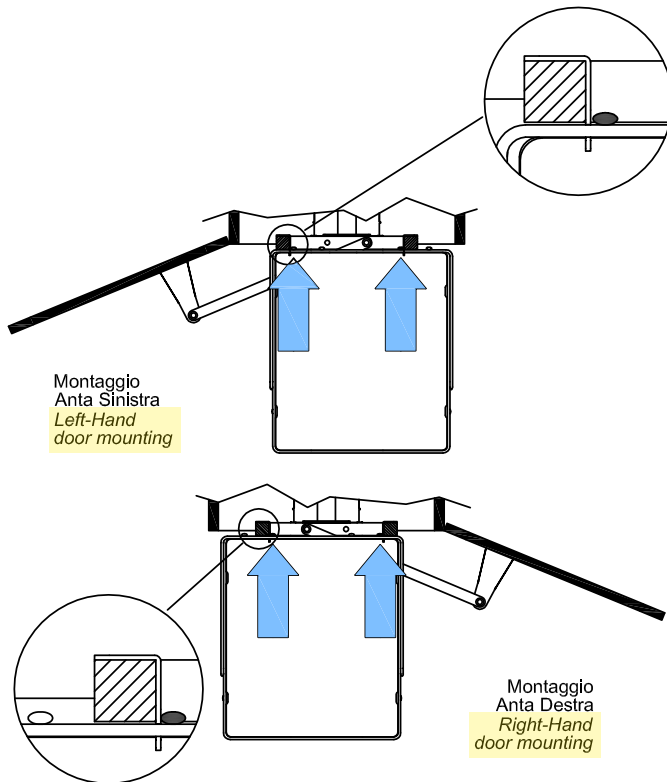
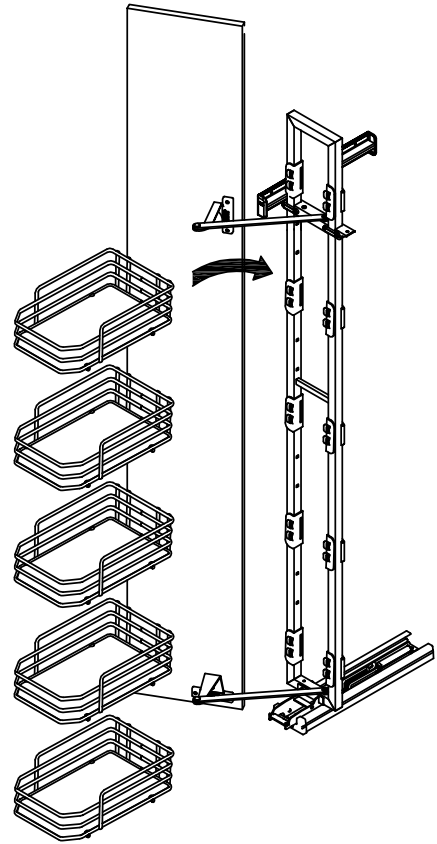


9

450 500 AND 600



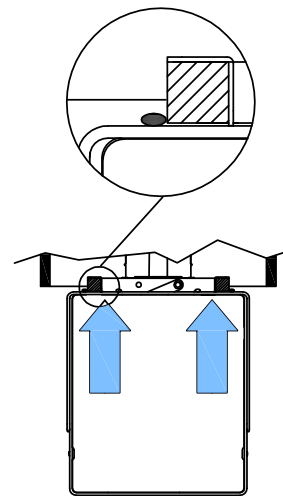
300



Montaggio Anta Sinistra  
Left-Hand door mounting

Montaggio Anta Destra  
Right-Hand door mounting

300: Cesti in posizione Centrale  
300: Baskets in central position



# Wirework

## TALL LARDER UNIT - 300 / 400mm, Metallic Grey

Includes grey baskets

### Features:

- New improved gas piston (x2) assisted soft close action
- Includes 5 baskets (recommended max loading 15kg/each basket)
- Powder coated metallic grey wire baskets

Cabinet	Depth	Width	Height	Capacity
300mm	480	250	1860-2185	110kg
400mm	480	350	1860-2185	110kg

PRODUCT CODE	ART. NO.	DESCRIPTION
JDY080	852	300 TALL LARDER UNIT - powder coated metallic grey baskets
JDY081	852	400 TALL LARDER UNIT - powder coated metallic grey baskets

**Note:** When fitting this product on handleless doors please ensure that the door bracket is fitted away from the handle groove to avoid the screw holes showing through.





# SCHEDA TECNICA DI PRODOTTO

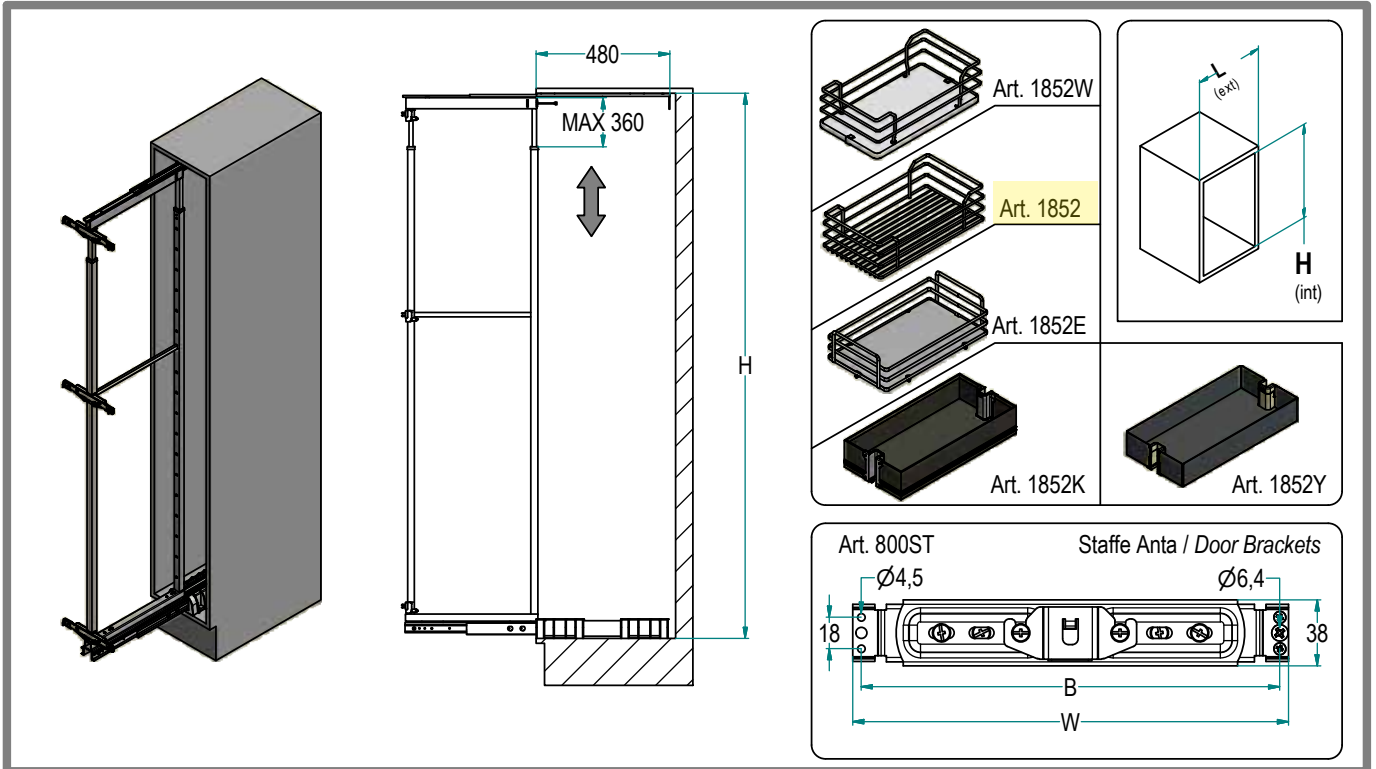
## Product Tech Datasheet

(in ottemperanza alla Legge 126/91 e al D.L. 101/97)

### Meccanismi - Mechanisms

Colonna telescopica ad estrazione totale - Total extraction telescopic column

Art. **852**



**852 A / 30 G FD**

#### Larghezza - Width

L [cm]	W [mm]	B [mm]
20	150	140
30	250	240
40	350	340
45	400	390
50	450	440
60	550	540

#### Finitura - finishing

G - Grigio Chiaro / Light Grey RAL 7035  
 AR - Grigio "Ardesia" / "Ardesia" dark grey RAL7043  
 CH - Champagne

#### Altezza - Height

Cod.	H min [mm]	H Max [mm]	Cesti / Baskets *
H - Altissima/Higher	2180	2530	5
A - Alta/High	1860	2185	5
M - Media/Medium	1515	1865	4
B - Bassa/Low	1170	1520	3
S - Small	825	1175	2

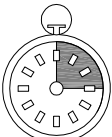

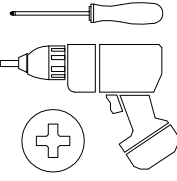
#### Imballo - Packaging



[...] - Imballi separati / separated boxes  
 FD / FDF - Imballo telaio+staffe / frame and brackets together

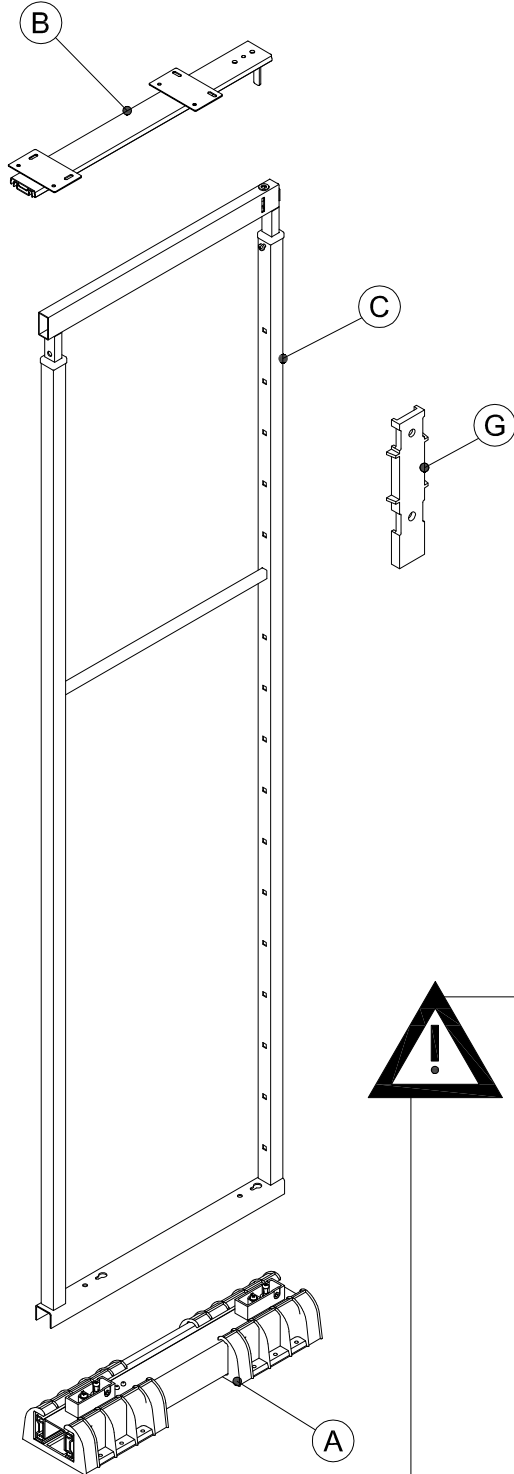
<b>Caratteristiche Principali</b> <b>Main Features</b>	<ul style="list-style-type: none"> <li>o Guide a sfere</li> <li>o Estrazione totale</li> <li>o Portata Guida: 110 kg</li> <li>o Soft Close di serie</li> <li>o Cestelli forniti separatamente</li> </ul>	<ul style="list-style-type: none"> <li>o Ball Slides</li> <li>o Total Extractions</li> <li>o Slide Capacity: 110 kg</li> <li>o Soft-close as standard</li> <li>o Basket supplied separately</li> </ul>
<b>Manutenzione</b> <b>Maintenance</b>	Pulire con un panno morbido ed asciutto. Evitare l'uso di solventi e/o abrasivi. Clean with a soft, dry cloth. Avoid using solvents or abrasive.	
<b>Istruzioni d'uso</b> <b>Use manual</b>	Consultare le INDICAZIONI DI MONTAGGIO per l'installazione del prodotto. See ASSEMBLY INSTRUCTIONS of product installation.	

Ufficio Tecnico INOXA s.r.l. Via dell'Industria 28/30 - 60020 Polverigi (AN) - www.inoxa.it	Documento NR. 159/2019	Data Emissione 02/01/2021	Rev. 02
--	---------------------------	------------------------------	------------



 10 min	 x 1	
---	--	---

 4.5x25 DIN 7505 B 1 x 12	 3.5x16 DIN 7505 B 2 x 8
--	--



**CESTELLI - Baskets**

**Art. 1816 - Wire**

**Art. 1204W - DeLuxe**

**Art. 1204E - Elite**

**E' consigliato l'utilizzo di un piedino centrale**  
*We recommend the use of a central foot*



**1**

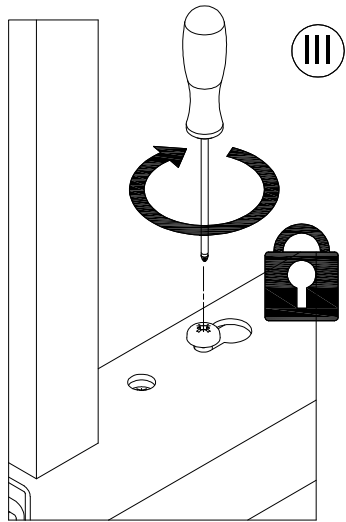
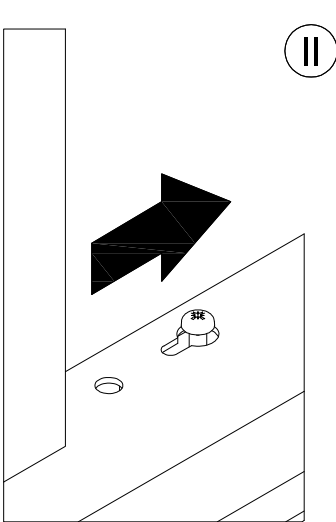
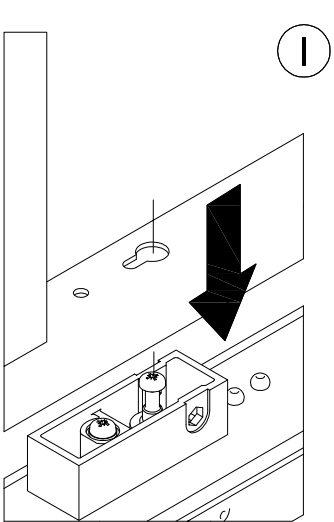
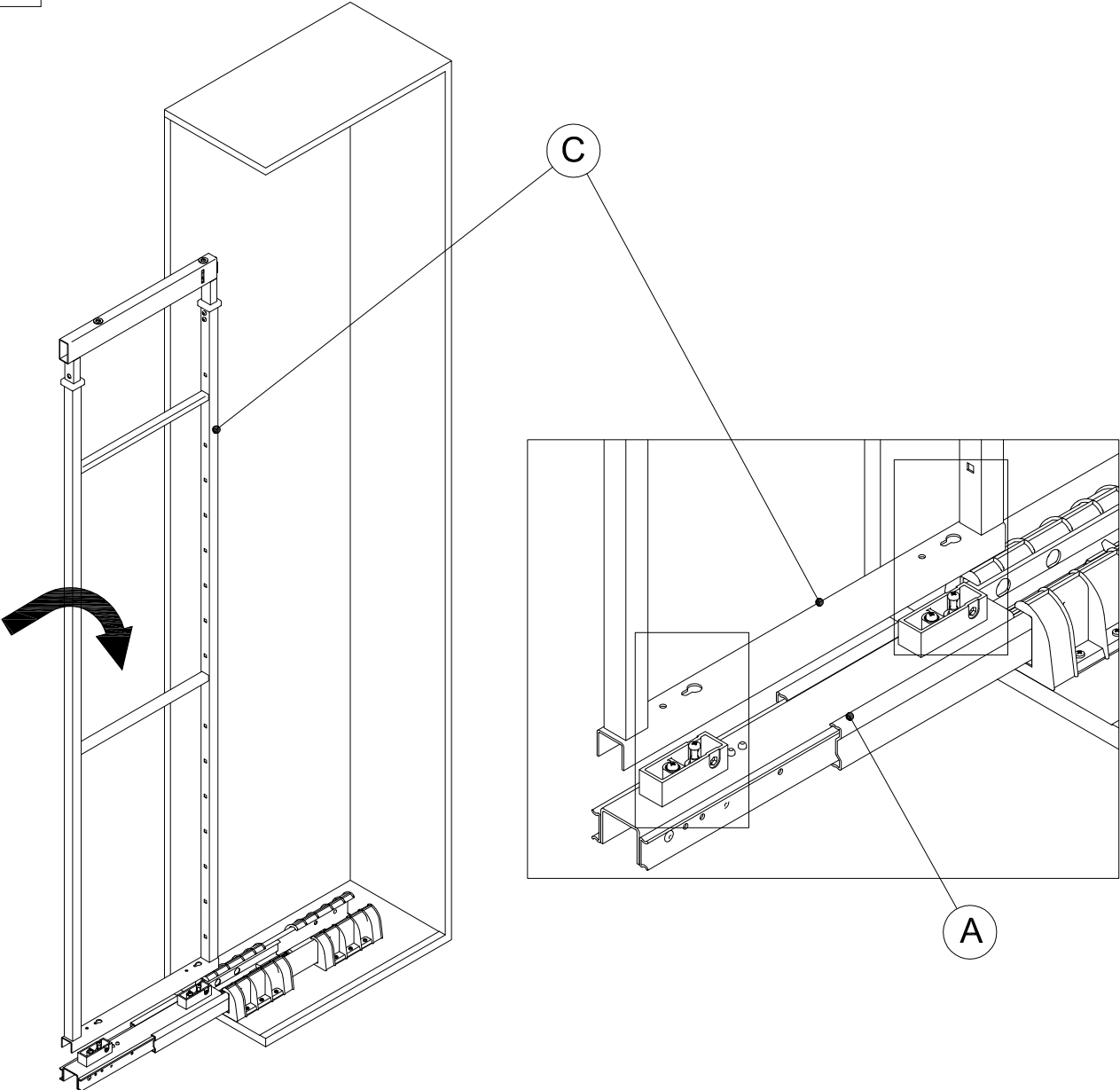
L [mm]	A [mm]
300	97
400	107
450	157
500	207
600	307

**2**

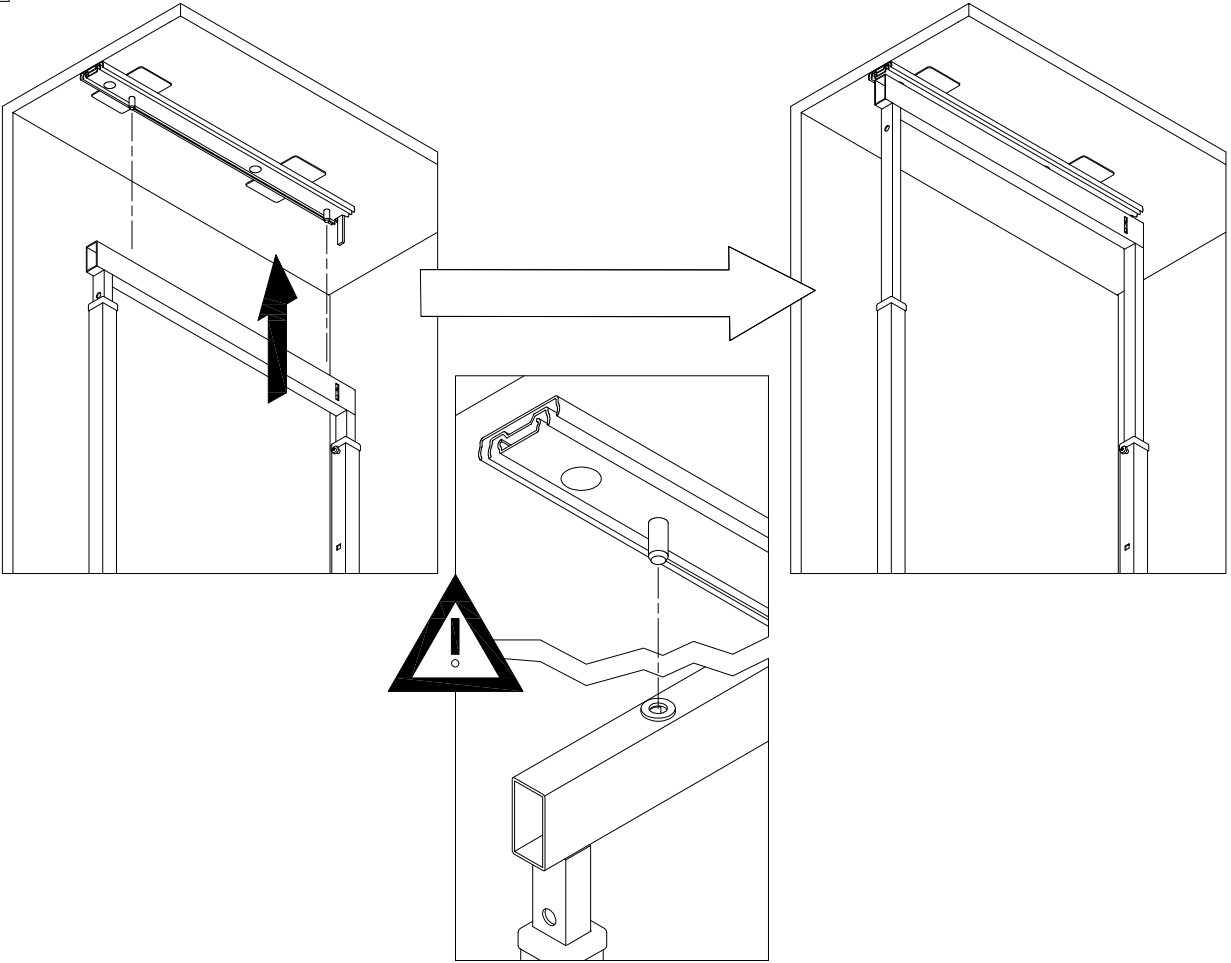
L [mm]	C [mm]
300	118
400	168
450	193
500	218
600	268



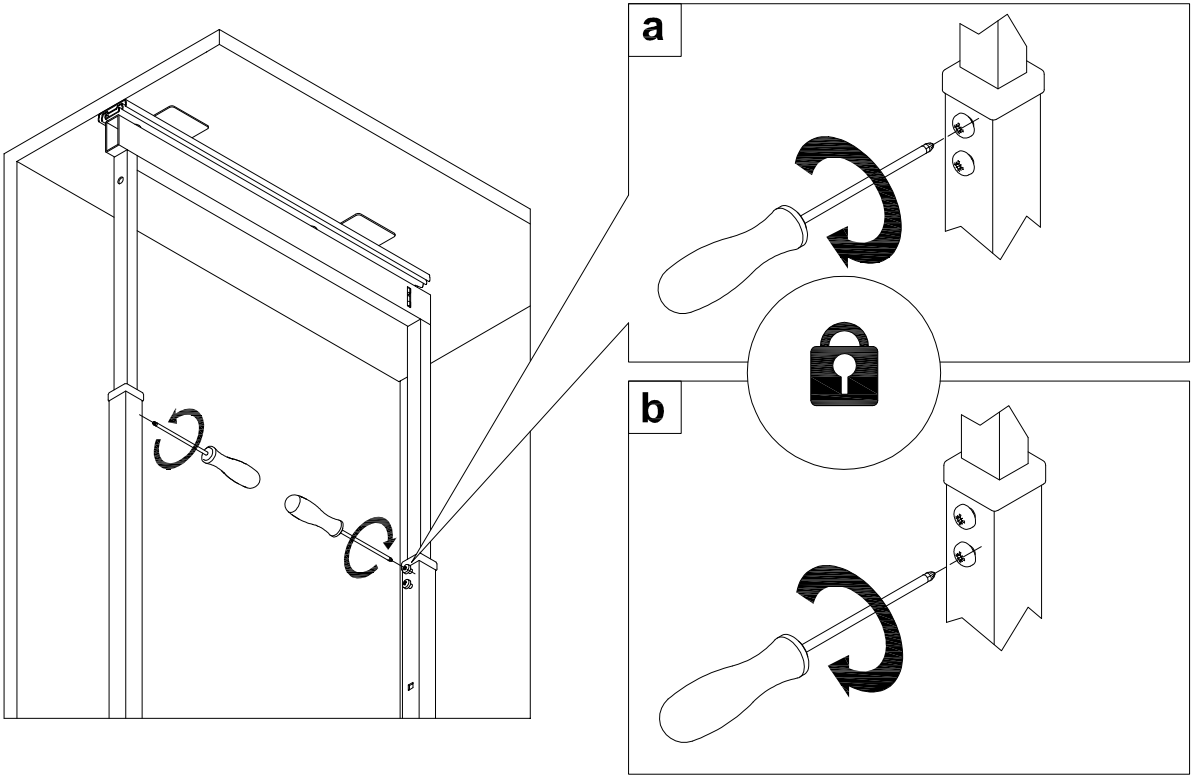
3



4

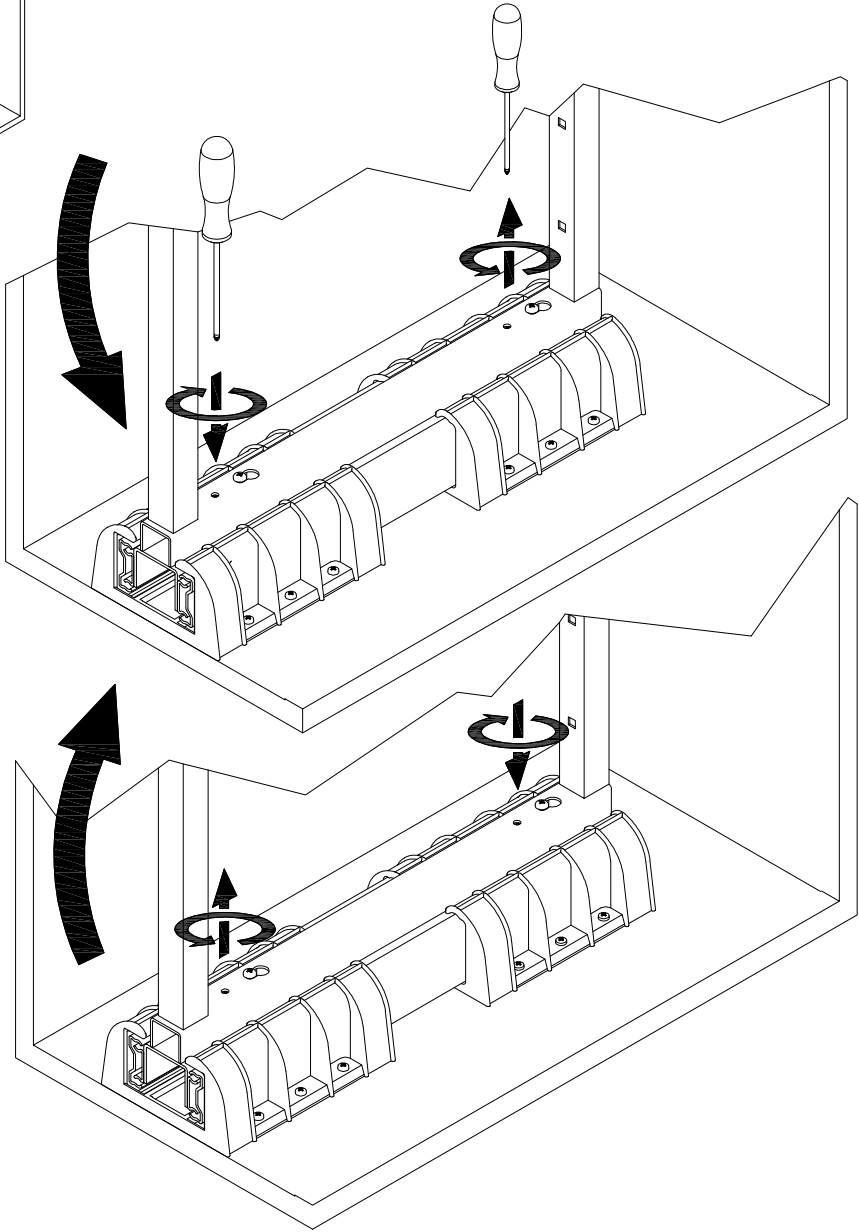
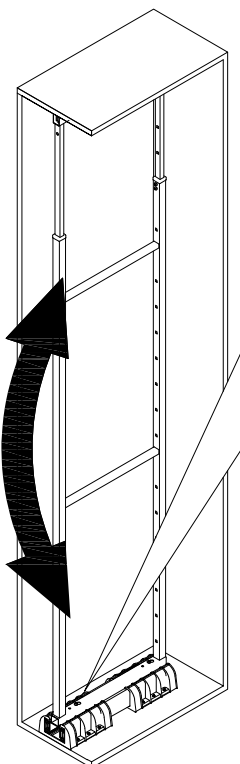
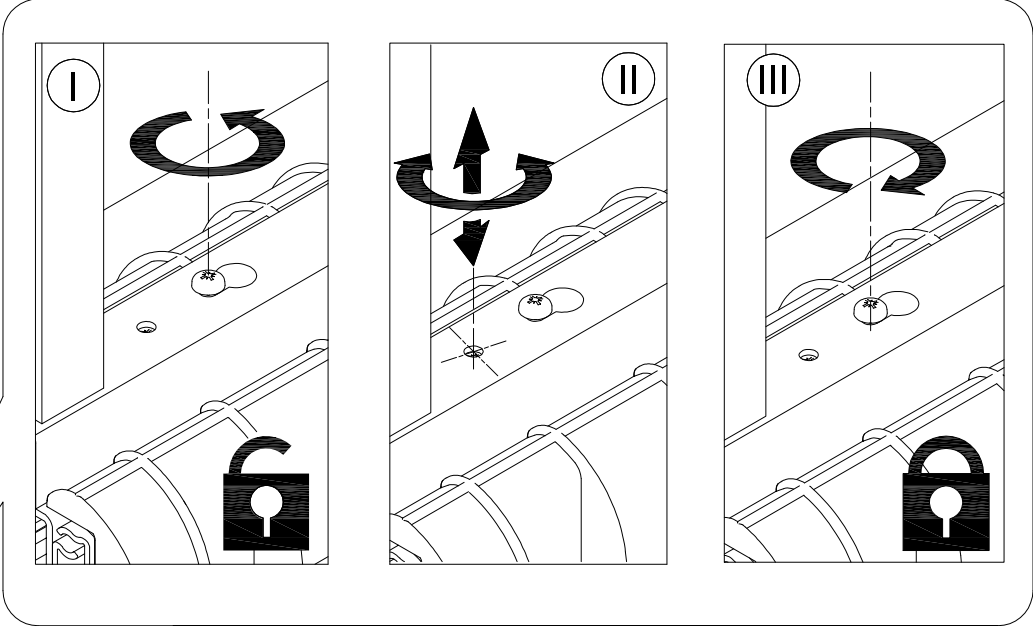


5

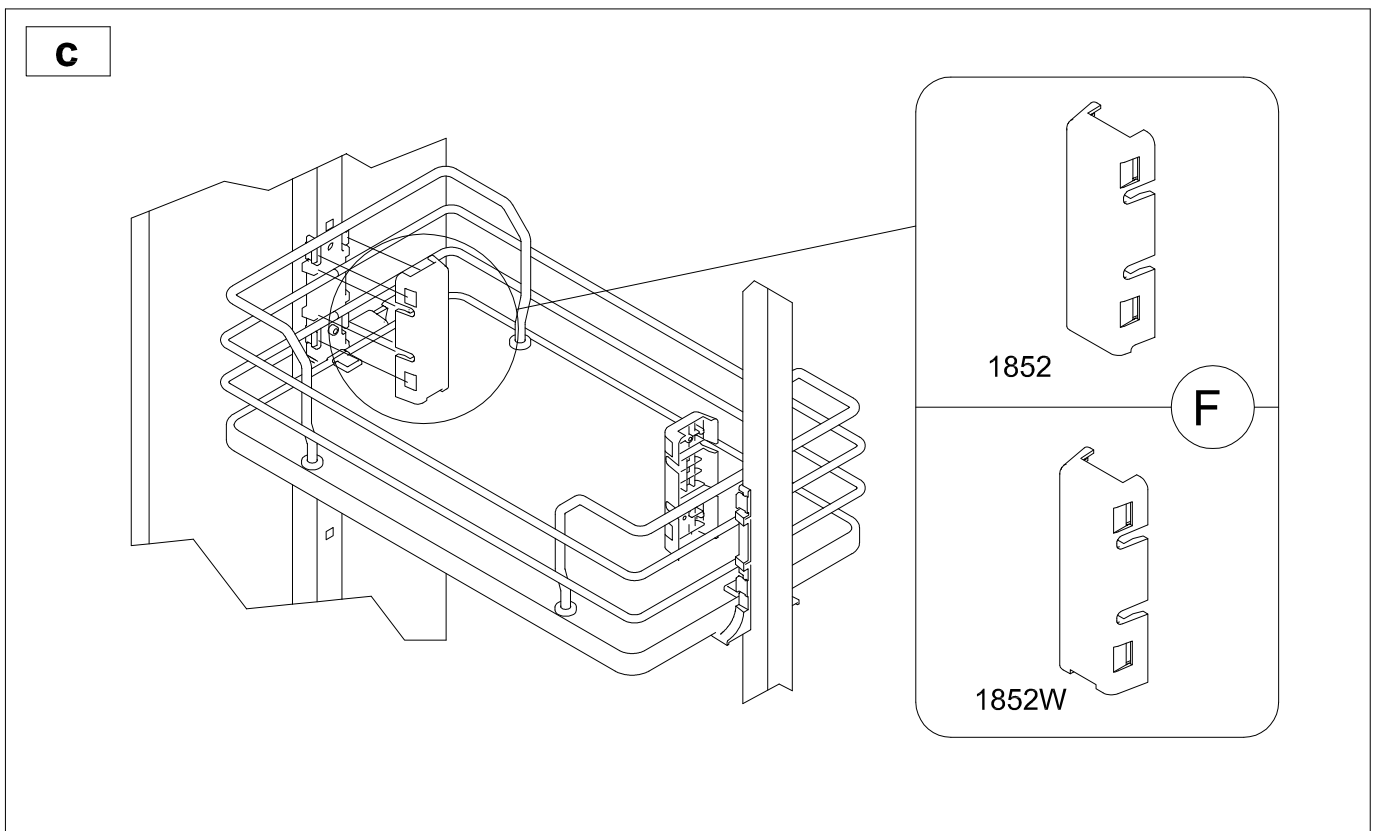
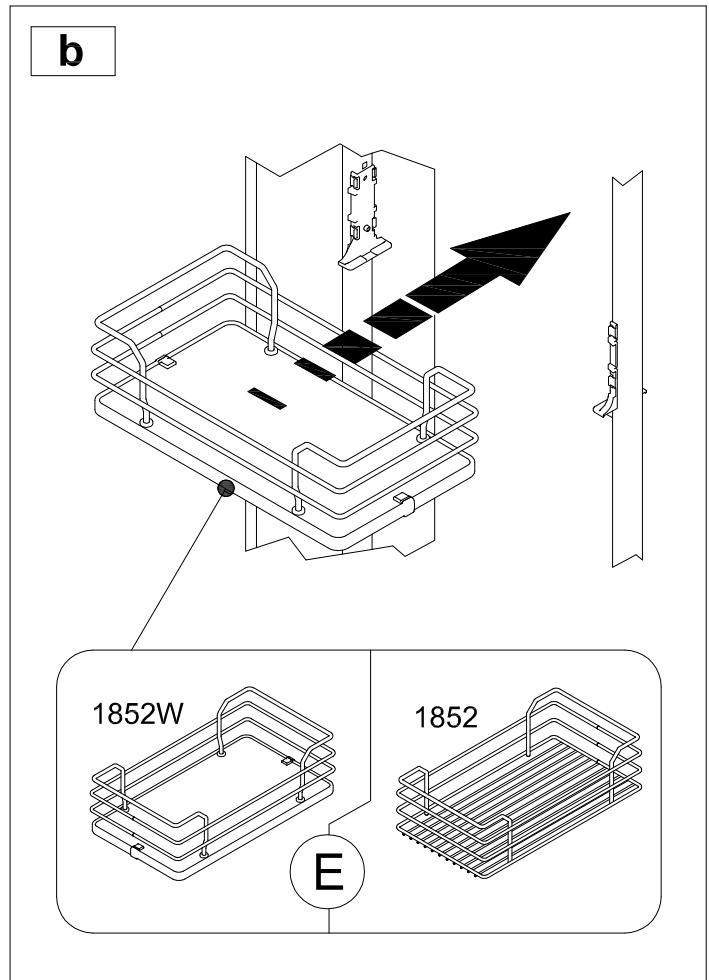
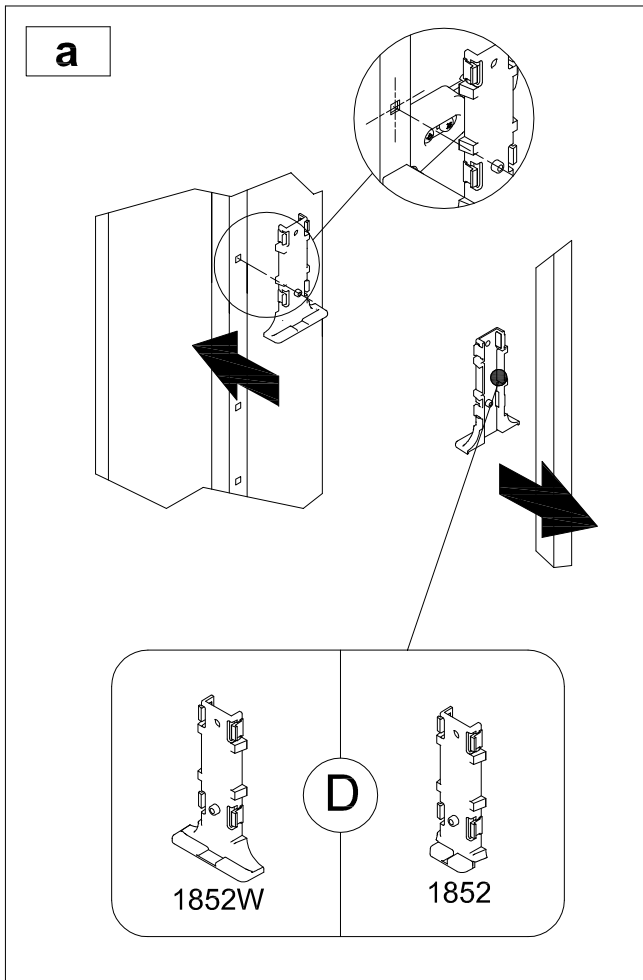




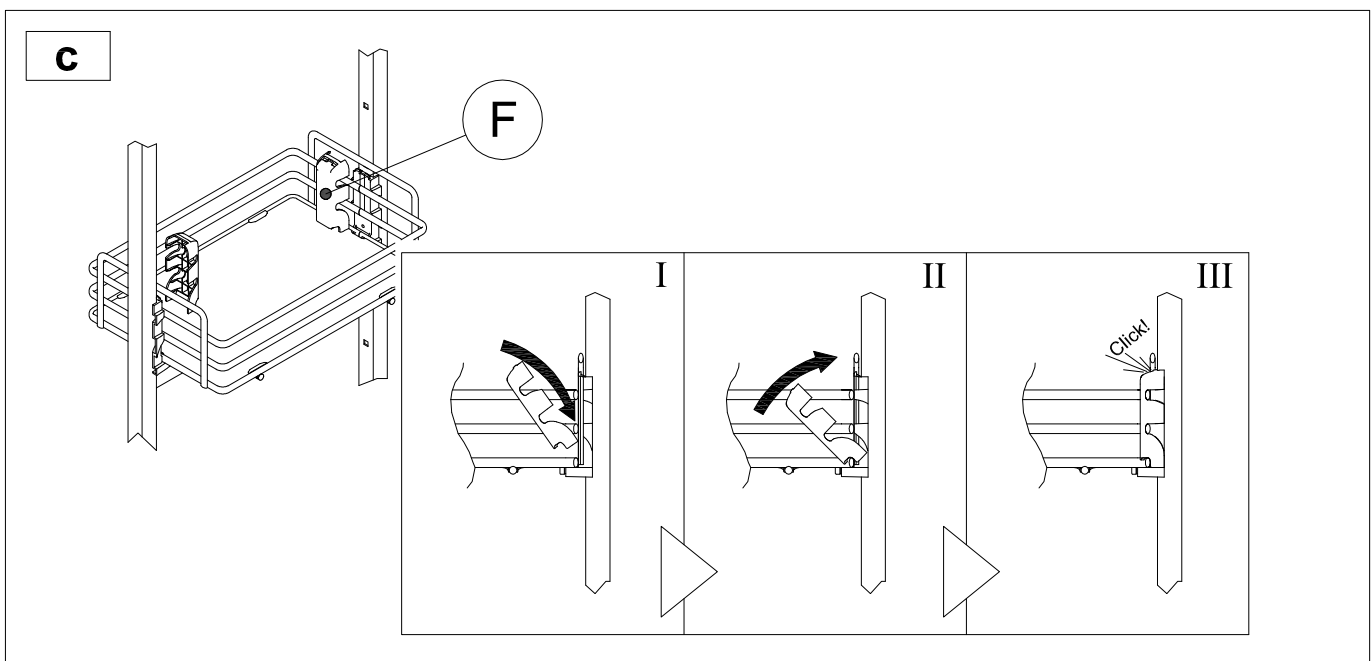
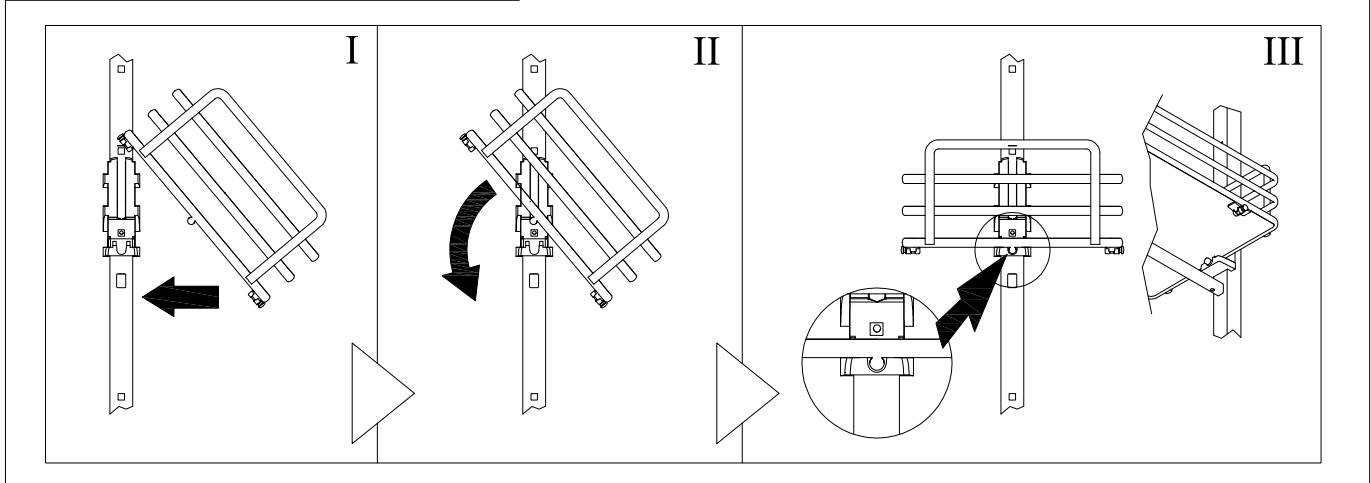
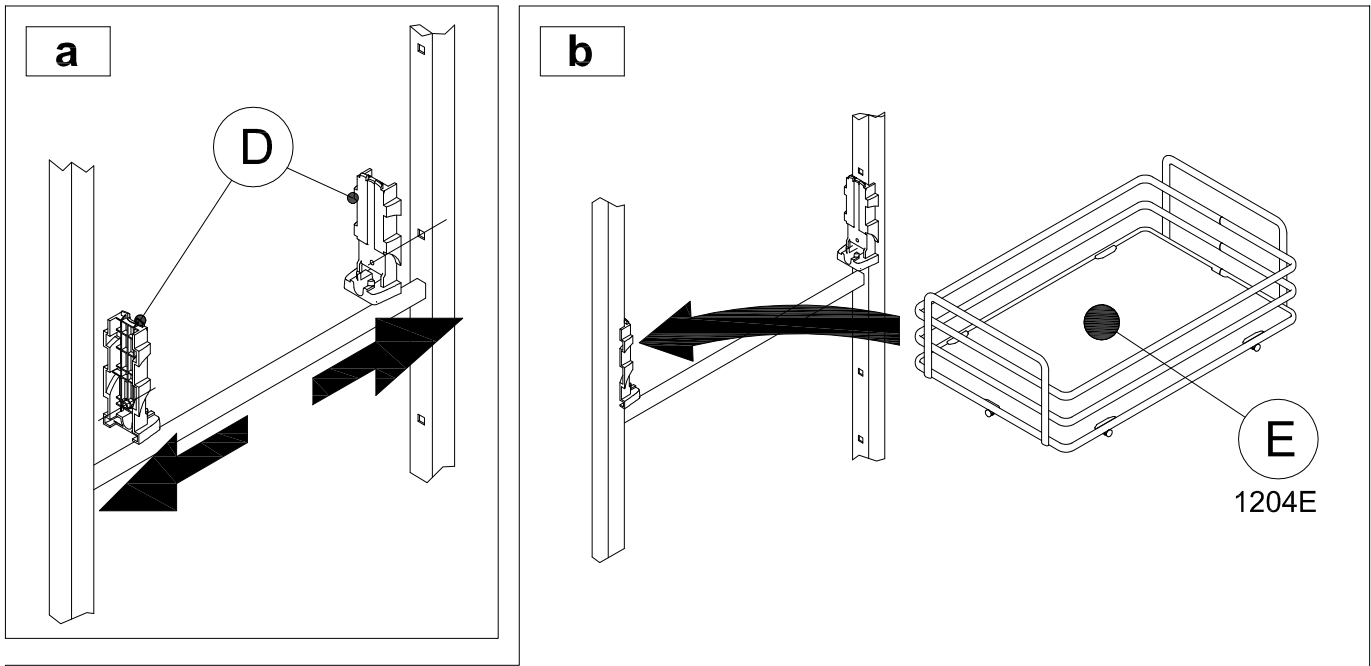
6



MONTAGGIO CESTI - *BASKET ASSEMBLY* Art. 1852 - 1852W

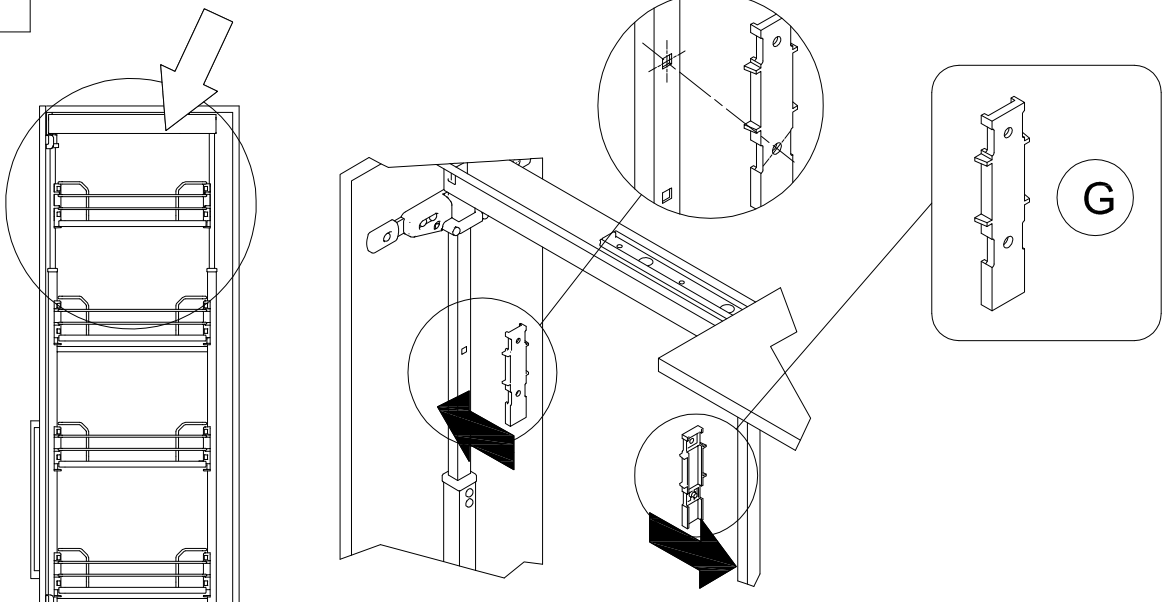


MONTAGGIO CESTI - *BASKET ASSEMBLY* Art. 1852E



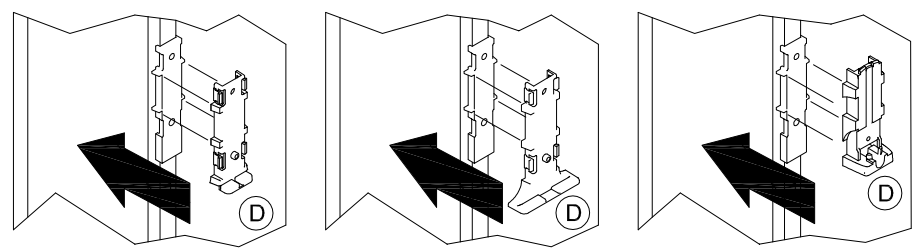
# MONTAGGIO CESTO AGGIUNTIVO - *Additional Basket Assembly*

**a**

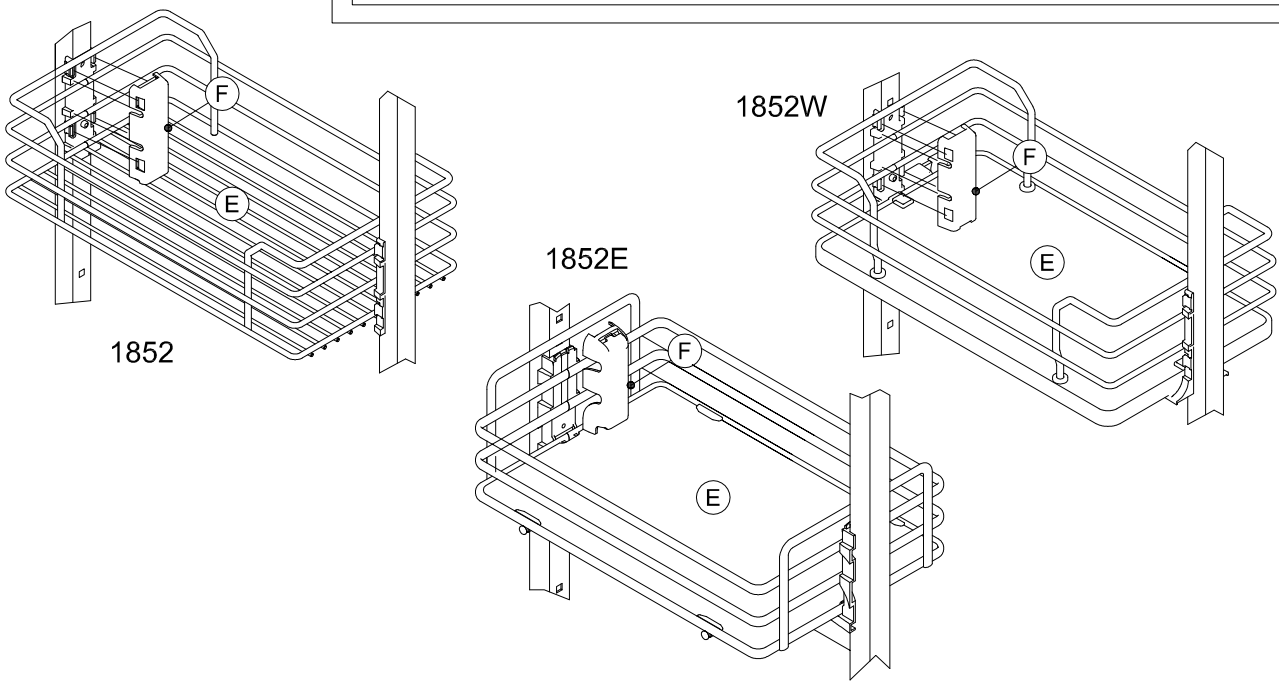


**b**

1852                      1852W                      1852E



**c**





# Wirework

## TALL LARDER UNIT - 300mm, Anthracite

Includes titanium baskets with a solid base

### Features:

- New improved gas piston (x2) assisted soft close action
- Includes 5 baskets (recommended max loading 15kg/each basket)
- Titanium wire baskets with a solid titanium base

Cabinet	Depth	Width	Height	Capacity
300mm	480	250	1860-2185	110kg

CODE	ART. NO.	DESCRIPTION
JEL014	859	300 TALL LARDER UNIT

**Note:** When fitting this product on handleless doors please ensure that the door bracket is fitted away from the handle groove to avoid the screw holes showing through.





# SCHEDA TECNICA DI PRODOTTO

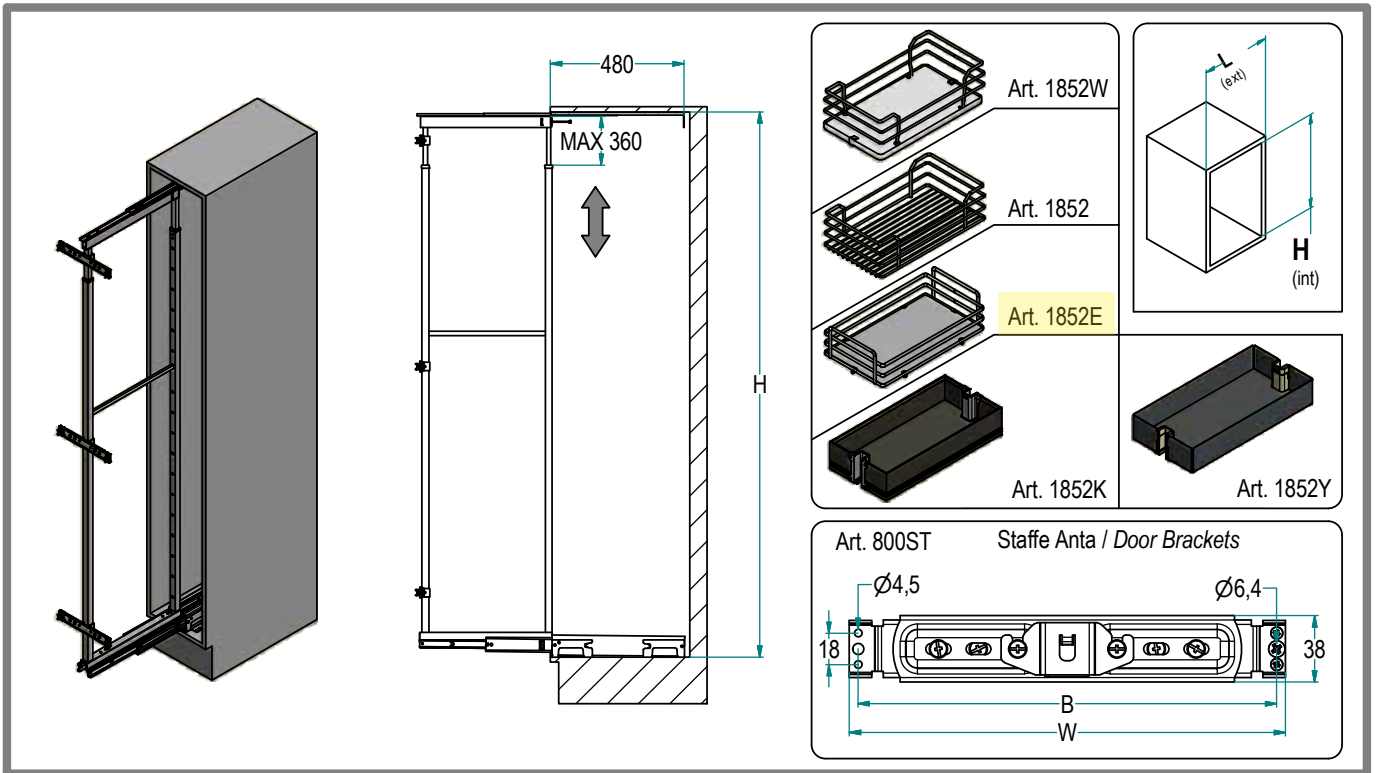
## Product Tech Datasheet

(in ottemperanza alla Legge 126/91 e al D.L. 101/97)

### Meccanismi - Mechanisms

Colonna telescopica ad estrazione totale - Total extraction telescopic column

Art. 859



859 A / 30 G

**Finitura / Finishing**  
**G:** Grigio RAL 7035 / Grey RAL 7035  
**AR:** Ardesia RAL 7043 / Ardesia RAL 7043  
**CH:** Champagne / Champagne

**Larghezza - Width**

L [cm]	W [mm]	B [mm]
15	100	90
20	150	140
30	250	240
40	350	340
45	400	390
50	450	440
60	550	540

**Altezza - Height**

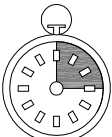
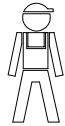
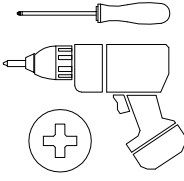
Cod.	H min [mm]	H Max [mm]	Cesti / Baskets *
H - Altissima/Higher	2180	2530	5
A - Alta/High	1860	2185	5
M - Media/Medium	1515	1865	4
B - Bassa/Low	1170	1520	3
S - Small	825	1175	2

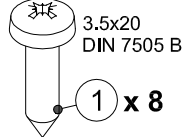
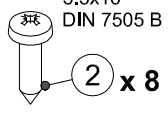
\* Cesti cod. 1852W - 1852K - 1852Y - 1852:  
 possibilità di montaggio cesto aggiuntivo su parte telescopica

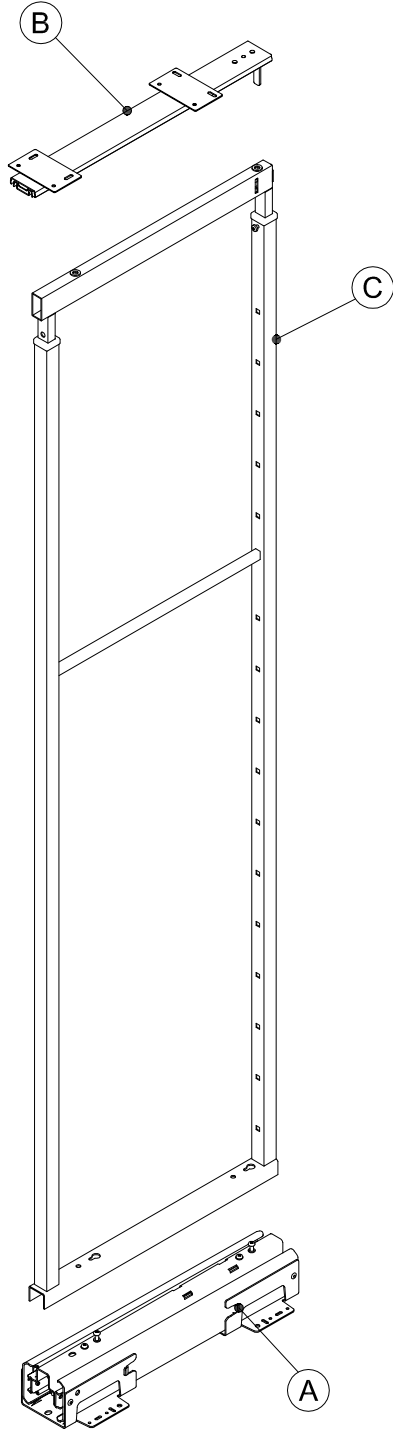
Baskets cod. 1852W - 1852K - 1852Y - 1852:  
 additional basket can be installed on telescopic part

<b>Caratteristiche Principali</b> <b>Main Features</b>	<ul style="list-style-type: none"> <li>o Guide a sfere Thomas Regout</li> <li>o Estrazione totale</li> <li>o Portata Guida: 110 kg</li> <li>o Soft Close di serie</li> <li>o Cestelli forniti separatamente</li> </ul>	<ul style="list-style-type: none"> <li>o Thomas Regout Ball Slides</li> <li>o Total Extractions</li> <li>o Slide Capacity: 110 kg</li> <li>o Soft-close as standard</li> <li>o Basket supplied separately</li> </ul>
<b>Manutenzione</b> <b>Maintenance</b>	Pulire con un panno morbido ed asciutto. Evitare l'uso di solventi e/o abrasivi. Clean with a soft, dry cloth. Avoid using solvents or abrasive.	
<b>Istruzioni d'uso</b> <b>Use manual</b>	Consultare le INDICAZIONI DI MONTAGGIO per l'installazione del prodotto. See ASSEMBLY INSTRUCTIONS of product installation.	

Ufficio Tecnico INOXA s.r.l. Via dell'Industria 28/30 - 60020 Polverigi (AN) - www.inoxa.it	Documento NR. 146/2018	Data Revisione 02/01/2021	Rev. 03
--	---------------------------	------------------------------	------------

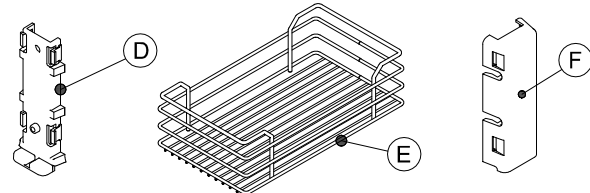
 10 min	 x 1	
---	--	---

 3.5x20 DIN 7505 B 1 x 8	 3.5x16 DIN 7505 B 2 x 8
---	--

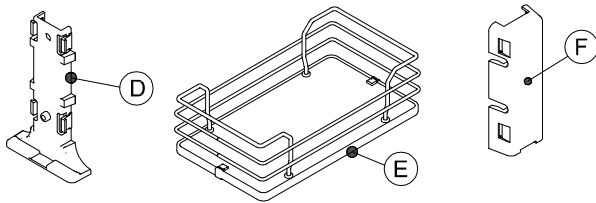


**CESTELLI - Baskets**

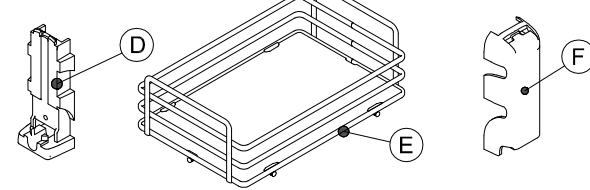
**Wire - Art.1852**



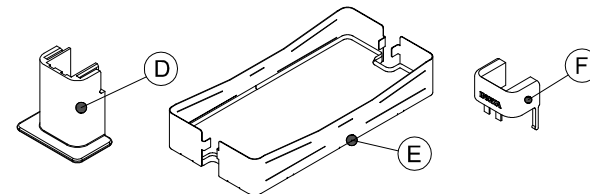
**Deluxe - Art.1852W**



**Elite - Art.1852E**



**Helios - Art.1852H**

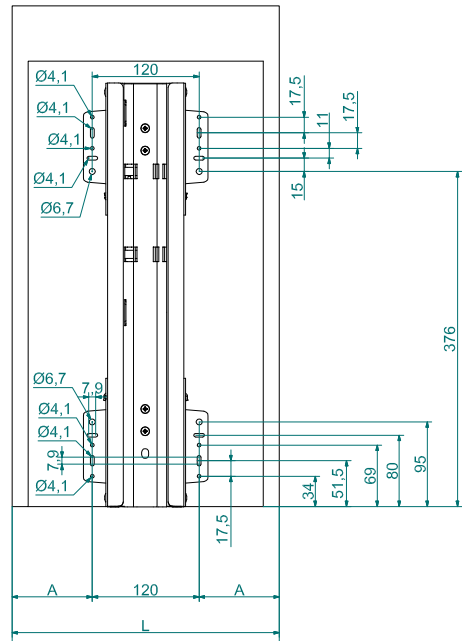
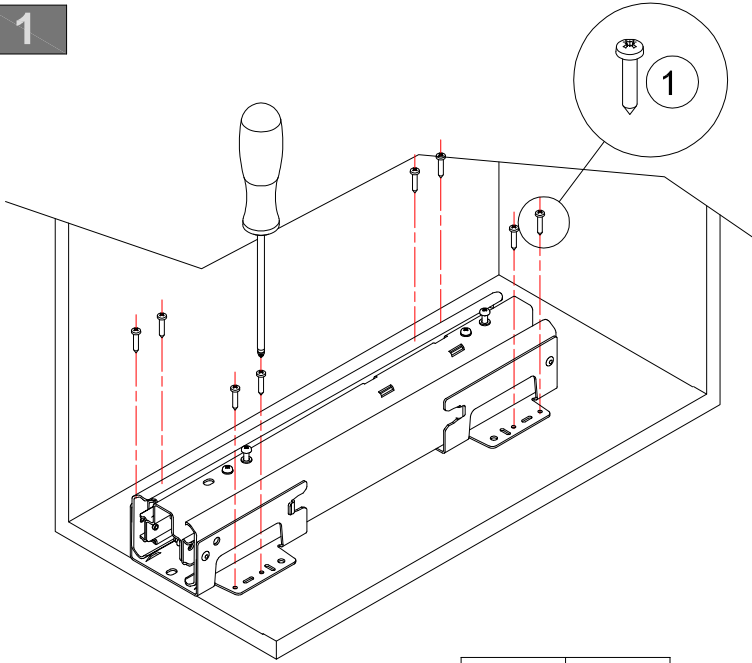


**E' consigliato l'utilizzo di un piedino centrale**  
*We recommend the use of a central foot*



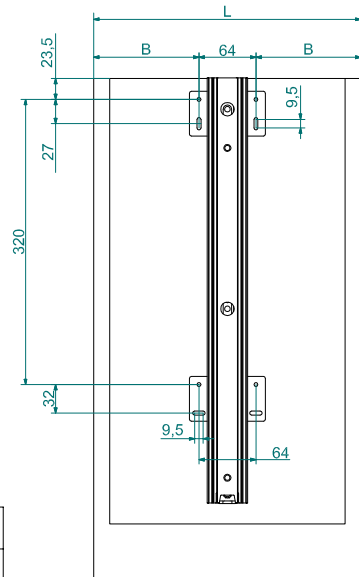
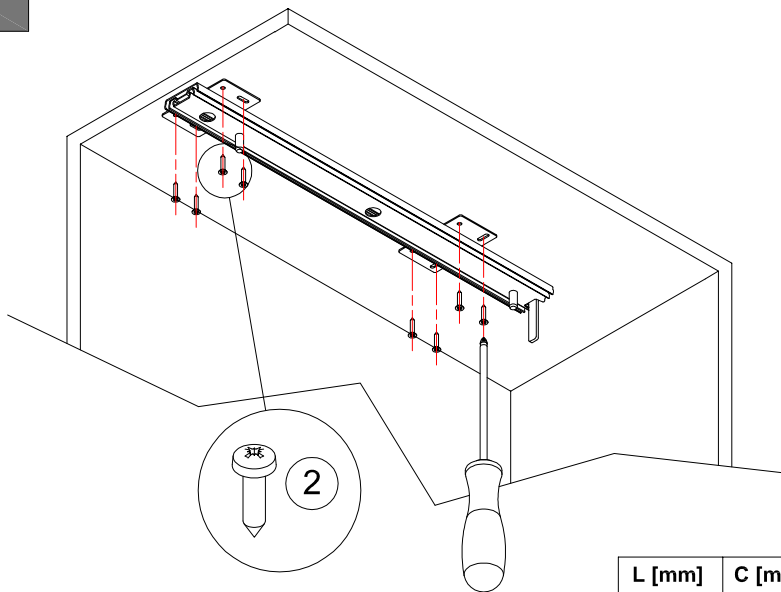


1



L [mm]	A [mm]
300	90
400	140
450	165
500	190
600	240

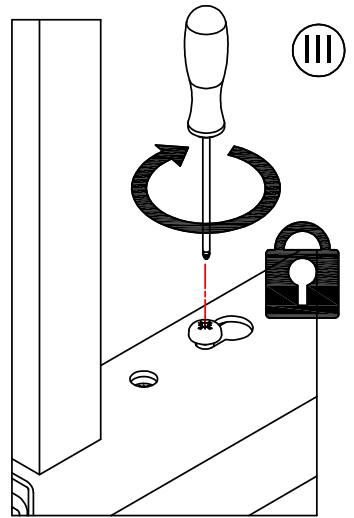
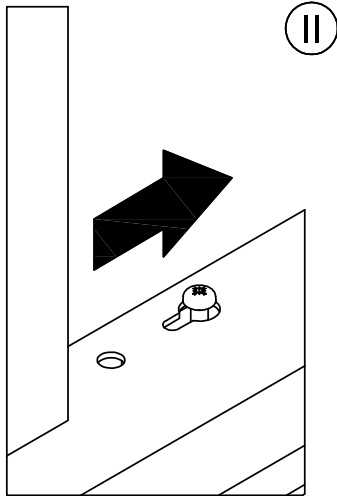
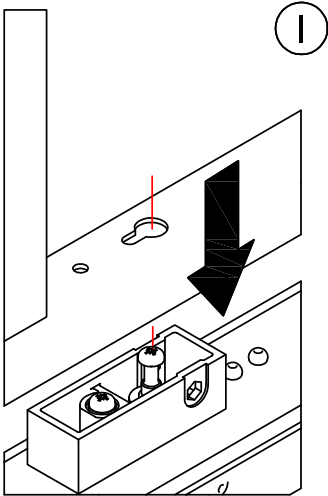
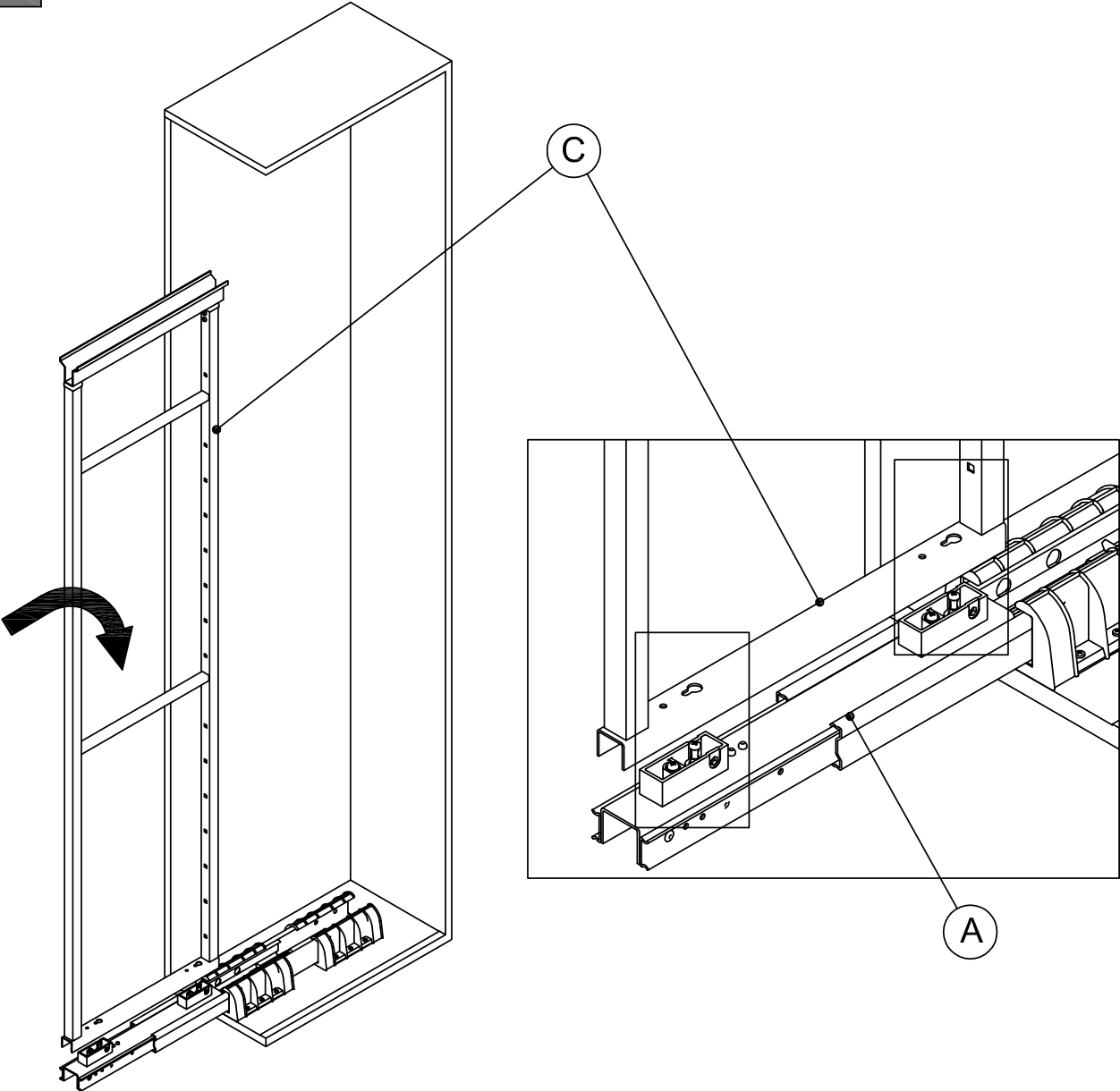
2



L [mm]	C [mm]
300	118
400	168
450	193
500	218
600	268

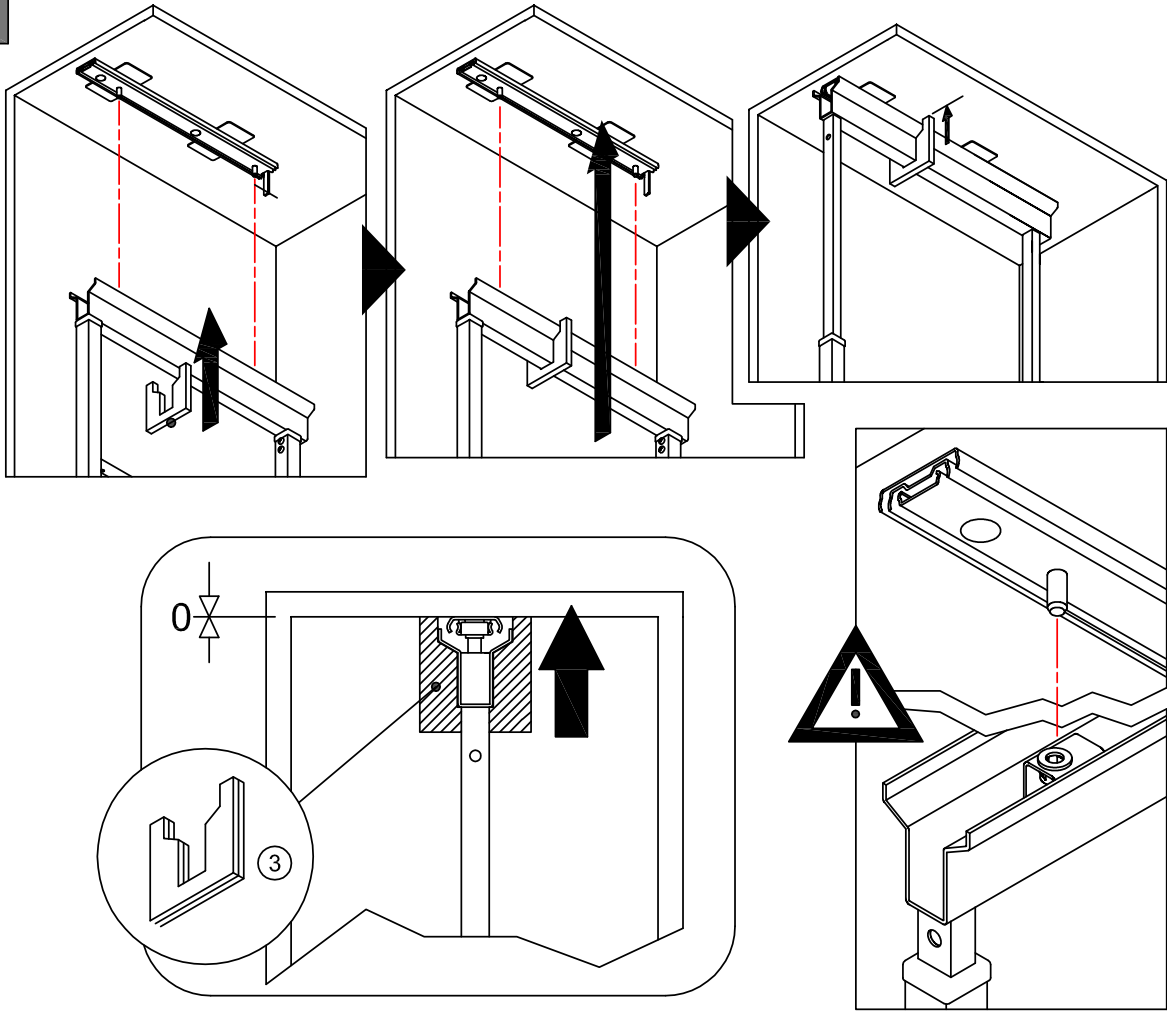


3

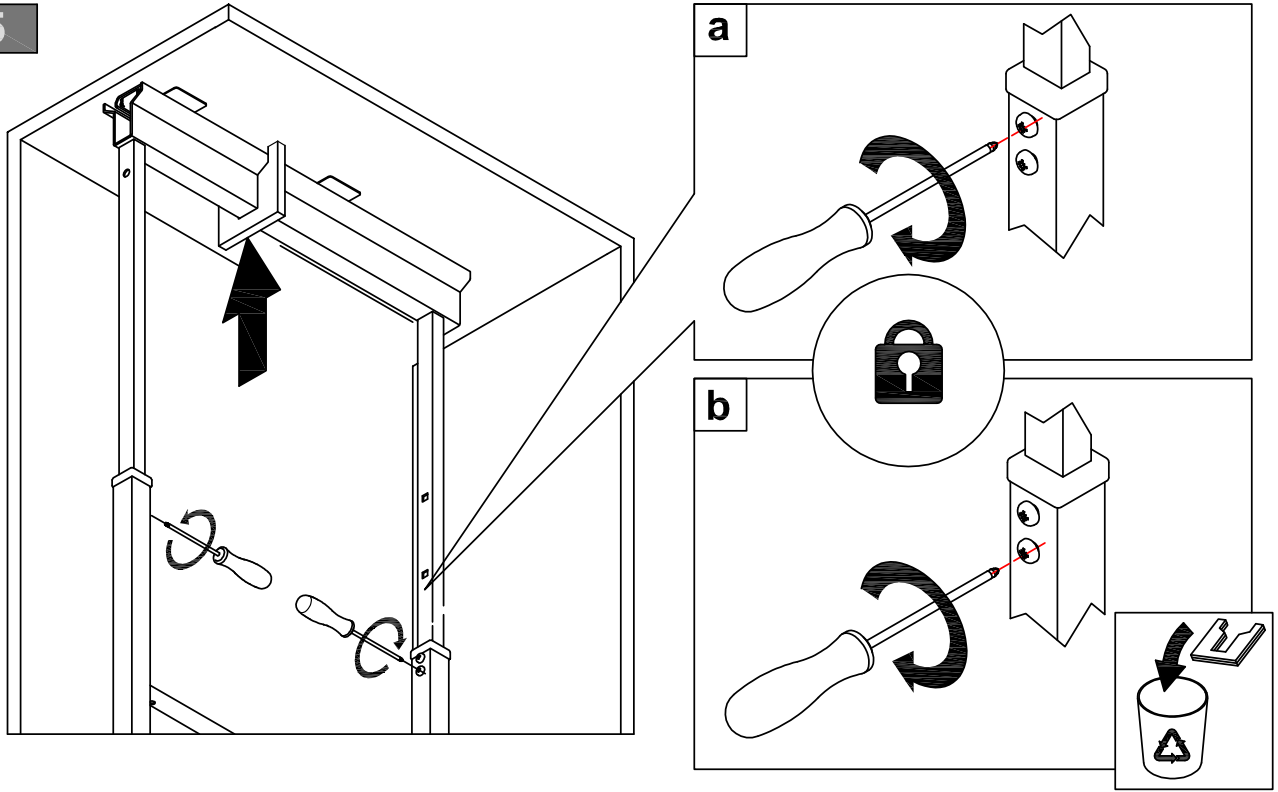


PLEASE PAY PARTICULAR ATTENTION TO THIS SECTION

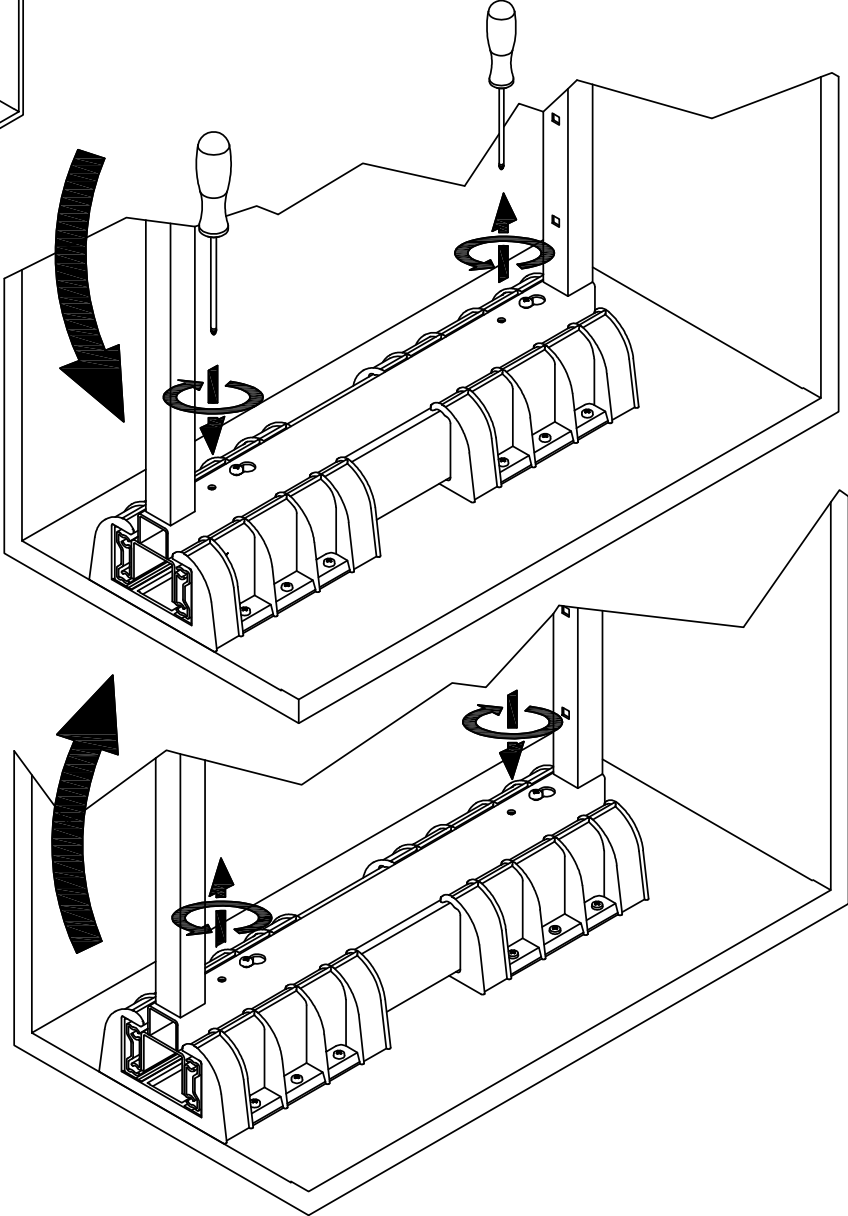
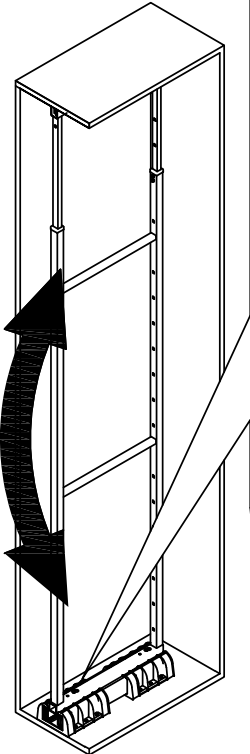
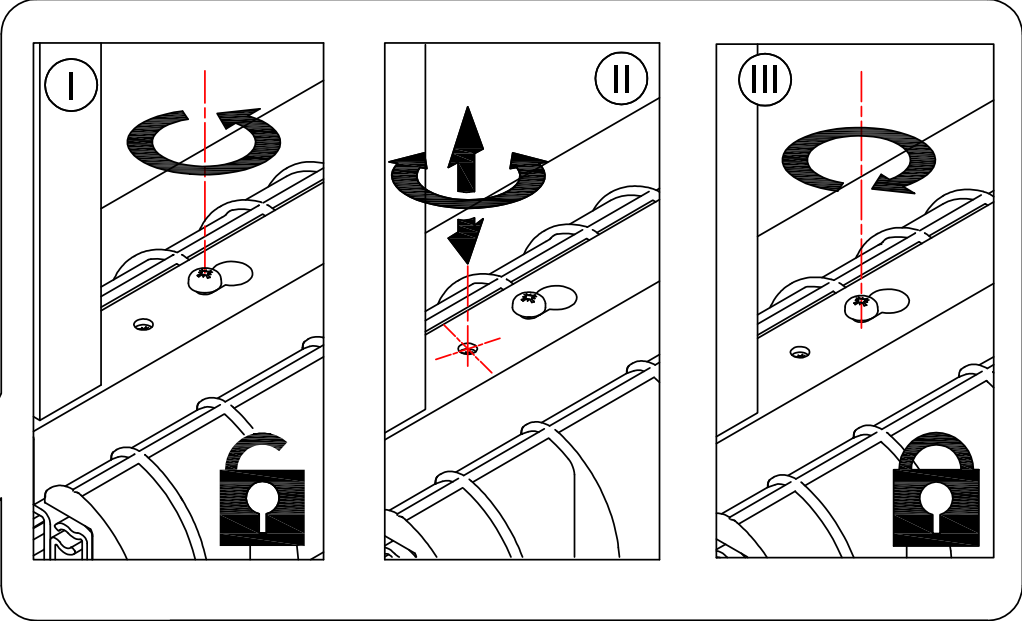
4



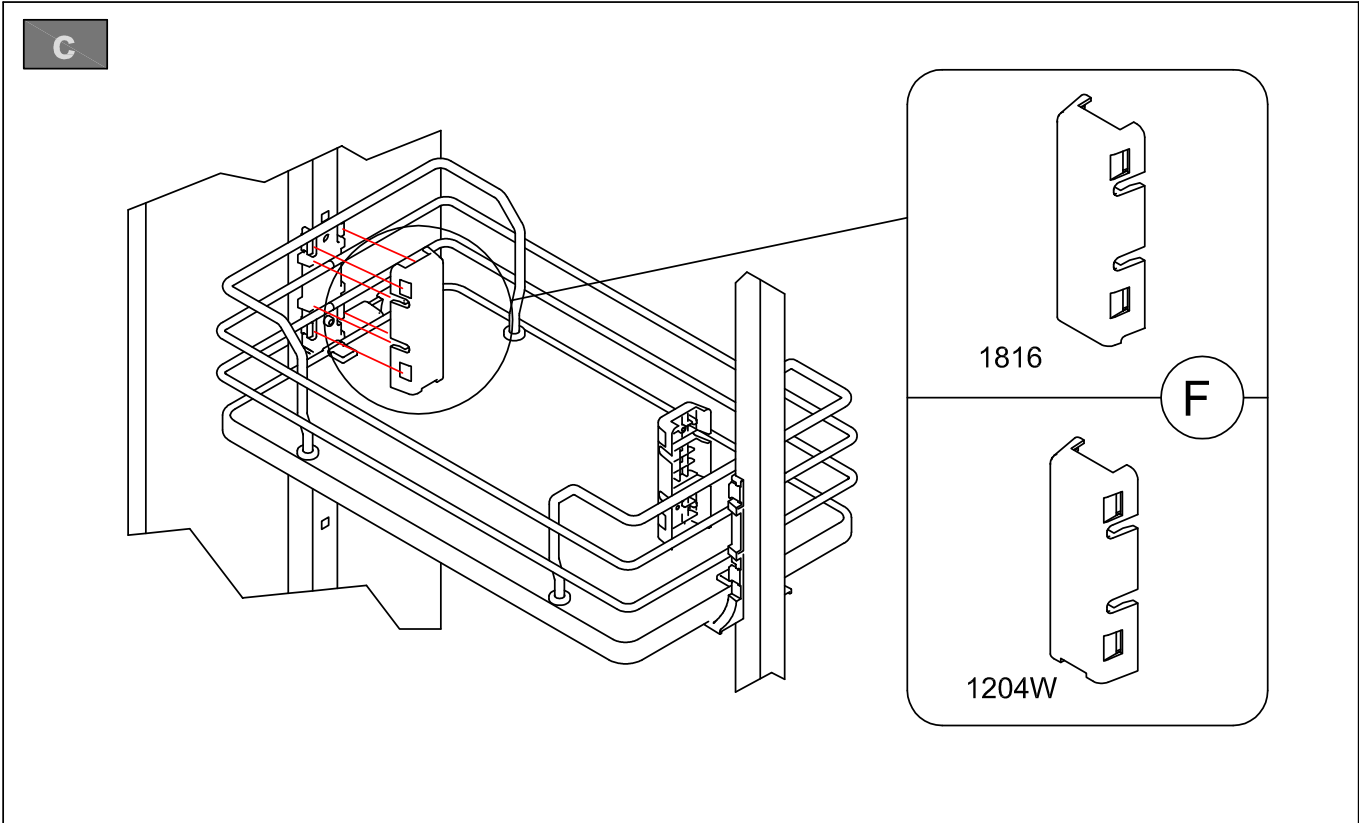
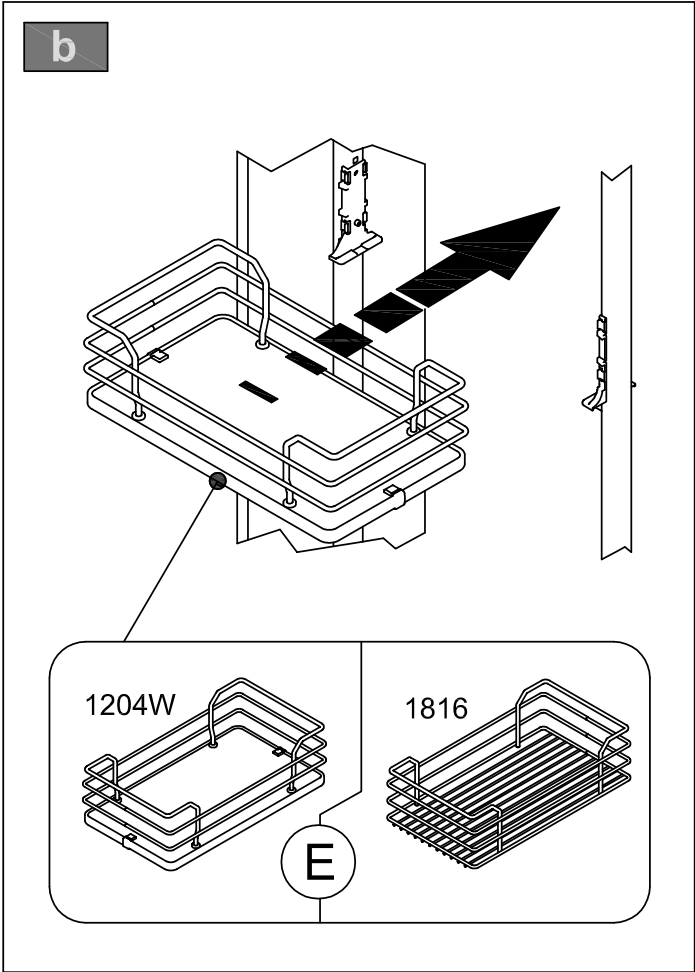
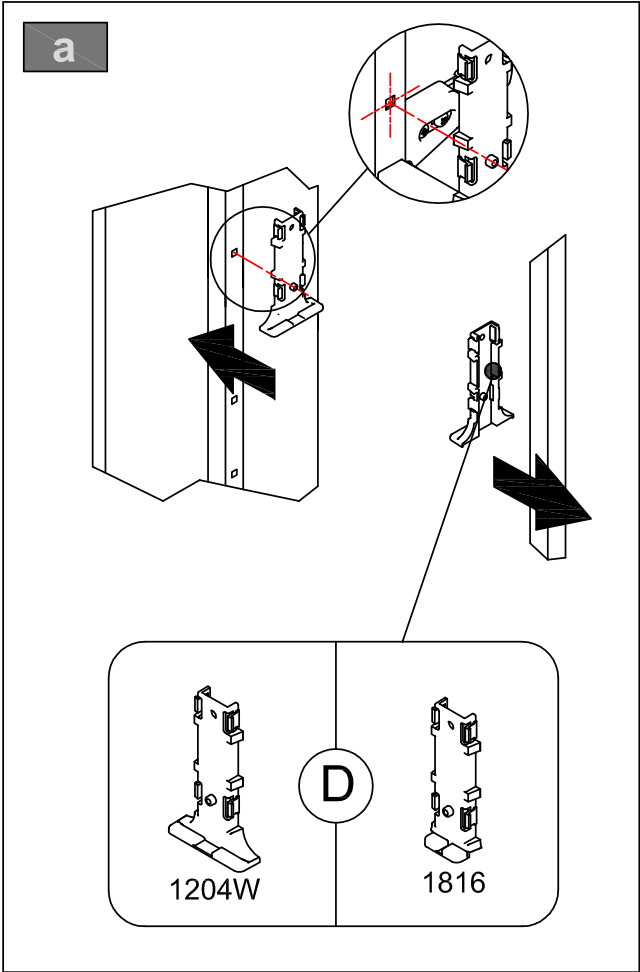
5



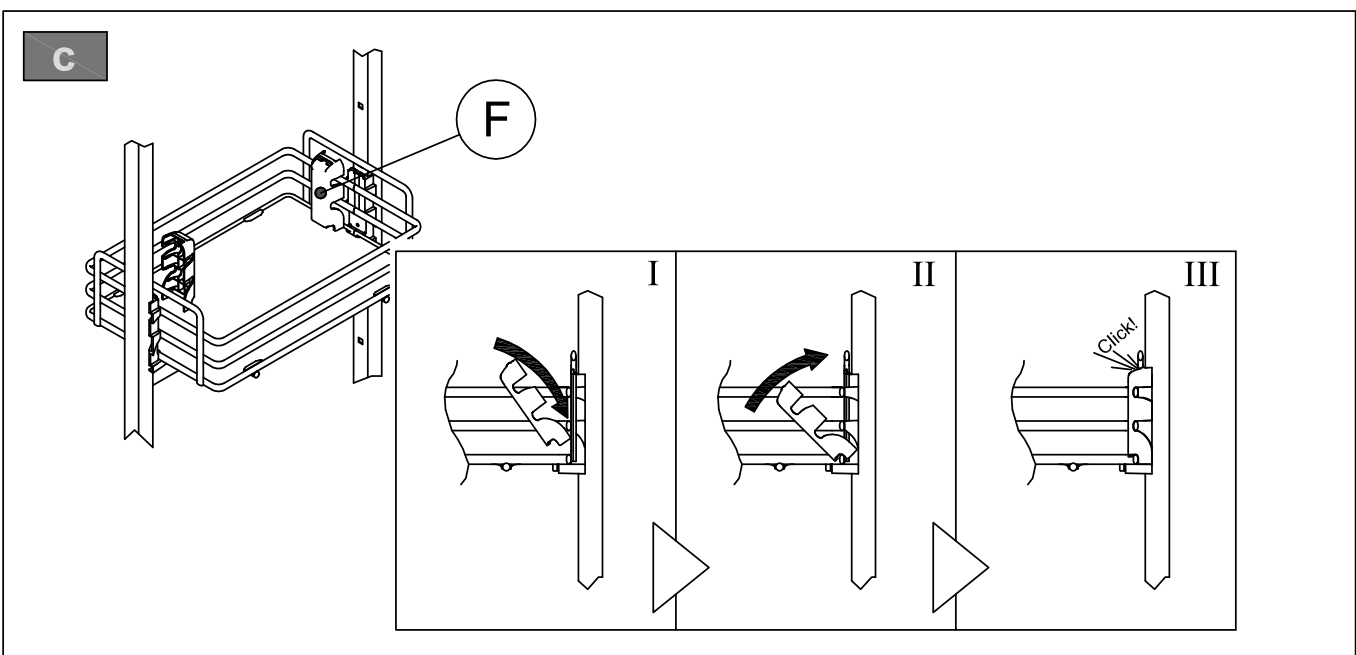
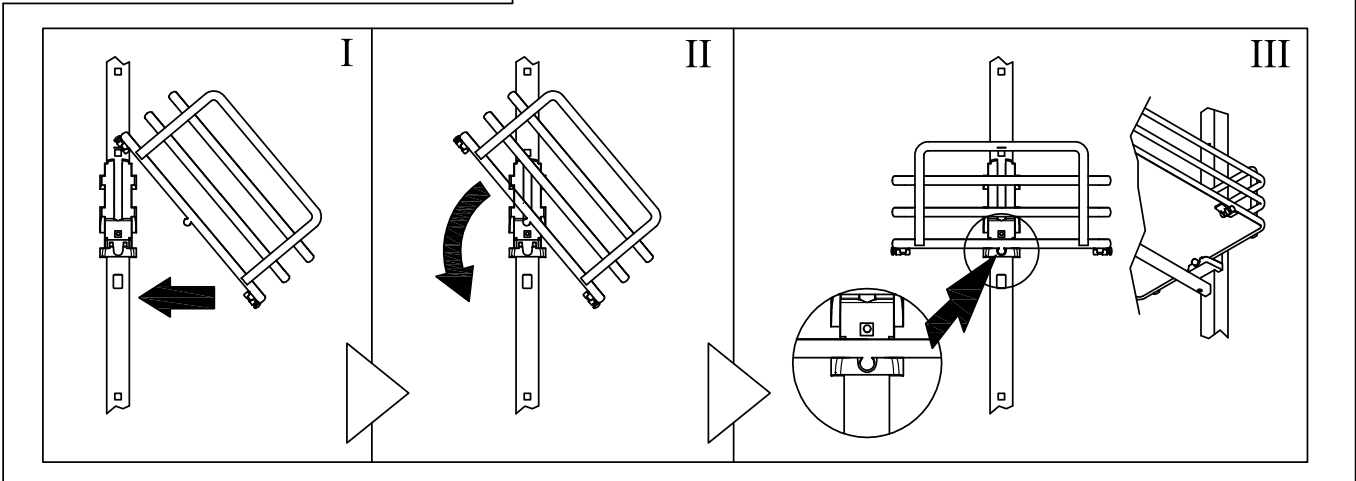
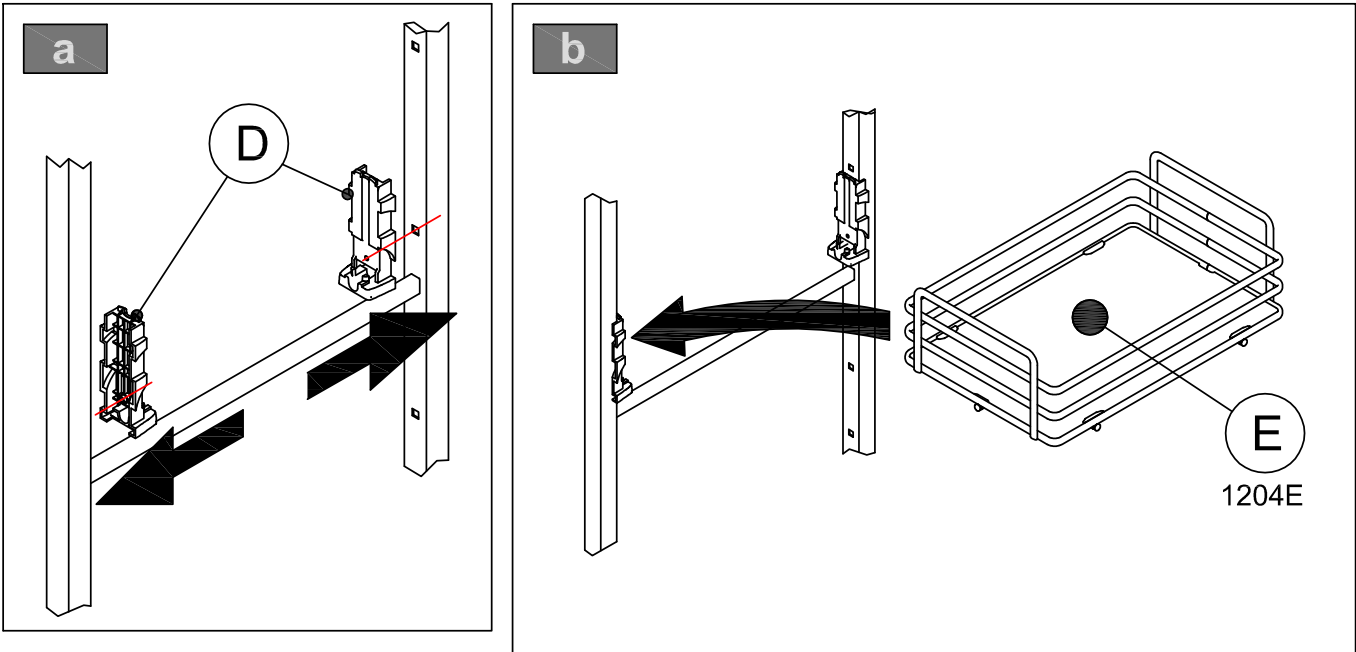
6



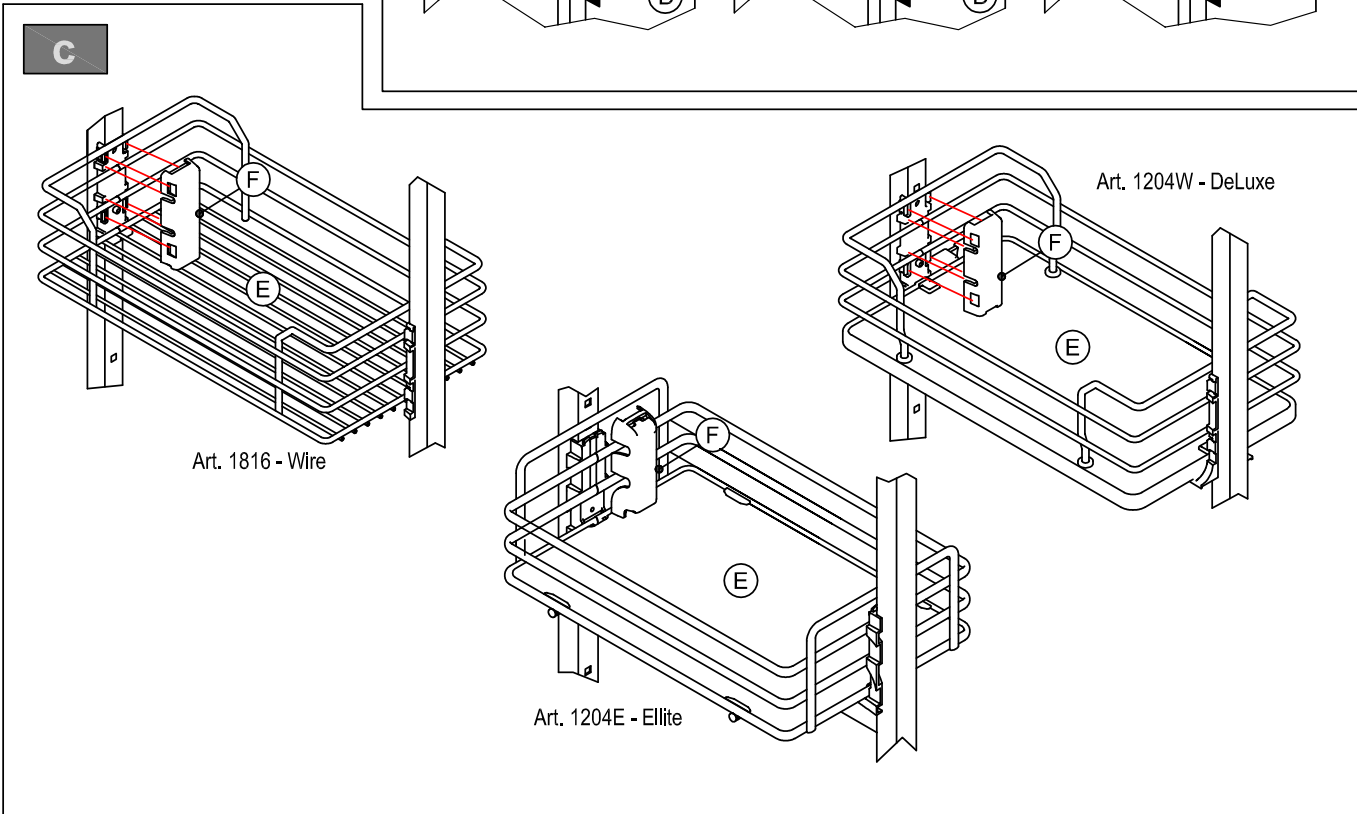
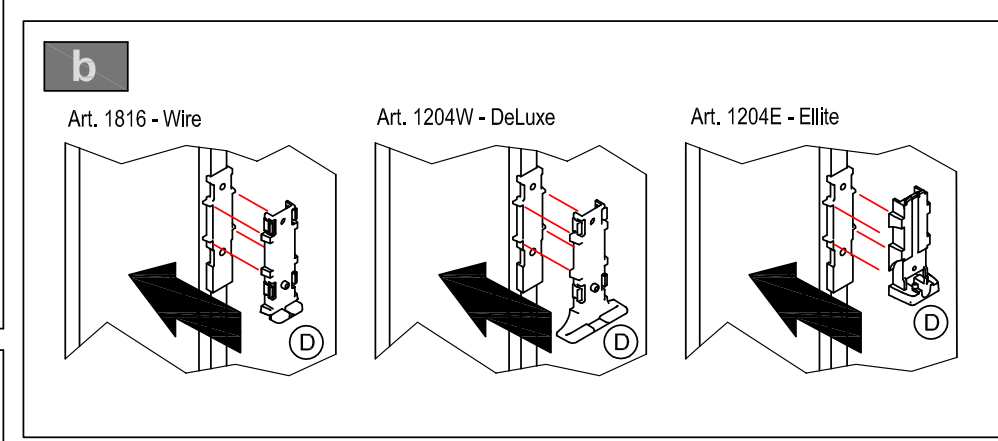
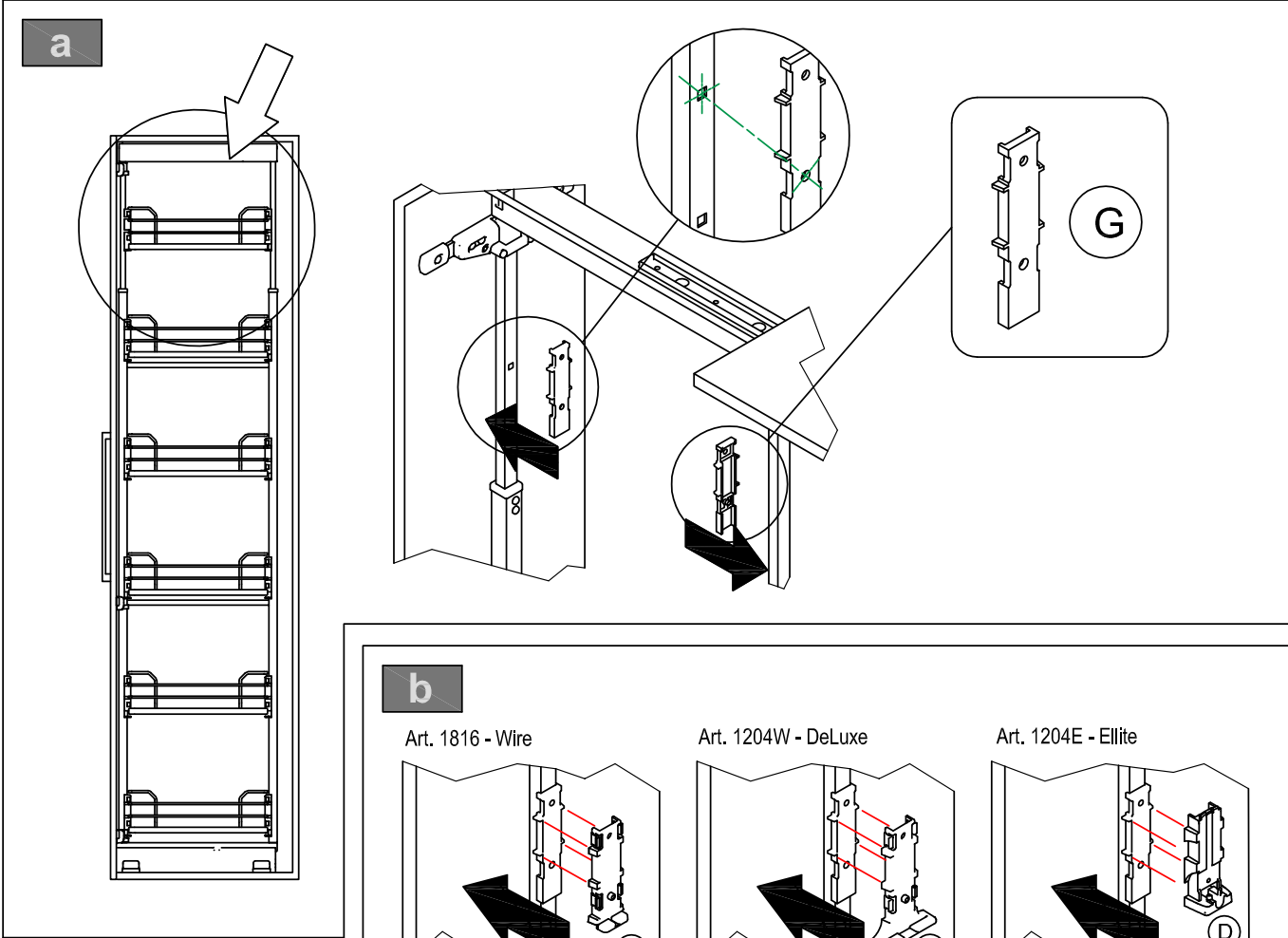
MONTAGGIO CESTI - *BASKET ASSEMBLY* Art. 1816 - 1204W



MONTAGGIO CESTI - BASKET ASSEMBLY Art. 1204E



# MONTAGGIO CESTO AGGIUNTIVO - *Additional Basket Assembly*





# SCHEDA TECNICA DI PRODOTTO

## Product Tech Datasheet

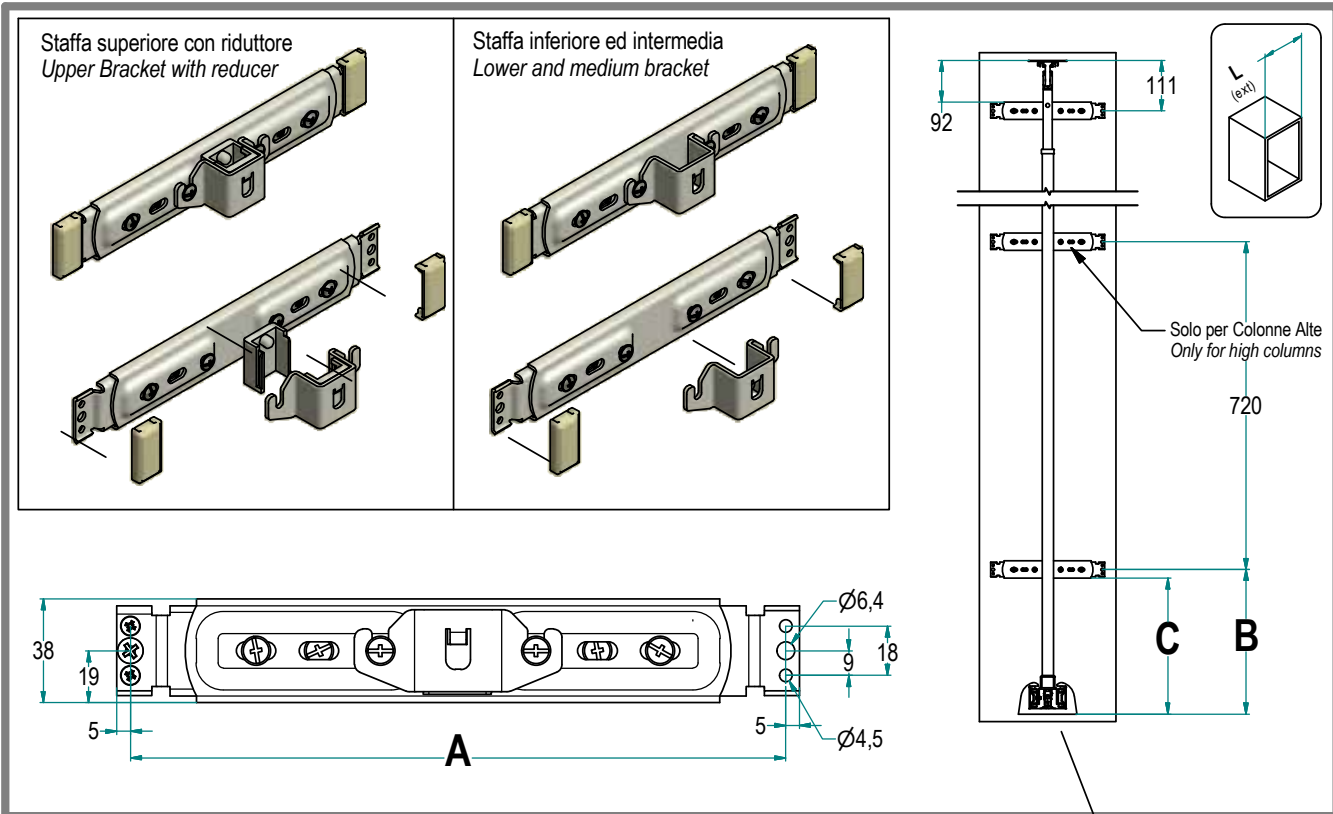
(in ottemperanza alla Legge 126/91 e al D.L. 101/97)

### Meccanismi - Mechanisms

Staffe per ante colonne 852 - 859

852 - 859 Columns: Door brackets

Art. **800ST**



<b>800ST 1 30 AR</b>	<b>Finitura - finishing</b> G - Grigio Chiaro / Light Grey RAL 7035 AR - Grigio "Ardesia" "Ardesia" dark grey RAL7043 CH - Champagne	<b>Larghezza - Width</b> <table border="1"> <thead> <tr> <th>L [cm]</th> <th>A [mm]</th> </tr> </thead> <tbody> <tr> <td>30</td> <td>240</td> </tr> <tr> <td>40</td> <td>340</td> </tr> <tr> <td>45</td> <td>390</td> </tr> <tr> <td>50</td> <td>440</td> </tr> <tr> <td>60</td> <td>540</td> </tr> </tbody> </table>	L [cm]	A [mm]	30	240	40	340	45	390	50	440	60	540	<b>Quote per colonna</b> <b>Column measures</b> <table border="1"> <thead> <tr> <th>Cod</th> <th>B [mm]</th> <th>C [mm]</th> </tr> </thead> <tbody> <tr> <td>852</td> <td>317.5</td> <td>298.5</td> </tr> <tr> <td>859</td> <td>325</td> <td>306</td> </tr> </tbody> </table>	Cod	B [mm]	C [mm]	852	317.5	298.5	859	325	306
	L [cm]		A [mm]																					
30	240																							
40	340																							
45	390																							
50	440																							
60	540																							
Cod	B [mm]	C [mm]																						
852	317.5	298.5																						
859	325	306																						
<b>Imballo - Packaging</b> 2 - Staffa superiore + Staffa inferiore Upper bracket + lower bracket 1 - Staffa intermedia per colonne alte Middle bracket for high columns																								

<b>Caratteristiche Principali</b>  <b>Main Features</b>	o Staffe in metallo verniciate a polveri o Coperture in Nylon (PA6) o Adatte per colonne 852 e 859  o Metal epoxy painted door brackets o Accessories in Nylon (PA6) o Suitable for 852 and 859 columns
<b>Manutenzione</b> <b>Maintenance</b>	Pulire con un panno morbido ed asciutto. Evitare l'uso di solventi e/o abrasivi. Clean with a soft, dry cloth. Avoid using solvents or abrasive.
<b>Istruzioni d'uso</b> <b>Use manual</b>	Consultare le INDICAZIONI DI MONTAGGIO per l'installazione del prodotto. See ASSEMBLY INSTRUCTIONS of product installation.

Ufficio Tecnico INOXA s.r.l. Via dell'Industria 28/30 - 60020 Polverigi (AN) - www.inoxa.it	Documento NR. 165/2020	Data Emissione 06/03/2020	Rev. 01
--	---------------------------	------------------------------	------------





# Wirework

## SINGLE PULL OUT BASKET - Chrome

**Features:**

- Cabinet width: 300 / 400 / 500 / 600 / 800 / 1000mm
- Minimum internal cabinet depth: 475mm
- Single basket with soft closing runners
- Chrome wire basket
- 20kg loading capacity

Cabinet	Depth	Width	Capacity
300mm	470	264	20kg
400mm	470	364	20kg
500mm	470	464	20kg
600mm	470	564	20kg
800mm	470	764	20kg
1000mm	470	964	20kg

PRODUCT CODE	ART. NO.	DESCRIPTION
JDY040	2202D	300 SOFT CLOSING PULL OUT BASKET - CHROME
JDY041	2202D	400 SOFT CLOSING PULL OUT BASKET - CHROME
JDY042	2202D	500 SOFT CLOSING PULL OUT BASKET - CHROME
JDY043	2202D	600 SOFT CLOSING PULL OUT BASKET - CHROME
JDY044	2202D	800 SOFT CLOSING PULL OUT BASKET - CHROME
JDY045	2202D	1000 SOFT CLOSING PULL OUT BASKET - CHROME





# SCHEDA TECNICA DI PRODOTTO

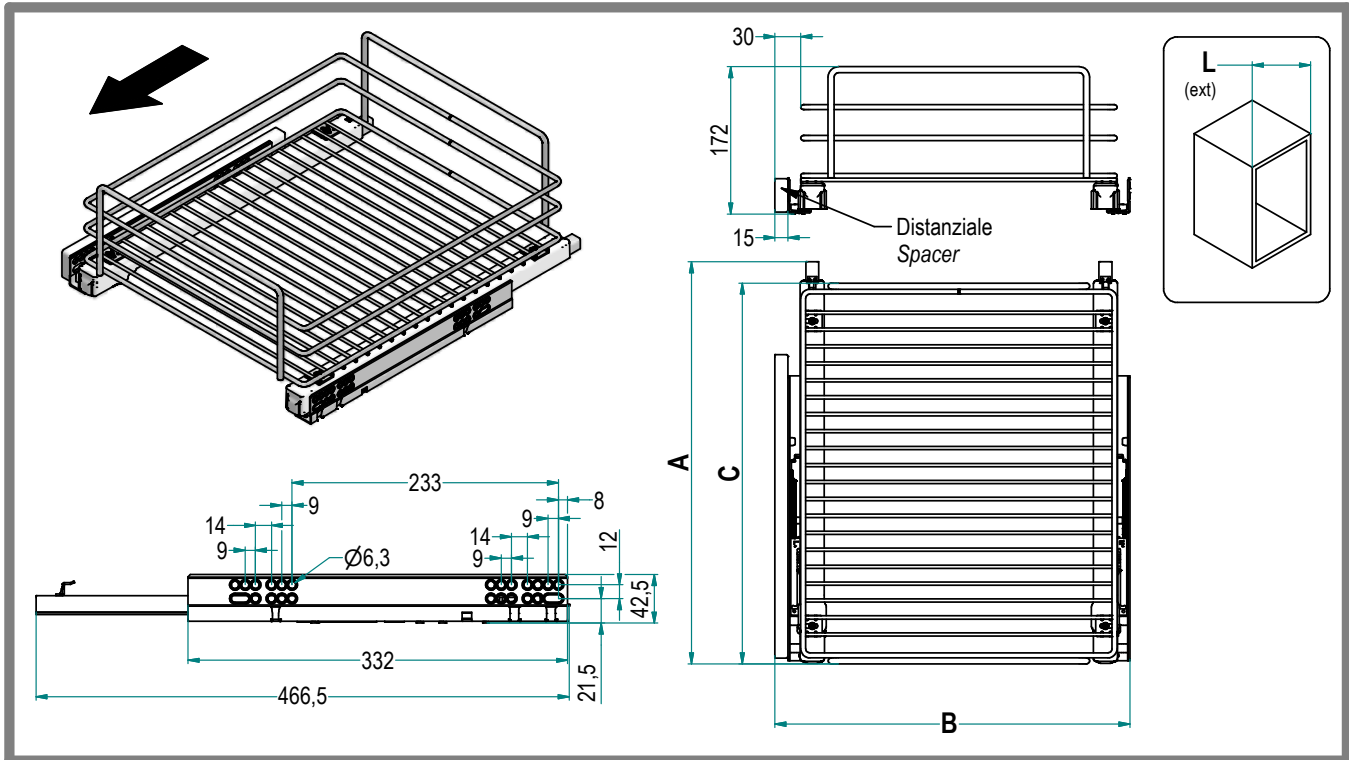
## Product Tech Datasheet

(in ottemperanza alla Legge 126/91 e al D.L. 101/97)

### Serie Quadro - Quadro Range

Cestello Portapentole ad estrazione manuale con distanziale/i  
Manual Extractable basket with spacer(s)

Art. 2202D



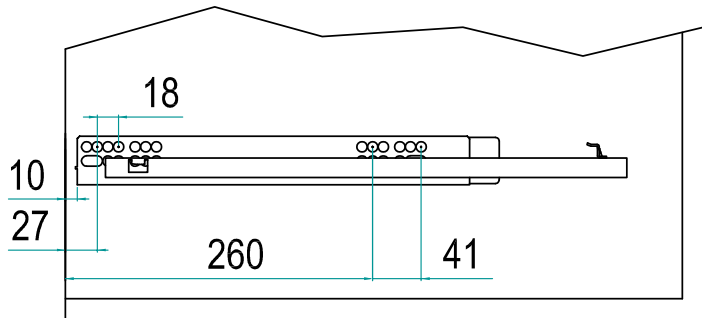
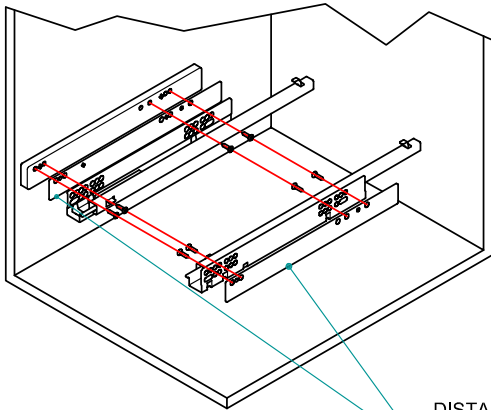
<p><b>2202 D Y / 40 - 50 P C</b></p> <p>Optional Y: Soft-Close</p>	<p><b>Finitura / Finish</b></p> <table border="1"> <tr> <td>C</td> <td>Cromato / Chromed</td> </tr> </table>	C	Cromato / Chromed	<p><b>Larghezza / Width</b></p> <table border="1"> <thead> <tr> <th>L (cm)</th> <th>B (cm)</th> </tr> </thead> <tbody> <tr> <td>30</td> <td>264</td> </tr> <tr> <td>40</td> <td>364</td> </tr> <tr> <td>45</td> <td>394</td> </tr> <tr> <td>50</td> <td>464</td> </tr> <tr> <td>60</td> <td>564</td> </tr> </tbody> </table>	L (cm)	B (cm)	30	264	40	364	45	394	50	464	60	564
	C	Cromato / Chromed														
L (cm)	B (cm)															
30	264															
40	364															
45	394															
50	464															
60	564															
<p><b>Profondità / Depth</b></p> <table border="1"> <thead> <tr> <th></th> <th>A [mm]</th> <th>C [mm]</th> </tr> </thead> <tbody> <tr> <td>50</td> <td>470</td> <td>444</td> </tr> </tbody> </table>		A [mm]	C [mm]	50	470	444										
	A [mm]	C [mm]														
50	470	444														

<p><b>Caratteristiche Principali</b></p> <p><b>Main Features</b></p>	<ul style="list-style-type: none"> <li>o Estrazione Guida Parziale Maggiorata</li> <li>o Portata statica Guida: 245 N (25kg)</li> <li>o Portata dinamica Guida: 196 N (20 kg)</li> <li>o Cromatura Galvanica con assenza totale di residui tossici</li> <li>o Materiale Tondino metallico: Ferro Fe360, vari diametri</li> </ul>	<ul style="list-style-type: none"> <li>o Partially Increased extractable guides</li> <li>o Static load limit: 245 N (25kg)</li> <li>o Dynamic load limit: 196 N (20 kg)</li> <li>o Galvanic Chromium Plating without toxic residues</li> <li>o Metal bar material: Iron Fe360, different diameters</li> </ul>
<p><b>Manutenzione</b></p> <p><b>Maintenance</b></p>	<p>Pulire con un panno morbido ed asciutto. Evitare l'uso di solventi e/o abrasivi.</p> <p>Clean with a soft, dry cloth. Avoid using solvents or abrasive.</p>	
<p><b>Istruzioni d'uso</b></p> <p><b>Use manual</b></p>	<p>Il prodotto è adatto ad usi alimentari. Consultare le INDICAZIONI DI MONTAGGIO per l'installazione del prodotto.</p> <p>Product is suitable for alimentary purposes. See ASSEMBLY INSTRUCTIONS of product installation</p>	

<p>Ufficio Tecnico INOXA s.r.l. Via dell'Industria 28/30 - 60020 Polverigi (AN) - www.inoxa.it</p>	<p>Documento NR. 101/2014</p>	<p>Data Emissione 21/05/2014</p>	<p>Rev. 01</p>
--	-----------------------------------	--------------------------------------	--------------------

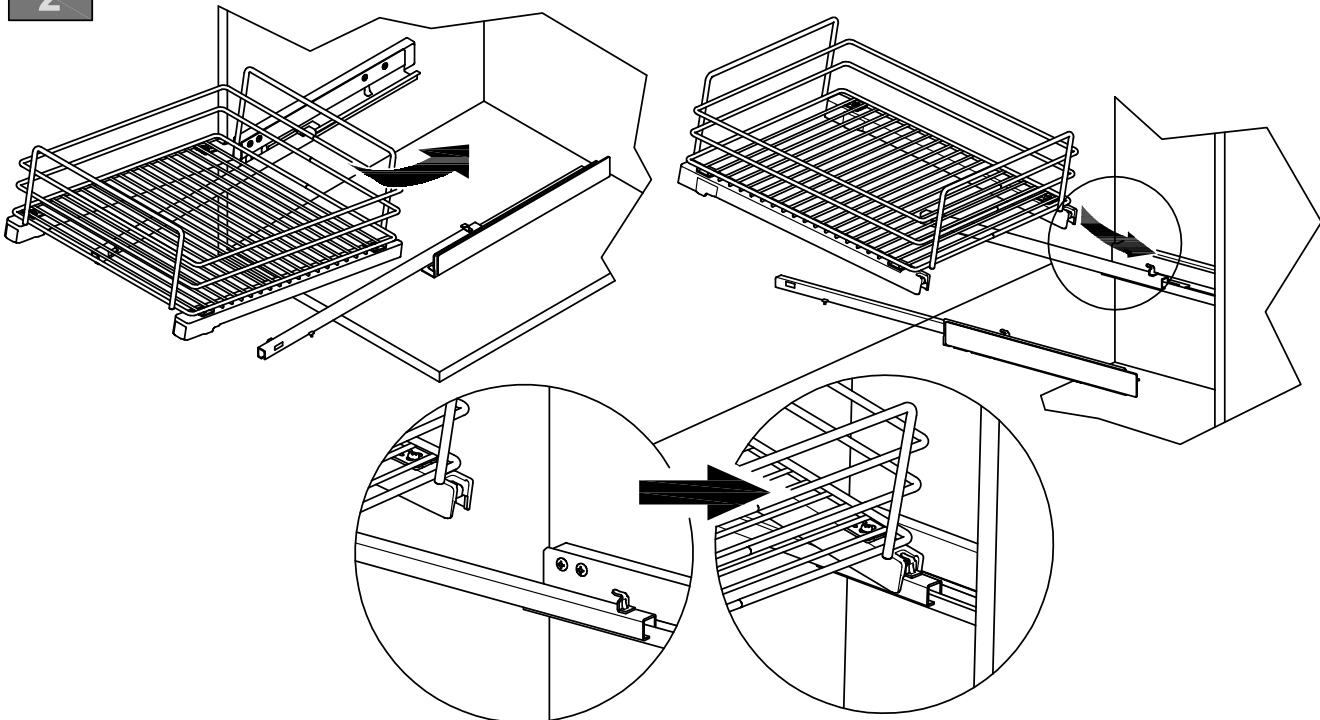


**1**

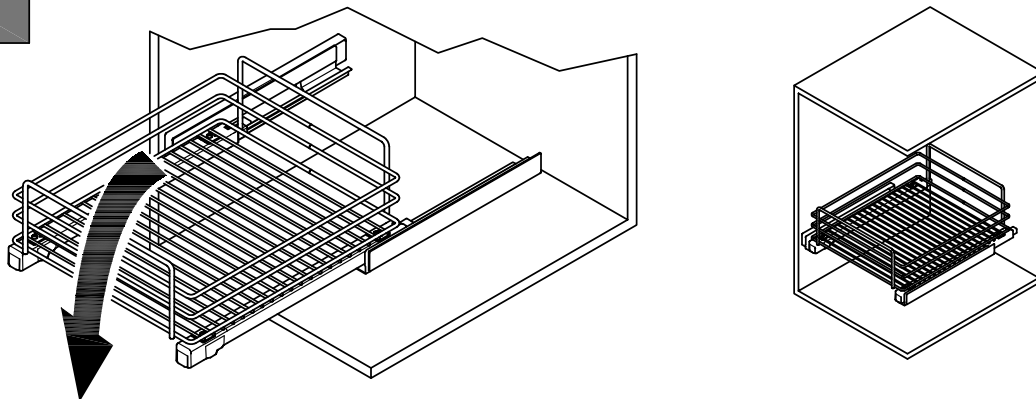


DISTANZIALI DA UTILIZZARE SOLO PER FIANCO 16 mm  
*Spacers: use only for side panels having 16mm thickness*

**2**



**3**



# Wirework

## UNDER SINK PULL OUT - 1000mm, Chrome

### Features:

- Cabinet width: 1000mm
- Minimum internal cabinet depth: 450mm
- Soft close mechanism
- U shaped chrome wire basket
- Includes grey plastic moulded one-piece tray
- 25kg loading capacity

PRODUCT CODE	ART. NO.	DESCRIPTION
JDY013	1207	1000 U SHAPED PULL OUT - CHROME





# SCHEDA TECNICA DI PRODOTTO

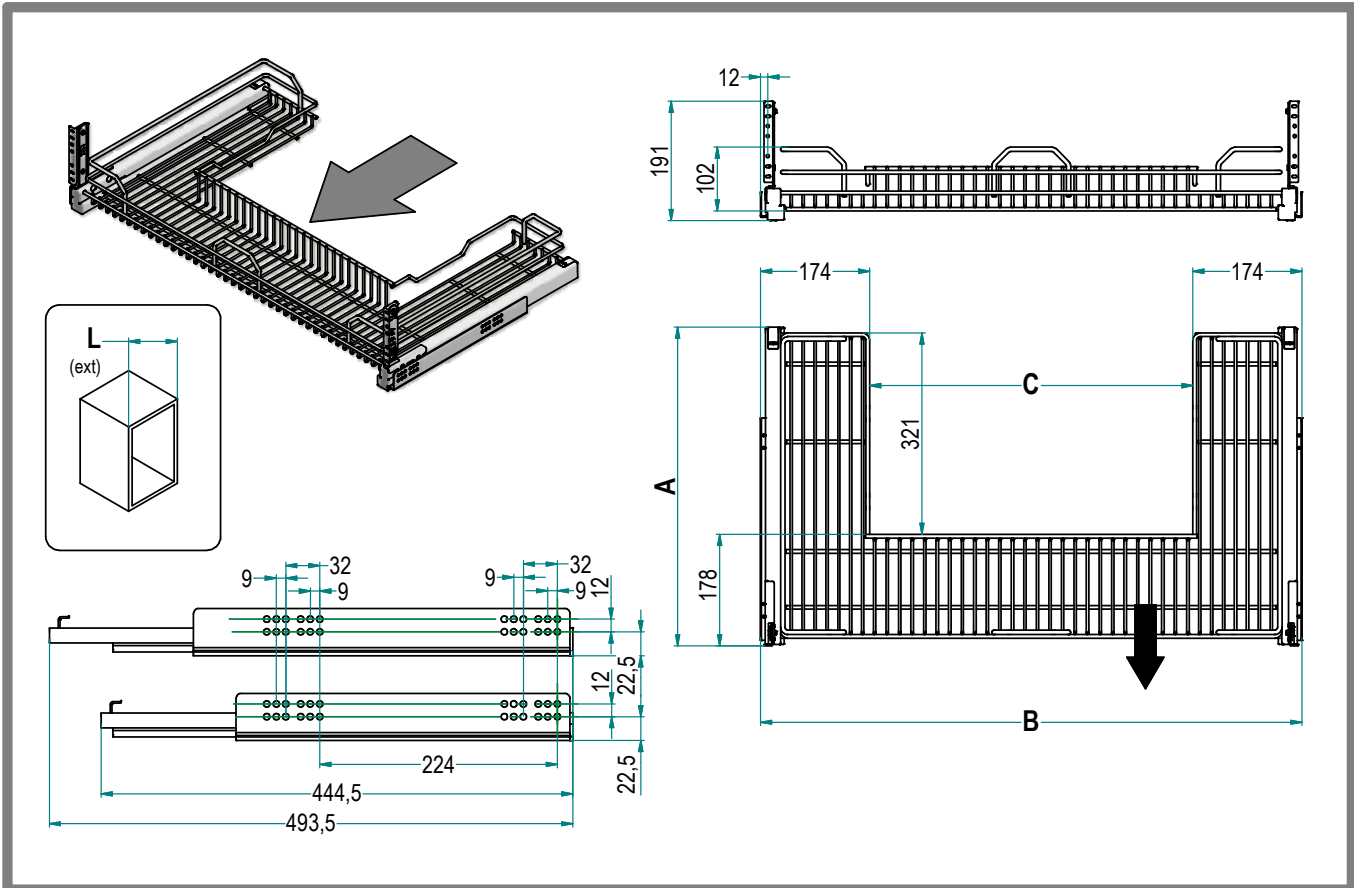
## Product Tech Datasheet

(in ottemperanza alla Legge 126/91 e al D.L. 101/97)

### Serie Gold - Gold Range

Cestello Cassetto sottolavello  
Undersink drawer basket

Art. 1207



<b>1207 Y / 90 - 50 C</b> Optional Y: Soft-Closing	<b>Profondità / Depth</b> <table border="1"> <thead> <tr> <th></th> <th>A [mm]</th> </tr> </thead> <tbody> <tr> <td>45</td> <td>458</td> </tr> <tr> <td>50</td> <td>508</td> </tr> </tbody> </table>		A [mm]	45	458	50	508	<b>Larghezza / Width</b> <table border="1"> <thead> <tr> <th>L (cm)</th> <th>B [mm]</th> <th>C [mm]</th> </tr> </thead> <tbody> <tr> <td>60</td> <td>564</td> <td>264</td> </tr> <tr> <td>80</td> <td>764</td> <td>516</td> </tr> <tr> <td>90</td> <td>864</td> <td>516</td> </tr> <tr> <td>100</td> <td>964</td> <td>616</td> </tr> <tr> <td>120</td> <td>1164</td> <td>816</td> </tr> </tbody> </table>	L (cm)	B [mm]	C [mm]	60	564	264	80	764	516	90	864	516	100	964	616	120	1164	816
			A [mm]																							
45	458																									
50	508																									
L (cm)	B [mm]	C [mm]																								
60	564	264																								
80	764	516																								
90	864	516																								
100	964	616																								
120	1164	816																								
<b>Finitura / Finish</b> C Cesto Cromato / Chromed Basket																										

<b>Caratteristiche Principali</b> Main Features	o Estrazione Guida Totale o Portata cesto: 25kg o Cromatura Galvanica con assenza totale di residui tossici o Copriguida in ABS Stampati ad iniezione o Materiale Tondino metallico: Ferro Fe360 vari diametri	o Total extractable guides o Basket load capacity: 25 kg o Galvanic Chromium Plating without toxic residues o Injection molded ABS guide covers o Metal bar material: Iron Fe360 different diameters
<b>Manutenzione</b> Maintenance	Pulire con un nanno morbido ed asciutto. Evitare l'uso di solventi e/o abrasivi. Clean with a soft, dry cloth. Avoid using solvents or abrasive.	
<b>Istruzioni d'uso</b> Use manual	Il prodotto è adatto ad usi alimentari. Consultare le INDICAZIONI DI MONTAGGIO per l'installazione del prodotto. Product is suitable for alimentary purposes. See ASSEMBLY INSTRUCTIONS of product installation.	

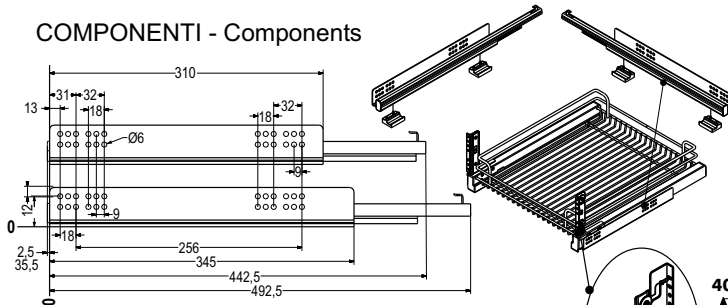
Ufficio Tecnico INOXA s.r.l. Via dell'Industria 28/30 - 60020 Polverigi (AN) - www.inoxa.it	Documento NR. 043/2012	Data Revisione 23/06/2014	Rev. 02
--	---------------------------	------------------------------	------------



INDICAZIONE MONTAGGIO SERIE "GOLD" ART.1201/1202/1207/1208/1703  
 Assembly instructions "GOLD" range

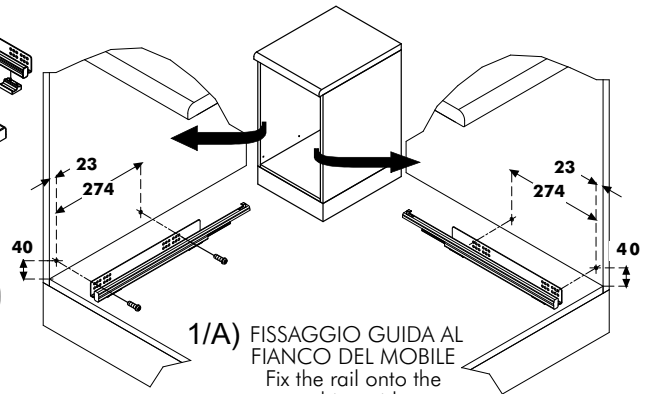
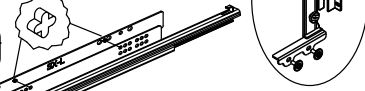


COMPONENTI - Components

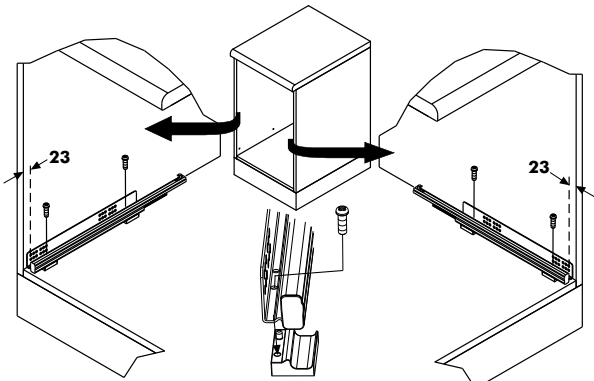


GUIDE SLIDES "HETTICH"

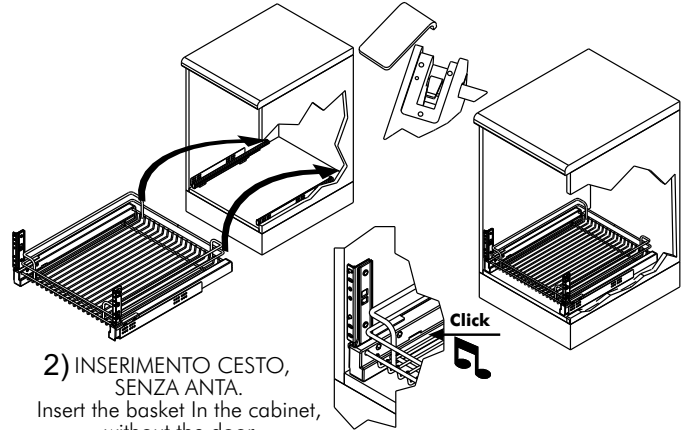
Da utilizzare sui mobili con fianco 16mm  
 Designed for 16 mm side panel thickness



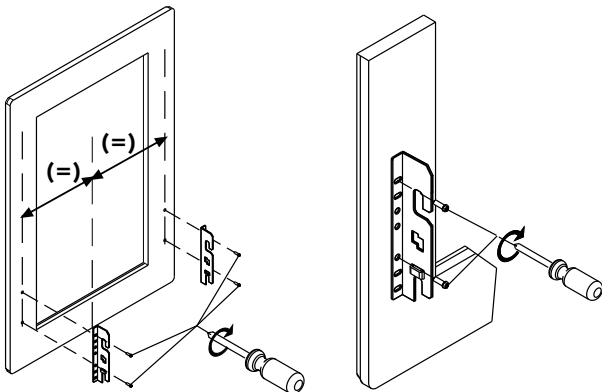
1/A) FISSAGGIO GUIDA AL FIANCO DEL MOBILE  
 Fix the rail onto the cabinet side



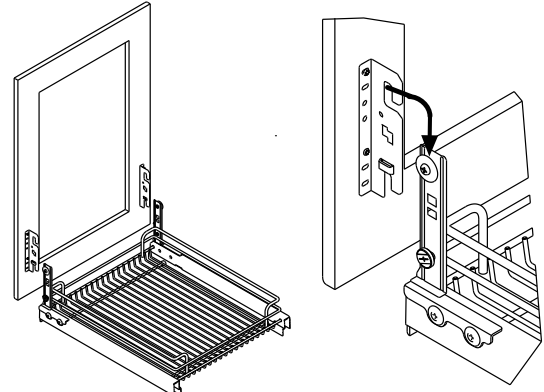
1/B) FISSAGGIO GUIDA ALLA BASE DEL MOBILE  
 Fix the rail at the cabinet base



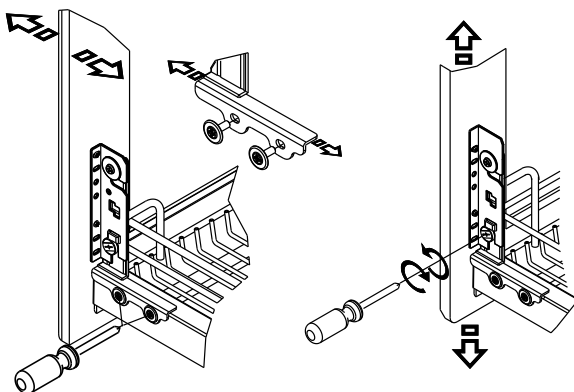
2) INSERIMENTO CESTO, SENZA ANTA.  
 Insert the basket in the cabinet, without the door



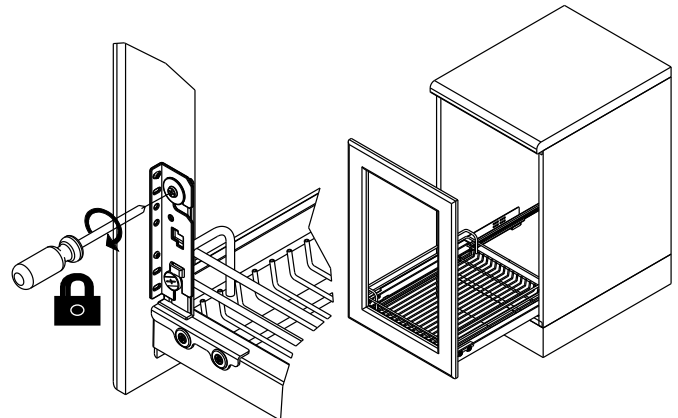
3) FISSAGGIO STAFFE SU ANTA.  
 Fix the brackets onto the door



4) MONTAGGIO ANTA CON STAFFE SU CESTO.  
 Mount the door with the brackets onto the basket



5) REGOLAZIONE ANTA.  
 Adjust the door onto the basket



6) BLOCCAGGIO E FINE MONTAGGIO.  
 Final tighten



# Wirework

## 1/2 CAROUSEL - 2 baskets, chrome

### Features:

- Minimum cabinet width: 900mm
- For corner cabinet
- 2 x chrome wire baskets
- Pole fitting
- Dimensions: 750 (Diameter) x 670-720mm (H)
- 15kg loading capacity
- Minimum door size: 450mm



### CODE

### DESCRIPTION

JSWIVEL08

1/2 CAROUSEL

## 3/4 CAROUSEL - 2 baskets, chrome

### Features:

- Cabinet size: 900 x 900mm
- For corner cabinet
- 2 x chrome wire baskets
- Pole fitting
- Dimensions: 710 (Diameter) x 670-720mm (H)
- 15kg loading capacity



### CODE

### DESCRIPTION

JSWIVEL07

3/4 CAROUSEL